



TVL1000 II™

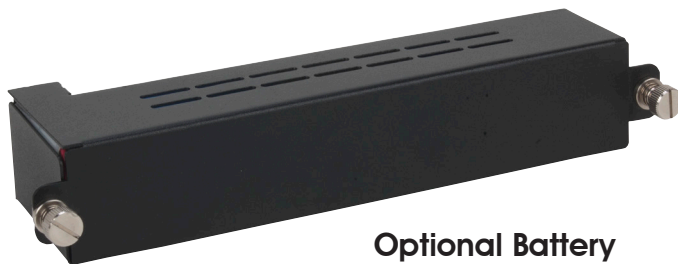
SKU# **TVL613** - **PRELIMINARY SPECIFICATIONS**

The new improved TVL1000 II™ features a low heat, >90CRI, dynamic LED array panel consisting of 200 warm white and 200 cool white LEDs, 30° beam angle, variable manual and DMX controlled color temperature (3,200K - 6,500K) and dimming, adjustable barn doors, magnetic gel/diffuser holder, flicker free operation for broadcast TV and FILM, 3 and 5 pin DMX in/out and linkable power in/out connections, (4) button (2) dial LCD display control panel, 68W max power consumption, and a multi-voltage universal auto switching power supply (100-240v).



FEATURES

- Low Heat, >90CRI, Dynamic LED Array Panel
- (200) Warm White and (200) Cool White LEDs
- 30° Beam Angle
- Variable Color Temperature (3,200K - 6,500K)
- Adjustable Barn Doors
- Magnetic Gel/Diffuser Holder
- Manual and DMX Controlled Color Temp and Dimming
- Flicker Free Operation for Broadcast TV and FILM
- Multiple Unit Power Linking
- 68W Max Power Consumption



Optional Battery

Specifications are subject to change without notice ©Elation Professional

Elation Professional USA | 6122 S. Eastern Ave. | Los Angeles, CA. 90040
323-582-3322 | 323-832-9142 fax | www.elationlighting.com | info@elationlighting.com

Elation Professional B.V. | Junostraat 2 | 6468 EW Kerkrade, Netherlands
+31 45 546 85 66 | +31 45 546 85 96 fax | www.elationlighting.eu | info@elationlighting.eu

PRODUCT SPECIFICATIONS

FEATURES

- Low Heat, >90CRI Dynamic LED Array Panel
- 30° Beam Angle
- Variable Color Temperature Settings (3,200K - 6,500K)
- Adjustable Barn Doors
- Magnetic Gel/Diffuser Holder
- Manual and DMX Controlled Color Temp and Dimming
- Flicker Free Operation for Broadcast TV and FILM
- Multiple Unit Power Linking

SOURCE

(200) Warm White + (200) Cool White LEDs

PHOTOMETRIC DATA

- 340 LUX 32 FC @6.6' (2M) (30° Warm White 3,200K)
- 420 LUX 39 FC @6.6' (2M) (30° Cool White 6,500K)
- 600 LUX 56 FC @6.6' (2M) (30° Full On 4,500-5,000K)

EFFECTS

- Variable Color Temperature (3,200K - 6,500K)
- Electronic Dimming (0% - 100%)

CONTROL / CONNECTIONS

- (3) DMX Channel Modes (2/2/3)
- Manual and DMX Color Temperature and Dimming
- (4) Button and (2) Dial Control Panel
- LCD Menu Display
- 3pin and 5pin DMX In/Out
- Power Link Up To (5) Units

SIZE / WEIGHT

- Length: 15.9" (406mm)
- Width: 13.7" (350mm)
- Vertical Height: 4.4" (113mm)
- Weight: 13.6 lbs. (6.2 kg)

ELECTRICAL / THERMAL

- AC 100-240V - 50/60Hz
- 68W Max Power Consumption
- TA: 40°C Max Ambient Temperature

APPROVALS / RATINGS

- CE Approved
- cETLus Approved
- RoHs Compliant

INSTALLATION

- Rigging: Clamp or Stand (Not Included)
- Working Position: Any (360°)

INCLUDED ITEMS

- 180° Dual / Yoke Bracket
- Power Cable

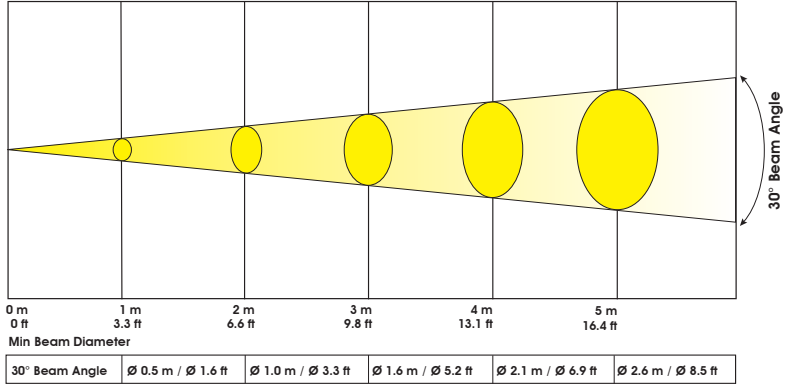


Magnetic Gel/Diffuser Holder

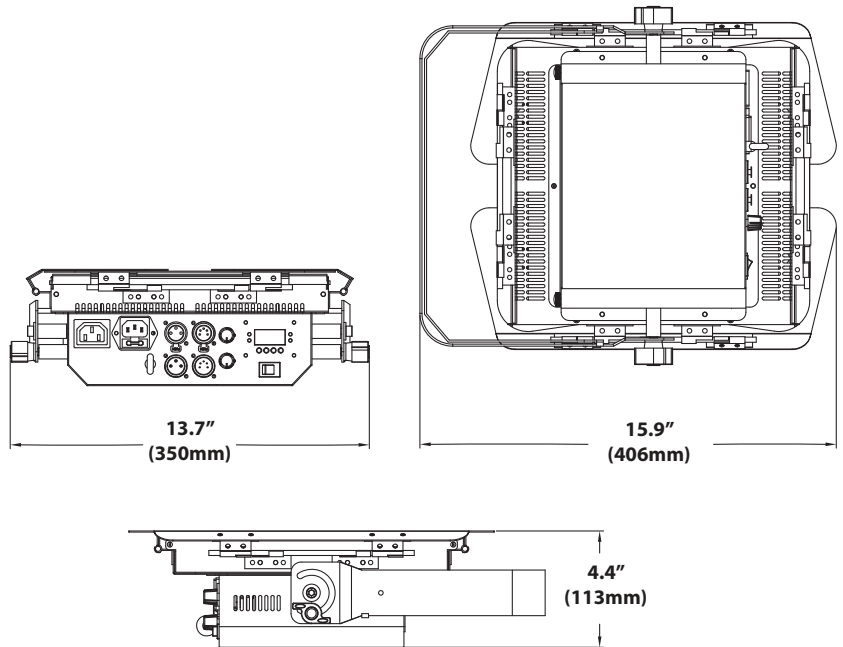
PHOTOMETRIC DATA

| | | | | | |
|----------------------|-------------------|-----------------|-----------------|-----------------|-----------------|
| WARM WHITE (3200K) | 111 FC / 1200 LUX | 32 FC / 340 LUX | 15 FC / 160 LUX | 9 FC / 95 LUX | 6 FC / 66 LUX |
| COOL WHITE (6500K) | 143 FC / 1540 LUX | 39 FC / 420 LUX | 19 FC / 200 LUX | 11 FC / 116 LUX | 10 FC / 110 LUX |
| FULL ON (4500-5000K) | 204 FC / 2200 LUX | 56 FC / 600 LUX | 25 FC / 270 LUX | 15 FC / 160 LUX | 8 FC / 85 LUX |

LUX x 0.0929 = FC



DIMENSIONAL DIAGRAMS



OPTIONAL ACCESSORIES

| ORDER CODE | ITEM |
|---------------|-----------------------------------------------|
| TRIGGER CLAMP | Heavy Duty Wrap Around Hook Clamp |
| TVL975 | TLV1000 BATTERY |
| LSF536 | Light Shaping Filter 30° 20" x 24" Sheet |
| LSF537 | Light Shaping Filter 20° 20" x 22" Sheet |
| LSF538 | Light Shaping Filter 60° x 1° 20" x 24" Sheet |
| LSF559 | Light Shaping Filter 10° 20" x 24" Sheet |
| ECCOM-10 | Power Link Cables |
| AC3PDMX10PRO | 10 ft. (3m) 3pin PRO DMX Cable |
| AC3PDMX25PRO | 25 ft. (7.5m) 3pin PRO DMX Cable |
| AC3PDMX50PRO | 50 ft. (15.2m) 3pin PRO DMX Cable |
| AC5PDMX10PRO | 10 ft. (3m) 5pin PRO DMX Cable |
| AC5PDMX25PRO | 25 ft. (7.5m) 5pin PRO DMX Cable |
| AC5PDMX50PRO | 50 ft. (15.2m) 5pin PRO DMX Cable |



Specifications are subject to change without notice ©Elation Professional

Elation Professional USA | 6122 S. Eastern Ave. | Los Angeles, CA. 90040
323-582-3322 | 323-832-9142 fax | www.elationlighting.com | info@elationlighting.com

Elation Professional B.V. | Junostraat 2 | 6468 EW Kerkrade, Netherlands
+31 45 546 85 66 | +31 45 546 85 96 fax | www.elationlighting.eu | info@elationlighting.eu