

PLATINUM WASH 16R PRO™

user manual 1.0

©2014 **ELATION PROFESSIONAL** all rights reserved. Information, specifications, diagrams, images, and instructions herein are subject to change without notice. ELATION PROFESSIONAL logo and identifying product names and numbers herein are trademarks of ELATION PROFESSIONAL. Copyright protection claimed includes all forms and matters of copyrightable materials and information now allowed by statutory or judicial law or hereinafter granted. Product names used in this document may be trademarks or registered trademarks of their respective companies and are hereby acknowledged. All non-ELATION brands and product names are trademarks or registered trademarks of their respective companies.

ELATION PROFESSIONAL and all affiliated companies hereby disclaim any and all liabilities for property, equipment, building, and electrical damages, injuries to any persons, and direct or indirect economic loss associated with the use or reliance of any information contained within this document, and/or as a result of the improper, unsafe, insufficient and negligent assembly, installation, rigging, and operation of this product.

Elation Professional USA | 6122 S. Eastern Ave. | Los Angeles, CA. 90040

323-582-3322 | 323-832-9142 fax | www.elationlighting.com | info@elationlighting.com

Elation Professional B.V. | Junostraat 2 | 6468 EW Kerkrade, Netherlands

+31 45 546 85 66 | +31 45 546 85 96 fax | www.elationlighting.eu | info@elationlighting.eu

CONTENTS

General Information	4
Warranty	6
Safety Instructions	7
General Guidelines	8
Discharge Lamp Warning	9
Fixture Overview	10
Lamp Installation Instructions	11
Fixture Installation	19
Understanding DMX	22
Fixture Menu	27
DMX Channel Functions And Values	36
Error Codes	40
Cleaning and Maintenance	42
Technical Specifications	43
Optional Accessories	46

GENERAL INFORMATION

INTRODUCTION

Congratulations, you have just purchased one of the most innovative and reliable lighting fixtures on the market today! The **PLATINUM WASH 16R PRO™** has been designed to perform reliably for years when the guidelines in this booklet are followed. Please read and understand the instructions in this manual carefully and thoroughly before attempting to operate this unit. These instructions contain important information regarding safety during use and maintenance.

UNPACKING

Thank you for purchasing the **PLATINUM WASH 16R PRO™** by Elation Professional®. Every **PLATINUM WASH 16R PRO™** has been thoroughly tested and has been shipped in perfect operating condition. Carefully check the shipping carton for damage that may have occurred during shipping. If the carton appears to be damaged, carefully inspect your unit for damage and be sure all accessories necessary to operate the unit have arrived intact. In the event damage has been found or parts are missing, please contact our customer support team for further instructions. Please do not return this unit to your dealer without first contacting customer support at the number listed below. Please do not discard the shipping carton in the trash. Please recycle whenever possible.

BOX CONTENTS

- (2) Omega Brackets
- (1) 3pin DMX Cable
- (1) powerCON Cable
- (1) Safety Cable
- Manual & Warranty Card



MANUAL UPDATES

Please check www.elationlighting.com for the latest updated version of this manual.

CUSTOMER SUPPORT

Elation Professional® provides a customer support line, to provide set up help and to answer any question should you encounter problems during your set up or initial operation. You may also visit us on the web at www.elationlighting.com for any comments or suggestions. For service related issue please contact Elation Professional®.

ELATION SERVICE USA - Monday - Friday 8:00am to 5:00pm PST

Voice: 323-582-3322

Fax: 323-832-9142

E-mail: support@elationlighting.com

ELATION SERVICE EUROPE - Monday - Friday 08:30 to 17:00 CET

Voice: +31 45 546 85 30

Fax: +31 45 546 85 96

E-mail: support@elationlighting.eu

WARRANTY REGISTRATION

The **PLATINUM WASH 16R PRO™** carries a two-year (730 days) limited warranty. Please fill out the enclosed warranty card to validate your purchase. All returned service items whether under warranty or not, must be freight pre-paid and accompany a return authorization (R.A.) number. The R.A. number must be clearly written on the outside of the return package. A brief description of the problem as well as the R.A. number must also be written down on a piece of paper and included in the shipping container. If the unit is under warranty, you must provide a copy of your proof of purchase invoice. Items returned without a R.A. number clearly marked on the outside of the package will be refused and returned at customer's expense. You may obtain a R.A. number by contacting customer support at 323-582-3322.



IMPORTANT NOTICE!

There are no user serviceable parts inside this unit. Do not attempt any repairs yourself; doing so will void your manufactures warranty. Damages resulting from modifications to this fixture and/or the disregard of safety and general user instructions found in this user manual void the manufactures warranty and are not subject to any warranty claims and/or repairs.

2 - YEAR LIMITED WARRANTY

- A. Elation Professional® hereby warrants, to the original purchaser, Elation Professional® products to be free of manufacturing defects in material and workmanship for a period of two years, (730 days) from the date of purchase. This warranty shall be valid only if the product is purchased within the United States of America, including possessions and territories. It is the owner's responsibility to establish the date and place of purchase by acceptable evidence, at the time service is sought.
- B. For warranty service, send the product only to the Elation Professional® factory. All shipping charges must be pre-paid. If the requested repairs or service (including parts replacement) are within the terms of this warranty, Elation Professional® will pay return shipping charges only to a designated point within the United States. If the entire instrument is sent, it must be shipped in its original package. No accessories should be shipped with the product. If any accessories are shipped with the product, Elation Professional® shall have no liability what so ever for loss of or damage to any such accessories, nor for the safe return thereof.
- C. This warranty is void if the serial number has been altered or removed; if the product is modified in any manner which Elation Professional® concludes, after inspection, affects the reliability of the product; if the product has been repaired or serviced by anyone other than the Elation Professional® factory unless prior written authorization was issued to purchaser by Elation Professional®; if the product is damaged because not properly maintained as set forth in the instruction manual.
- D. This is not a service contract, and this warranty does not include maintenance, cleaning or periodic check-up. During the period specified above, Elation Professional® will replace defective parts at its expense, and will absorb all expenses for warranty service and repair labor by reason of defects in material or workmanship. The sole responsibility of Elation Professional® under this warranty shall be limited to the repair of the product, or replacement thereof, including parts, at the sole discretion of Elation Professional®. All products covered by this warranty were manufactured after January 1, 1990, and bare identifying marks to that effect.
- E. Elation Professional® reserves the right to make changes in design and/or improvements upon its products without any obligation to include these changes in any products theretofore manufactured.
- F. No warranty, whether expressed or implied, is given or made with respect to any accessory supplied with products described above. Except to the extent prohibited by applicable law, all implied warranties made by Elation Professional® in connection with this product, including warranties of merchantability or fitness, are limited in duration to the warranty period set forth above. And no warranties, whether expressed or implied, including warranties of merchantability or fitness, shall apply to this product after said period has expired. The consumer's and or Dealer's sole remedy shall be such repair or replacement as is expressly provided above; and under no circumstances shall Elation Professional® be liable for any loss or damage, direct or consequential, arising out of the use of, or inability to use, this product.
- G. This warranty is the only written warranty applicable to Elation Professional® Products and supersedes all prior warranties and written descriptions of warranty terms and conditions heretofore published.

SAFETY INSTRUCTIONS



The **PLATINUM WASH 16R PRO™** is an extremely sophisticated piece of electronic equipment. To guarantee a smooth operation, it is important to follow the guidelines in this manual. The manufacturer of this device will not accept responsibility for damages resulting from the misuse of this fixture due to the disregard of the information printed in this manual.



This device falls under **PROTECTION CLASS 1**. It's essential this device be grounded properly. Only qualified personnel should perform all electrical connections.



CAUTION!

Never touch the device during operation!
The housing may heat up



CAUTION!

Never look directly into the light source,
as sensitive persons may suffer an epileptic shock.



CAUTION!

Keep this device away from rain and moisture !



CAUTION!

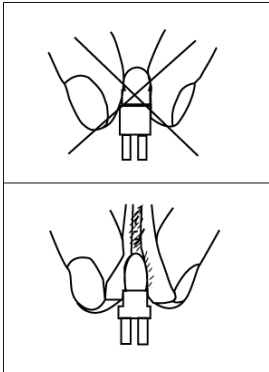
Unplug mains lead before opening the housing.

- For proper operation, follow the **Installation** guidelines described in this manual. Only qualified and certified personnel should perform installation of this fixture and only the original rigging parts (brackets) included with this fixture should be used for installation. Any modifications will void the original manufacturer's warranty and increase the risk of damage and/or personal injury.
- Never look directly into the light source of this fixture to prevent risk of injury to your retina, which may induce blindness. Those suffering from **EPILEPSY** should avoid looking directly into the light source of this unit at all times.
- The fan and air inlets must remain clean and never blocked. Allow approx. 6" (15cm) between this fixture and other devices or a wall for proper cooling.
- Always disconnect from main power source before performing any type of service and/or cleaning procedure. Only handle the power cord by the plug end, never pull out the plug by tugging the wire portion of the cord.
- Do not operate this fixture if the power cord has become frayed, crimped and/or damaged. If the power cord is damaged, replace it immediately with a new one of similar power rating.

GENERAL GUIDELINES


- **NEVER OPEN THIS FIXTURE WHILE IN USE!**
- During the initial operation of this fixture, a light smoke or smell may emit from the interior of the fixture. This is a normal process and is caused by excess paint in the interior of the casing burning off from the heat associated with the lamp and will decrease gradually over time.
- This fixture is a professional lighting effect designed for **INDOOR / DRY LOCATIONS ONLY** on stage, in nightclubs, theatres, etc.
- Please make sure there are **NO FLAMMABLE MATERIALS** close to the fixture while operating, to prevent any fire hazard.
- **Minimum** distance to lighted objects must be **16.4 feet (5m)**.
- **Maximum** temp of the external surface **194°F (90°C)**.
- **Minimum** distance of inflammable materials from the surface **1.6 feet (0.5m)**.
- The fixture must be installed in a location with adequate ventilation, at least 1.5 feet (.5m) from adjacent surfaces. Be sure no air ventilation slots are blocked.
- **DO NOT** attempt installation and/or operation without knowledge how to do so.
- **DO NOT** allow operation by persons who are not qualified to operate this type of fixture. Most damages are the result of operations by nonprofessionals.
- Consistent operational breaks may ensure the fixture will function properly for many years to come.
- **DO NOT** shake fixture, avoid brute force when installing and/or operating fixture.
- Always install the fixture with an appropriate safety cable. When installing the fixture in a suspended environment, always use mounting hardware that is no less than M10 x 25 mm, also be sure the hardware is insert in the pre-arranged screw holes in the bracket of the fixture.
- Use the original packaging and materials to transport the fixture in for service.
- **DO NOT TOUCH** the housing bare-hand during its operation. Turn OFF the power and allow approximately 15 minutes for the fixture to cool down before replacing or serving.

DISCHARGE LAMP WARNING



This fixture is fitted with a DISCHARGE LAMP, which is highly susceptible to damage if improperly handled. NEVER touch the lamp with your bare hands, as the oil from your hands will shorten the life of the lamp. Also, NEVER move the fixture until the lamp has had ample time to cool. Lamps are NOT covered under warranty conditions.

Avoid switching the fixture ON and OFF repeatedly in short intervals, as this will reduce lamp life and intensity. To achieve the intensity associated with discharge lamps, these lamps use gas sealed in a high-pressure environment to emit a brilliant output.

 Due to the high pressure involved with the construction of the lamp, the lamp **MAY EXPLODE DURING PROLONGED EXTENSIVE USE**. This risk is increased with age; added care is encouraged when dealing with older lamps. Thus, the lamp must always be replaced at the end of their recommended duty cycle. Extreme caution should be used when operating this or any fixture fitted with a gas discharge lamp.



U V R A D I A T I O N N O T I C E

This fixture emits intense UV radiation, which is harmful to the eyes and skin. The intense luminance of the lamp can cause severe damage to the retina. NEVER operate this fixture with ANY of the protective covers removed. These covers have been specially designed to shield against UV radiation.

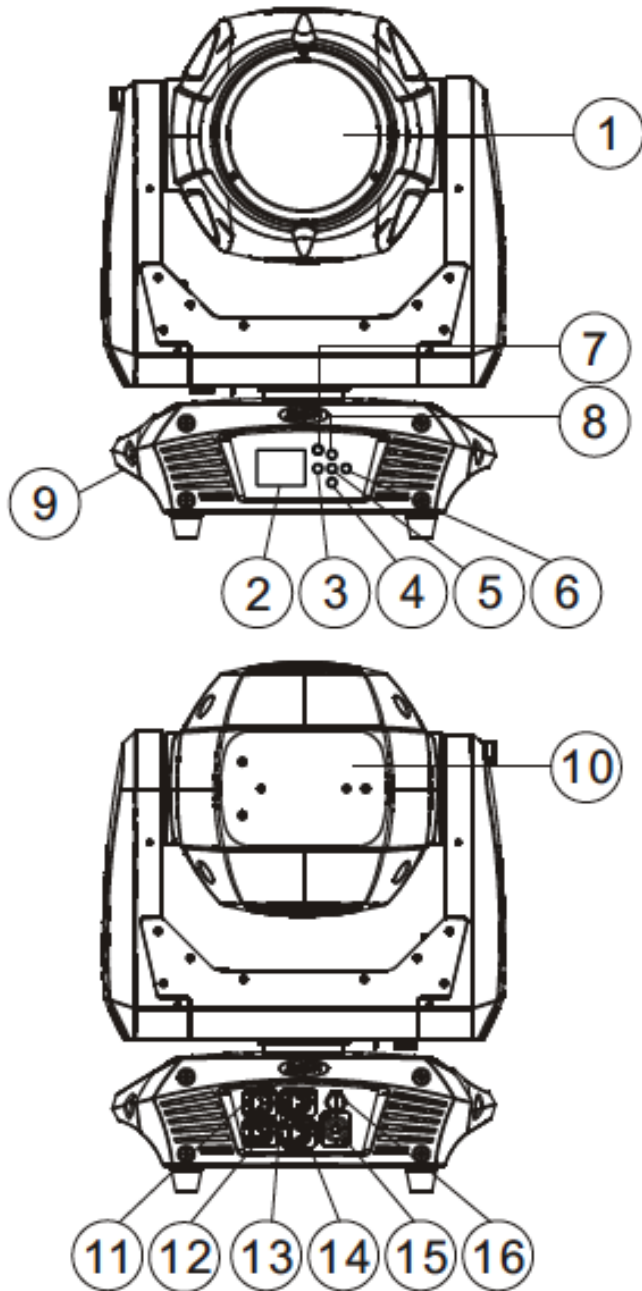


L A M P R E P L A C E M E N T

Please note that due to the nature of the Phillips™ Platinum 16R Lamp and the optical path of the Elation PLATINUM WASH 16R PRO fixture, the lamp **MUST BE** replaced at 1,500 hours.

Use only Genuine Original Phillips™ Platinum 16R lamps. Other brand lamps may cause damage and void warranty!

FIXTURE OVERVIEW



1. LENS
2. LCD Menu Function Display
3. LEFT Button
4. DOWN Button
5. ENTER Button
6. RIGHT Button
7. MODE/ESC Button
8. UP Button
9. Carrying Handle(s)
10. Lamp Access/Cover Panel
11. 3pin DMX IN
12. 3pin DMX OUT
13. 5pin DMX IN
14. 5pin DMX OUT
15. powerCON IN
16. Fuse

LAMP INSTALLATION INSTRUCTIONS



LAMP REPLACEMENT

Please note that due to the nature of the Phillips™ Platinum 16R Lamp and the optical path of the Elation PLATINUM WASH 16R PRO fixture, the lamp **MUST BE** replaced at 1,500 hours.

Use only **Genuine Original Phillips™ Platinum 16R Lamps**. Other brand lamps may cause damage and void warranty!

INSTALLING OR REPLACING THE LAMP

To ensure a proper/safe lamp change, carefully read all the following instructions.

LAMP PROTECTION CIRCUITRY

Because of the nature of the extreme heat associated with the **Phillips™ Platinum 16R PRO** lamp and the tight nature of the internal optical system, it is **IMPERATIVE** that the lamp be replaced every **1,500 Hours**. This is done to protect the internal optical system as well as prevent accidental lamp explosion, which could lead to hot glass particles falling from the fixture.



FAILURE TO CHANGE THE LAMP WITHIN 100 HOURS of the 1,500 HOUR RATED LIFE, WILL CAUSE THE FIXTURE TO AUTOMATICALLY SHUT DOWN!

At **1,400 Hours** the LCD control display will begin to flash, **“Replace The Lamp”** and the lamp will flicker for the first five minutes of operation. At this point the lamp has reached the maximum rated life and should be replaced immediately. After the lamp has flickered for about five minutes it should strike normally allowing the fixture to be used temporarily until a replacement lamp can be installed. The fixture will continue to operate for an additional 100 hours, however the **“Replace the Lamp”** warning will continue to flash in the display. Keep in mind that the flicker protection circuitry will only work for about 100 Hours (lamp clock life of 1,400-1,500 Hours).

After 1,500 Hours the fixture will no longer respond to DMX commands and immediately enter a hibernation mode that will electronically discontinue all fixture functionality with the exception of a few menu commands. The fixture will continue to enter hibernation mode until the lamp is replaced and the lamp clock has been reset. To replace the lamp follow the safety guidelines and procedures listed on the next page.

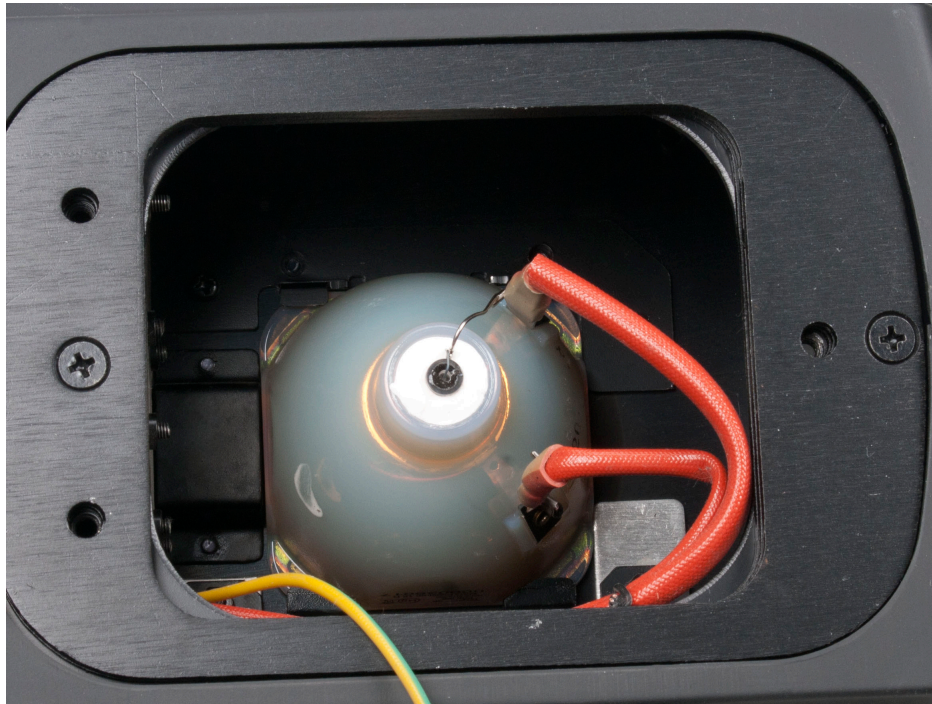
LAMP SAFETY INSTRUCTIONS

- **ALWAYS** replace lamp every 1,500 Hours.
- Use only Genuine Original Phillips™ Platinum 16R lamps. Other brand lamps may cause damage and void the warranty!
- **NEVER** touch the lamp with your bare hands, as the oil from your hands will shorten the life of the lamp.
- Always disconnect the fixture's main power supply before replacing lamp.
- Allow fixture to cool for at least 15 minutes before attempting any type of service.
- Make sure **ALL** covers/panels are replaced/secured before operating the fixture to prevent any risk and/or damage to eye retina from UV Radiation exposure!

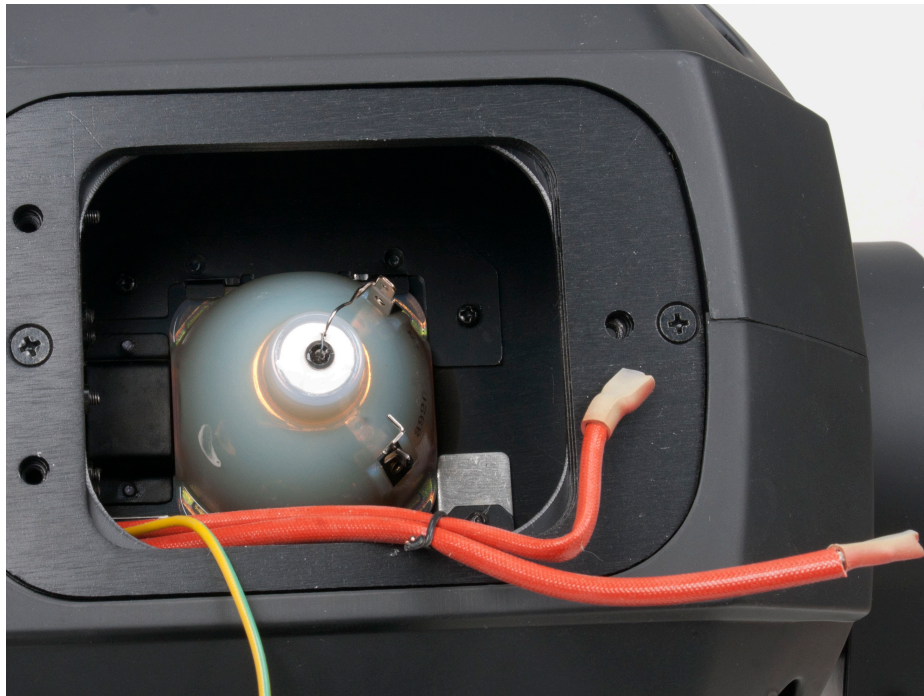
LAMP INSTALLATION PROCEDURE

1. Place fixture on a flat surface and remove **(3)** screws marked "A", "B", and "C", illustrated by the **RED ARROWS** then remove **LAMP COVER PLATE** to access the lamp.





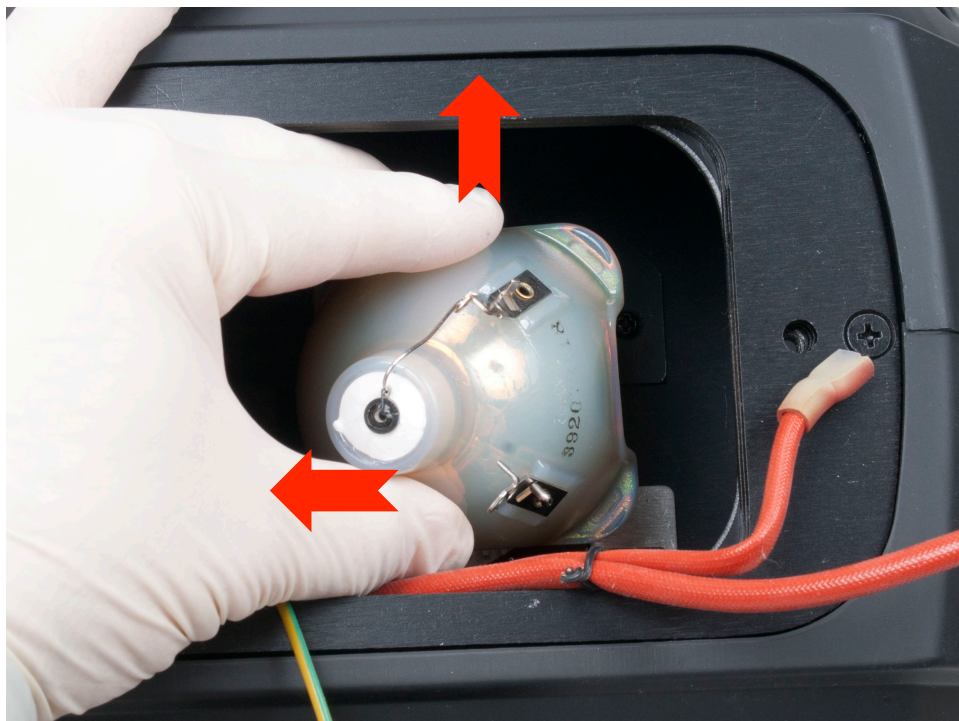
2. Gently remove **(2) Red Wires** connected to spade terminals on base of lamp.

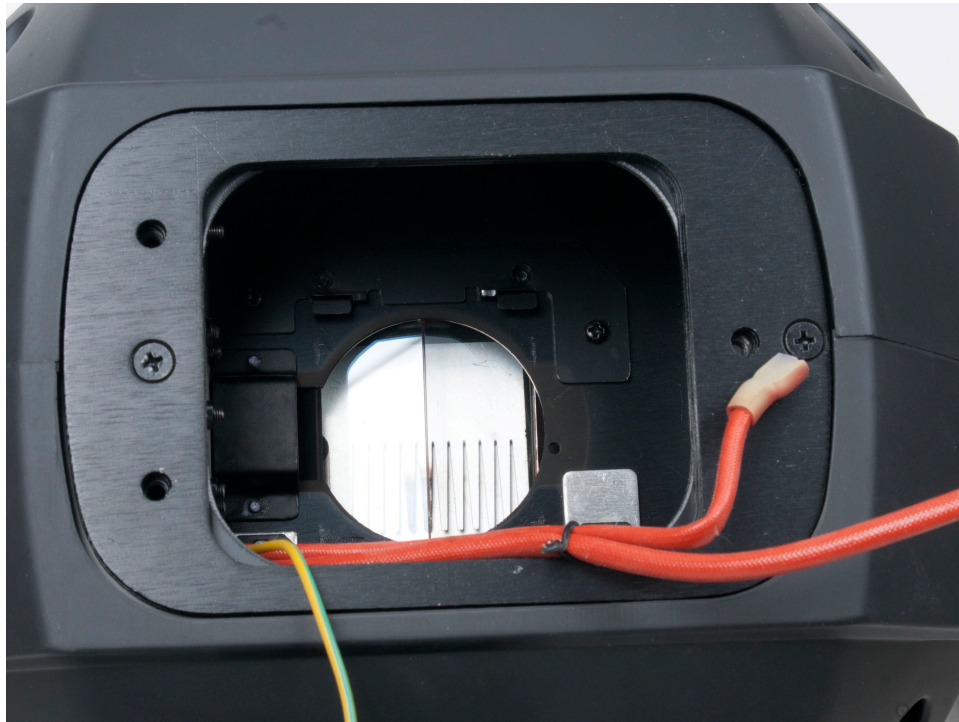


- Using your index and middle fingers, gently push the top of the lamp **DOWNWARD** in the direction illustrated by the **RED ARROW**, to unlock lamp from the top retention bracket.



- Gently remove lamp by lifting **UP** then **OUT** towards you as illustrated by the **RED ARROWS**.

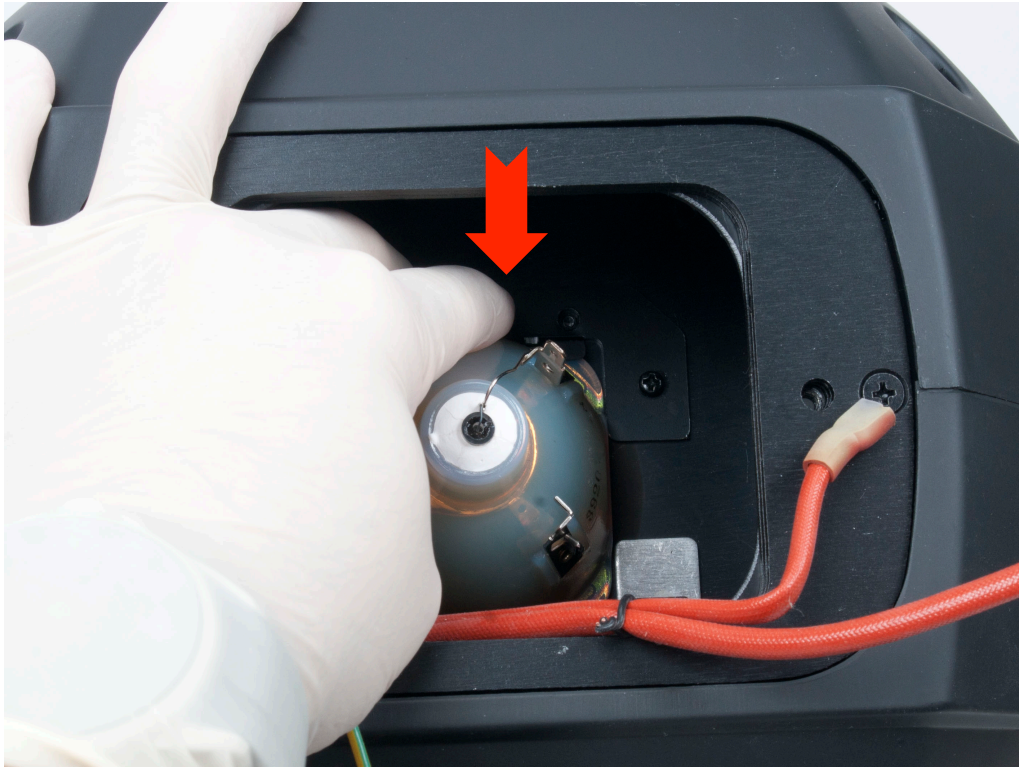




- Using a clean cloth or gloves, gently install the new lamp into the fixture; placing the bottom edge of the lamp first **DOWNWARD** into the bottom retention bracket as illustrated by the **RED ARROWS**.



- Using your index and middle fingers, gently push the top of the lamp **DOWNWARD** in the direction illustrated by the **RED ARROW**, then push the lamp **BACK** towards the base of the fixture to **LOCK** the lamp under the top retention bracket.



- Gently attached **(2) Red Wires** connected to spade terminals on base of lamp.



8. Replace the **LAMP COVER PLATE** back into place by securing (3) screws marked “A”, “B”, and “C” illustrated by the **RED ARROWS**.



9. Be sure to reset the **LAMP HOURS** in the system menu to prevent the protection circuitry from accidentally shutting off the lamp during normal operation.
10. If the lamp protection circuitry has already been initiated and the **LAMP HOURS** is not reset, the “**Replace the Lamp**” warning will continue to flash and fixture will eventually shut down. To reset **LAMP HOURS**, see instructions on the next page.

LAMP HOURS RESET PROCEDURE

1. Activate the main menu by pressing **MODE/ESC** and toggle to “**Information**”.
2. Press **ENTER** and press **UP** or **DOWN** to toggle to “**Time Information**”.
3. Press **UP** or **DOWN** to toggle to “**L-Timer Password**” and press **ENTER**. Then press **UP** or **DOWN** to enter the reset pass code, “**038**” and press **ENTER** to confirm. The display will automatically revert to “**L-Timer Password**”, next press **UP** or **DOWN** to toggle down to “**Clear Lamp Time**”.
4. Press **ENTER** and select “**ON**”. The lamp timer has now been reset, press **MODE/ESC** to exit the menu and return to the home screen.

LAMP OPTIMIZATION

Unlike traditional discharge lamps the **Phillips™ Platinum 16R Lamp** does **NOT** require optimization. The lamp orientation and optimization procedure has been preset during the manufacturing process of the lamp. Please remember the **Phillips™ Platinum 16R Lamp** is **NOT** a hot-restrike lamp therefore, you must wait approximately **15 minutes** before you can attempt to restrike the lamp once it has been turned off.

FIXTURE INSTALLATION



CAUTION!

Please consider the GB7000.15/EN60598-2-17 and the other respective national norms during the installation. The installation must only be carried out by a qualified person.



CAUTION!

The electric connection must only be carried out by a qualified electrician.



CAUTIONS

- For added protection, mount the fixture in areas outside walking paths, seating areas, or in areas where unauthorized personnel might reach the fixture.
- Ambient operating temperature range for this fixture is **14° to 113°F. (-10° to 45°C)**. Do not use the fixture under or above this temperature.
- Before mounting the fixture to any surface, make sure the installation area can hold a minimum point load of 10 times the weight of the fixture. **(420 lbs / 191 kg)**
- Fixture installation must always be secured with a secondary safety attachment, such as an appropriate safety cable.
- Never stand directly below the device when mounting, removing or servicing.



W A R N I N G

MINIMUM distance to lighted objects must be 16.5 feet (5m)

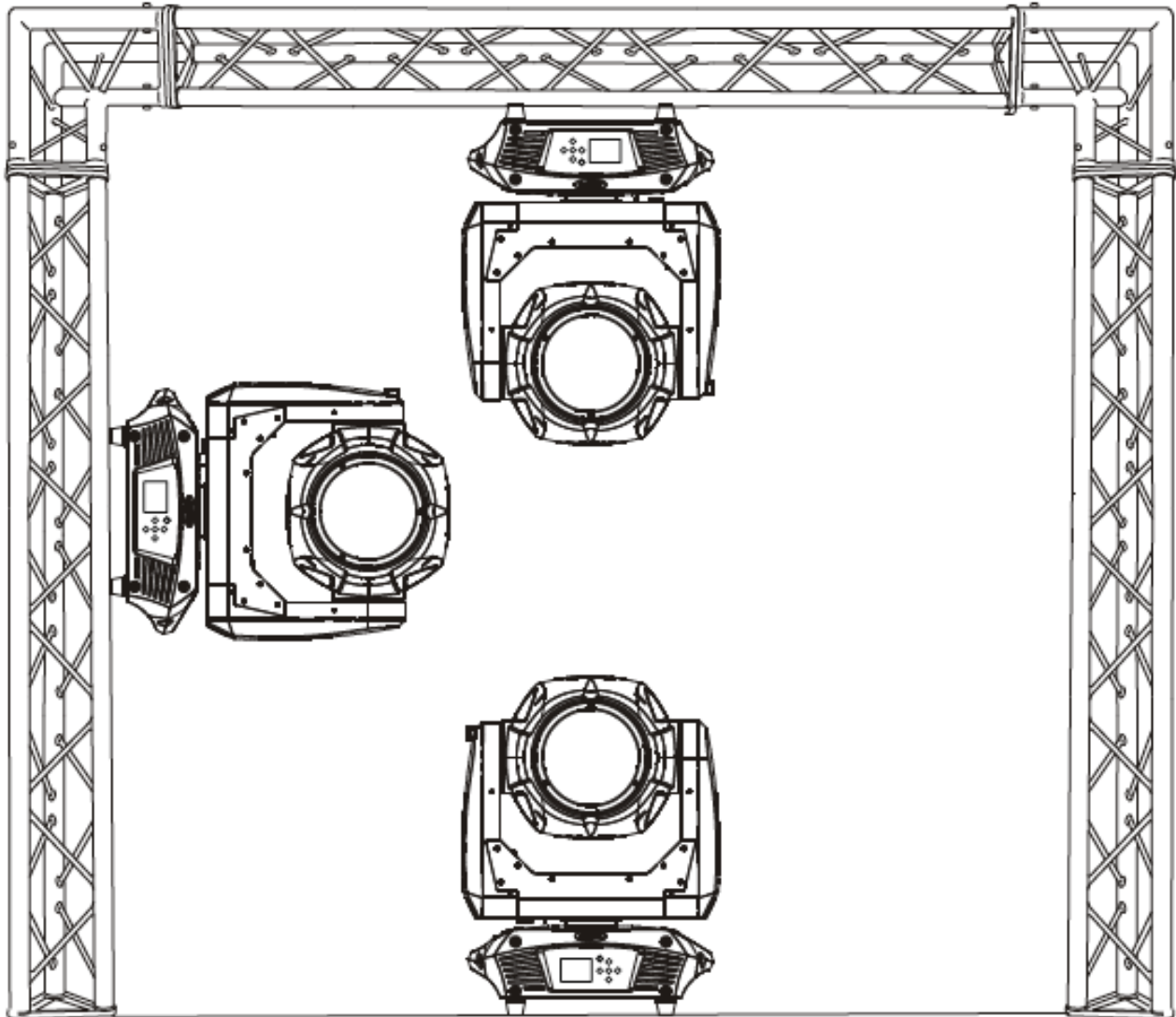
MAXIMUM temperature of external surface 194° F (90° C)

MINIMUM distance of inflammable materials from surface 1.6 feet (0.5m)

Keep fixture at least 1.5 feet (1.5m) away from any flammable materials, decorations, pyrotechnics, etc.

MOUNTING POINTS

- Overhead mounting requires extensive experience, including amongst others calculating working load limits, installation material being used, and periodic safety inspection of all installation material and the device. If you lack these qualifications, do not attempt the installation yourself. Improper installation can result in bodily injury.
- Fixture is fully operational in the specific mounting positions as illustrated below.

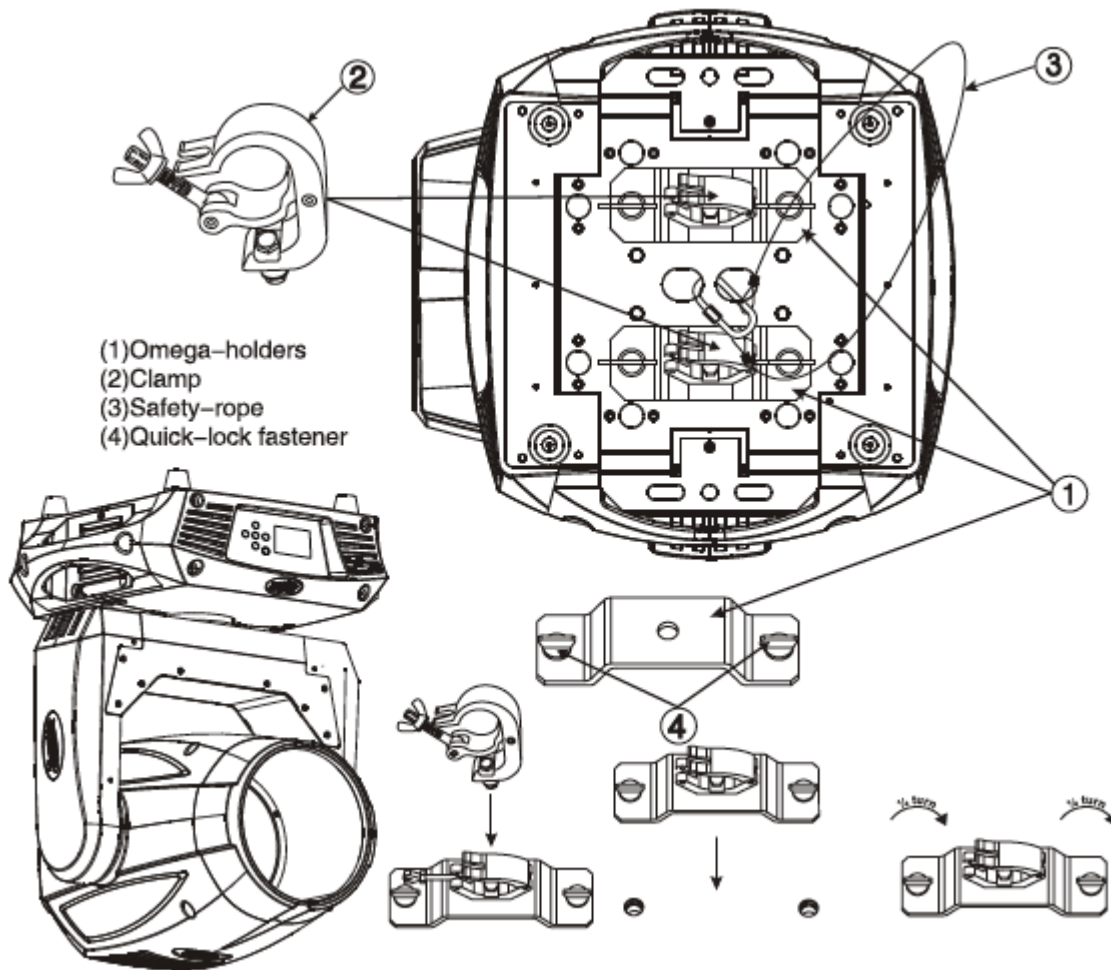


SAFETY CABLE

Always use a Safety Cable whenever installing this fixture in a suspended environment to ensure the fixture will not drop if the clamp fails.

CLAMP MOUNTING

The **PLATINUM WASH 16R PRO™** provides a unique mounting bracket assembly that integrates the bottom of the base, the included **Omega Brackets (x2)** and safety cable rigging point in one unit (see the illustration below). When mounting this fixture to truss be sure to secure an appropriately rated clamps to the included omega brackets using a M10 screw fitted through the center hole of the **Omega Bracket**. Be sure to attach the included **Safety Cable** to the fixture using the safety cable rigging point integrated in the base assembly.



SECURING

Regardless of the rigging option you choose for your **PLATINUM WASH 16R PRO™** always be sure to secure your fixture with a safety cable. The fixture provides a built-in rigging point for a safety cable on the hanging bracket as illustrated above. Be sure to only use the designated rigging point for the safety cable and never secure a safety cable to a carrying handle.

UNDERSTANDING DMX

DMX-512

DMX is short for Digital Multiplex. This is a universal protocol used by most lighting and controller manufactures as a form of communication between intelligent fixtures and controllers. DMX allows all makes and models of different manufactures to be linked together and operate from a single controller. This is possible as long as all the fixtures and the controller are DMX compliant. A DMX controller sends the DMX data instructions to the fixture allowing the user to control the different aspects of an intelligent light. DMX data is sent out as serial data that travels from fixture to fixture via data "IN" and data "OUT" XLR terminals located on the fixtures (most controllers will only have output jacks).

DMX LINKING

To ensure proper DMX data transmission, always use proper DMX cables and a terminator. When using several DMX fixtures try to use the shortest cable path possible. Never split a DMX line with a "Y" style connector. The order in which the fixtures are connected in a DMX line does not influence the DMX addressing. For example; a fixture assigned a starting DMX address of 1 may be placed anywhere in the DMX chain, at the beginning, at the end, or anywhere in the middle. The DMX controller knows to send data assigned to address 1 to that fixture no matter where it is located in the DMX chain. The **PLATINUM WASH 16R PRO™** can be controlled via DMX-512 protocol and the DMX address is set via the control menu.

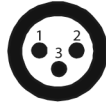
DATA CABLE (DMX Cable) REQUIREMENTS (For DMX and Master/Slave Operation)

Your fixture and your DMX controller require a standard 3pin or 5pin XLR connector for data input and data output (see figure below). If you are making your own cables, be sure to use two conductor, shielded digital DMX cable rated at 120 ohms; this cable is designed for DMX transmission and may be purchased from your Elation dealer or at most professional lighting retailers. Your cables should be made with a male and female XLR connector on either end of the cable. Also, remember that a DMX line must be daisy chained and cannot be split, unless using an approved DMX splitter such as **Elation's Opto Branch 4™, Opto Branch 8™, or DMX-Branch/4™**.

DMX Output
3-Pin XLR Socket



DMX Input
3-Pin XLR Socket

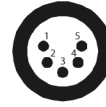


- 1: Ground
- 2: Data (-)
- 3: Data (+)


DMX Output
5-Pin XLR Socket



DMX Input
5-Pin XLR Socket



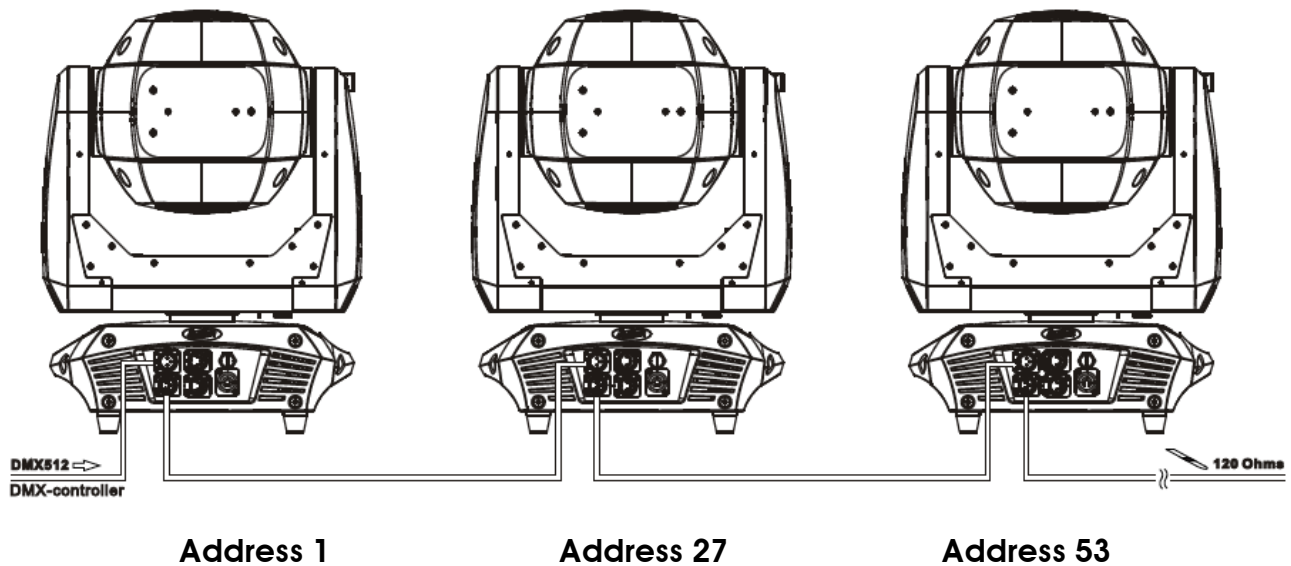
- 1: Ground
- 2: Data (-)
- 3: Data (+)
- 4: Open
- 5: Open



Be sure to follow the above figure when making your own cables. Do not use the ground lug on the XLR connector. Do not connect the cable's shield conductor to the ground lug or allow the shield conductor to come in contact with the XLR outer casing. Grounding the shield could cause a short circuit and erratic behavior.

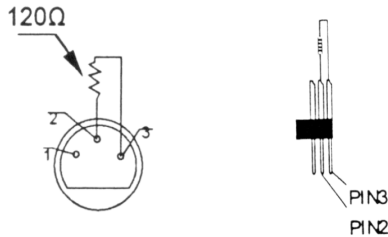
DMX-512 CONTROLLER CONNECTION

Connect the provided XLR cable to the female XLR output of your controller and the other side to the male XLR input of the **PLATINUM WASH 16R PRO™**. The diagram below illustrates a typical DMX-512 connection when the fixture is in the **26 Channel Extended Mode**. You can chain multiple panels together through serial linking. The cable that should be used is two conductor, shielded DMX cable with XLR input and output connectors. Always be sure daisy chain your in and out data connections, never split or "Y" your DMX connections unless you are using an approved DMX splitter such as **Elation's Opto Branch 4™, Opto Branch 8™, or DMX-Branch/4™**.



DMX-512 CONNECTION WITH DMX TERMINATOR

A DMX terminator should be used in all DMX lines especially in longer runs. The use of a terminator may avoid erratic behavior in your DMX line. A terminator is a 120 ohm 1/4 watt resistor that is connected between pins 2 and 3 of a male XLR connector (DATA + and DATA -). This fixture is inserted in the female XLR connector of the last fixture in your daisy chain to terminate the line. Using a line terminator will decrease the possibilities of erratic behavior.



Termination reduces signal errors and avoids signal transmission problems and interference. It is always advisable to connect a DMX terminal, (Resistance 120 Ohm 1/4 W) between PIN 2 (DMX-) and PIN 3 (DMX +) of the last fixture.

5pin XLR DMX CONNECTORS

Some manufactures use 5pin XLR connectors for DATA transmission in place of 3pin. 5pin XLR fixtures may be implemented in a 3pin XLR DMX line. When inserting standard 5pin XLR connectors in to a 3pin line a cable adaptor must be used, these adaptors are readily available at most electric stores. The following chart details a proper cable conversion.

3-Pin XLR to 5-Pin XLR Conversion		
Conductor	3-Pin XLR Female (Out)	5-Pin XLR Male (In)
Ground/Shield	Pin 1	Pin 1
Data Compliment (- signal)	Pin 2	Pin 2
Data True (+ signal)	Pin 3	Pin 3
Not Used		Pin 4 - Do Not Use
Not Used		Pin 5 - Do Not Use

DMX ADDRESSING

All fixtures should be given a DMX starting address when using a DMX controller, so the correct fixture responds to the correct control signal. This digital starting address is the channel number from which the fixture starts to “listen” to the digital control information sent out from the DMX controller. The allocation of this starting DMX address is achieved by setting the correct DMX address on the digital display located on the back of the fixture.

You can set the same starting address for all fixtures or a group of fixtures, or set different address for each individual fixture. Be advised that setting all fixtures to the same DMX address will subsequently control all fixtures in the same fashion, in other words, changing the settings of one channel will affect all the fixtures simultaneously.

If you set each fixture to a different DMX address, each unit will start to “listen” to the channel number you have set, based on the quantity of control channels (DMX channels) of each fixture. That means changing the settings of one channel will only affect the selected fixture.

In the case of the **PLATINUM WASH 16R PRO™**, when in the **26 Channel Extended Mode** you should set the starting DMX address of the first unit to 1, the second unit to 27 (26 + 1), the third unit to 53 (27 + 26), and so on.

Note: During start-up the **PLATINUM WASH 16R PRO™** will automatically detect whether a DMX data signal is being received or not. If DMX data signal is being received, the display will show "**Addr=XXX**" (**XXX** representing the actual DMX address). If the fixture is not receiving a DMX signal the display will flash. If your fixture is connected to a DMX controller and the display is flashing (not receiving a DMX signal), please check the following:

- The 3pin or 5pin XLR input plug (cable with DMX signal from controller) is not connected or is not inserted completely into the DMX input jack of the fixture.
- The DMX controller is switched off or defective.
- The DMX cable or connector is defective.
- A DMX terminator has been inserted into the last fixture in your DMX chain.

FIXTURE MENU

ON-BOARD SYSTEM MENU

The **PLATINUM WASH 16R PRO™** comes with an easy to navigate system menu. The next section will detail the functions of each command in the system menu.

LCD MENU CONTROL PANEL

The control panel (see image below) located on back of the fixture allows you to access the main menu and make all necessary adjustments to the **PLATINUM WASH 16R PRO™**. During normal operation, pressing **MODE/ESC** button once will access the fixture's main menu. Once in the main menu you can navigate through the different functions and access the sub-menus with the **UP, DOWN, RIGHT, and LEFT** buttons. Once you reach a field that requires adjusting, press the **ENTER** button to activate that field and use the **UP** and **DOWN** buttons to adjust the field. Pressing the **ENTER** button once more will confirm your setting. You may exit the main menu at any time without making any adjustments by pressing the **MODE/ESC** button.



ELATION© PLATINUM WASH 16R PRO™ SYSTEM MENU					
Specifications are subject to change without any prior written notice.					
MAIN MENU	SUB MENU	OPTIONS / VALUES (Default Settings in BOLD)		DESCRIPTION	
FUNCTION	Set DMX Address	A001~AXXX		DMX Address Setting	
	DMX Value	ALL.....		DMX Value Display	
	Slave Mode	Slave1, Slave2, Slave3		Slave Setting	
	Auto Program	Master / Alone		Auto Program	
INFORMATION	Time Information	Current Time	XXXX (Hours)	Fixture Run Time From Power ON	
		Total Run Time	XXXX (Hours)	Fixture Total Run Time	
		Last Run Time	XXXX (Hours)	Clear Fixture Last Run Time	
		Lamp Hours	XXXX (Hours)	Lamp Total Run Time	
		Lamp Off Time	XXXX (Mintues)	Lamp OFF Time	
		LastRun Password	Password=XXX	Timer Password 038	
		Clean Last Run	ON / OFF	Clear Fixture Last Run Time	
		LampTime Password	Password=XXX	Lamp Password 038	
		Clear Lamp Time	ON / OFF	Clear Lamp Run Time	
	Temperature Info	Head Temperature	XXX C° / F °	Temperature in Fixture Head	
Software Version	V1.0.1...		Software Version		
LAMP CONTROL	Lamp ON/OFF	ON/OFF		Lamp ON/OFF	
	Automatic ON/OFF	ON/OFF		Lamp ON/OFF when Power ON	
	Lamp ON via DMX	ON/OFF		Lamp ON via DMX	
	Lamp OFF via DMX	ON/OFF		Lamp OFF via DMX	
	Max ON at Temp	20~79°C (45°C) / 68 ~ 174°F (113°F)		Lamp ON at Temp	
	Lamp OFF Temp	80~139°C (130°C) / 176 ~ 282°F (266°F)		Lamp OFF at Temp	
PERSONALITY	Status Settings	Address via DMX	ON/OFF	Address Via DMX	
		No DMX Status	Close/ Hold /Auto	Auto Run If No DMX	
		Pan Reverse	ON/ OFF	Pan Reverse Movement	
		Tilt Reverse	ON/ OFF	Tilt Reverse Movement	
		Pan Degree	630/540	Pan Degree Select	
		Feedback	ON/OFF	Movement Feedback	
		Movement Speed	Speed 1 ~ 4	Movement Mode Select	
		Hibernation	OFF, 01M~99M, 15M	Stand By Mode	
	Service Setting	Password	Password=XXX		Service Password 050
		RDM PID	XXXXXX		RDM PID Code
	Display Setting	Shutoff Time	02~60m 05m		Display Shut Off Time
		Display Reverse	ON/ OFF		Display Reverse 180°
		Key Lock	ON/ OFF		Key Lock
	Temperature C/F	Celsius/Fahrenheit		Temperature Switch Between C° / F°	
	Initial Effect	PAN =XXX		Initial Effect Position	
Reset Default	ON/OFF		Restore Factory Settings		
Reset Function	Reset All			Reset All Motors	
	Reset Pan/Tilt			Reset Pan/Tilt	
	Reset Colors			Reset Color Wheel	
	Reset Shutter			Reset Shutter and/or Dimmer	
	Reset Others			Reset Other Motors	
Effect Adjust	Test Channel	PAN		Test Funciosn	
	Manual Control	PAN =XXX,		Fine Adjustments	
	Calibrate Values	Calibrate Password		Password 050	
Color Wheel=XXX		Calibrate/Adjust Effects			

ELATION© PLATINUM SPOT 5R PRO™ SYSTEM MENU				
Specifications are subject to change without any prior written notice.				
MAIN MENU	SUB MENU	OPTIONS / VALUES (Default Settings in BOLD)		DESCRIPTION
User Mode Set	User Mode	Standard Mode		DMX Channel Modes
		Basic Mode		
		Extended Mode		
		User Mode A		User Defined Channel Assignment
		User Mode B		
	User Mode C			
Edit User Mode	Max Channel = XX PAN = CH01		Edits User Defined Channel Assignments	
Edit Program	Select Programs	Auto Pro Part1 = Program 1~10 (Program 1)		Select Programs To Be Run
		Auto Pro Part2 = Program 1~10 (Program 2)		
		Auto Pro Part3 = Program 1~10 (Program 3)		
	Edit Program	Program 1	Program Test	Testing Program
		:	Step 01 = SCxxx	Program In Loop
		Program 10	Step 64 = SCxxx	Save and Exit
	Edit Scenes	Scene 001	Pan,Tilt,.....	Save and Automatically Return
		~	--Fade Time--	Manual Scenes Edit
		Scene 250	--Scene Time--	
	Record Controller	XX~XX	Input By Outside	Stores Scenes via Ext DMX Console
			Automatic Scenes Recorder	

FUNCTION - Set DMX Address

Define desired DMX address via the Control Panel.

FUNCTION - DMX Value

Display DMX 512 value of each channel.

FUNCTION - Slave Mode

Define fixture slave mode (**Slave1, Slave2, Slave3**).

FUNCTION - Auto Program

Define fixture mode (**Master or Alone**) for running Auto Programs. Select desired internal programs under "**Select Program**", set the number of steps under "**Edit Program**", and edit individual scenes under "**Edit Scenes**".

INFORMATION - Time Information - Current Time

Displays fixture run time from last power ON.

The counter is reset after each time the fixture is powered OFF.

INFORMATION - Time Information - Total Run Time

Displays fixture total run time.

INFORMATION - Time Information - Last Run Time

Displays fixture run time for a given period of time (i.e. rental period).

This counter can be reset.

INFORMATION - Time Information - Lamp Hours

Displays lamp total run time.

This counter should be reset at each lamp change.

INFORMATION - Time Information - Lamp Off Time

Displays lamp run time from the last power ON.

This counter is automatically reset after each time the lamp is powered ON.

INFORMATION - Time Information - LastRun Password

Display the fixture timer password. **(038)**

INFORMATION - Time Information - Clear Last Run

Resets the last run time of the fixture.

INFORMATION - Time Information - LampTime Password

Displays the lamp timer password. **(038)**

INFORMATION - Time Information - Clear Lamp Time

Resets the run time of the lamp.

INFORMATION - Temperature Information - Head Temperature

Displays temperature of the fixture.

INFORMATION - Software Version

Displays software version of the fixture.

LAMP CONTROL - Lamp ON/OFF

When ON, manual control of lamp power can be accessed via system menu.

LAMP CONTROL - Automatic ON

When ON, lamp is automatically powered ON when power is applied to fixture.

LAMP CONTROL - Lamp ON via DMX

When ON, lamp can be powered ON via a DMX controller.

LAMP CONTROL - Lamp OFF via DMX

When ON, lamp can be powered OFF via a DMX controller.

LAMP CONTROL - Max ON at Temp

The fixture is designed to shut the lamp OFF when an excessive temperature is sensed inside the head by the on-board CPU. The lamp is shut OFF to prevent damage to the lamp and avoid possible internal damage to the fixture head. This function sets the MIN internal operating temperature of the fixture head before the lamp will restrike after the lamp has been automatically shut OFF.

LAMP CONTROL - Lamp OFF Temp

The fixture is designed to shut the lamp OFF when an excessive temperature is sensed inside the head by the on-board CPU. The lamp is shut OFF to prevent damage to the lamp and avoid possible internal damage to the fixture head. This function sets the MAX internal operating temperature of the fixture head when the lamp will automatically be shut OFF.

PERSONALITY - Status Settings - Address Via DMX

Define desired DMX address via an external controller.

PERSONALITY - Status Settings - No DMX Status

Define how fixture operates if NO DMX signal is detected.

PERSONALITY - Status Settings - Pan Reverse

When ON, all PAN movements are reversed (inverted).

PERSONALITY - Status Settings - Tilt Reverse

When ON, all TILT movements are reversed (inverted).

PERSONALITY - Status Settings – Pan Degree

Select desired maximum degree of the Pan movement.

PERSONALITY - Status Settings - Feedback

When ON, the fixture automatically performs PAN / TILT correction in the event either one is disrupted during normal operation.

PERSONALITY - Status Settings – Movement Speed

Select desired Movement Speed.

PERSONALITY - Status Settings – Hibernation

Select desired Hibernation time.

PERSONALITY – Service Setting - Password

Displays the service setting password. **(050)**

PERSONALITY – Service Setting - RDM PID

RDM (Remote Device Management)

PERSONALITY - Display Setting – Shutoff Time

Define how many minutes before the LCD Menu display will automatically shut OFF.

PERSONALITY - Display Setting – Display Reverse

When ON, the LCD Menu display by is rotated (inverted) 180°.

PERSONALITY - Display Setting – Key Lock

When ON, Control Panel buttons lock automatically after exiting main menu for 15 seconds. To unlock, keep **MODE/ESC** button pressed for 3 seconds.

PERSONALITY – Temperature C/F

Define how fixture displays internal temperature (Celsius or Fahrenheit).

PERSONALITY – Initial Status

Create custom PAN/TILT and Effect settings and save as a custom Home Position.

PERSONALITY – Reset Default

When ON, all factory settings are restored.

RESET FUNCTION - Reset ALL

Reset ALL internal motors to Home Position.

RESET FUNCTION - Reset PAN and TILT

Reset only PAN and TILT motors to Home Position.

RESET FUNCTION - Reset Colors

Reset only Color Wheel to Home Position.

RESET FUNCTION - Reset Shutter

Reset only blackout Shutter to Home Position.

RESET FUNCTION - Reset Others

Reset ALL other motors not associated previously listed commands to Home Position.

EFFECT ADJUST – Test Channel

Select and auto test each channel function independently from the DMX controller.

EFFECT ADJUST – Manual Control

Select and manually test and fine adjust each individual channel function independently from DMX control board. This function will center PAN and TILT motors and set dimmer to 100%. PAN and TILT functions will still operate if the fixture needs to be positioned to a flat clear surface. With the individual functions, you can focus the light on a flat surface (wall) and perform fine adjustments.

EFFECT ADJUST – Calibration



ONLY QUALIFIED TECHNICIANS SHOULD PERFORM THIS FUNCTION.

This function allows small adjustments to be made to compensate for wear or in the event a sensor has been knocked slightly out of place. Because improper use of this function can result in undesired operation this function has been password protected. The password is **050** and must be entered each time the calibration menu function is entered. Because calibration is an extremely delicate procedure, instructions on performing this action are left out of this manual. For a first time calibrator, please contact our customer support team for step-by-step instructions.

USER MODE SET – User Mode

Select operating mode, which includes DMX Channel and User defined modes.

USER MODE SET – Edit User Mode

Create user defined channel orders allowing the fixture to match the channel order of other fixtures on the market for easier operation. A total of three user modes may be configured: User Mode A, User Mode B, and User Mode C.

EDIT PROGRAM – Select Program

Select one of the (10) user defined internal Auto Programs.

EDIT PROGRAM – Edit Program

Edit any of the (10) user defined internal Auto Programs.

EDIT PROGRAM – Edit Scenes

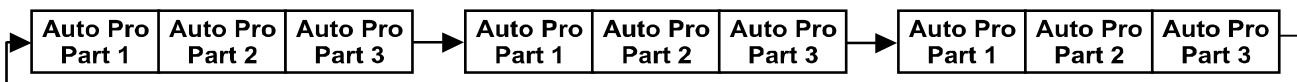
Edit any of the scenes of the internal Auto Programs.

EDIT PROGRAM – Record Controller

The fixture features an integrated DMX-recorder by which you can transmit the programmed scenes from your DMX-controller to the moving head. Adjust the desired scene numbers via the encoder (from – to). When you call up the scenes at your controller, they will automatically be transmitted to the moving head.

EDIT PROGRAM – Record Controller – Working With Built In Programs

A Master unit can send up to 3 different data groups to the Slave units, i.e. a Master unit can start 3 different Slave units, which run 3 different programs. The Master unit sends the 3 program parts in a continuous loop.



The Slave unit receives data from the Master unit according to the group which the Slave unit was assigned to. If e.g. a Slave unit is set to “**Slave 1**” in the menu “**Set to Slave**”, the Master unit sends “**Auto Program Part 1**” to the Slave unit.

If set to “**Slave 2**”, the Slave unit receives “**Auto Program Part 2**”.

To start an Auto Program proceed as follows:

1. Slave Setting

- Select “**Function Mode**”.
- Press **ENTER** to confirm.
- Select “**Set to Slave**”.
- Press **ENTER** to confirm.
- Select “**Slave 1**”, “**Slave 2**” or “**Slave 3**”.
- Press **ENTER** to confirm.
- Press **MODE/ESC** in order to return to the main menu.

2. Automatic Program Run

- Select “**Function Mode**”.
- Press **ENTER** to confirm.
- Select “**Auto Program**”.
- Press **ENTER** to confirm.
- Select “**Master**” or “**Alone**”.
- Press **ENTER** to confirm.
- Press **MODE/ESC** in order to return to the main menu.

3. Program Selection for Auto Pro Part

- Select “**Edit Program**”.
- Press **ENTER** to confirm.
- Select “**Select Programs**”.
- Press **ENTER** to confirm.
- Select “**Auto Pro Part 1**”, “**Auto Pro Part 2**” or “**Auto Pro Part 3**”, and select which Slave program is to be sent. Selection “**Part 1**” means, that the Slave unit runs the same program as the master units.
- Press **ENTER** to confirm.
- Press **MODE/ESC** in order to return to the main menu.

4. Program Selection for Edit Program

- Select “**Edit Program**”.
- Press **ENTER** to confirm.
- Select “**Edit Program**”.
- Press **ENTER** to confirm.
- Select the desired program. With this function you can edit specific scenes into a specific program.
- Press **ENTER** to confirm.
- Press **MODE/ESC** in order to return to the main menu.

5. Automatic Scene Recording

- Select “**Edit Program**”.
- Press **ENTER** to confirm.
- Select “**Edit Scenes**”.
- Select desired scene numbers. A maximum of 250 scenes can be programmed.
- Press **ENTER** to confirm.
- Press **MODE/ESC** in order to return to the main menu.

EDIT PROGRAM – Record Controller – Working With Built-In Program [continued]

Example:

Program 2 includes scenes: 10, 11, 12, & 13

Program 4 includes scenes: 8, 9, & 10

Program 6 includes scenes: 12, 13, 14, & 15

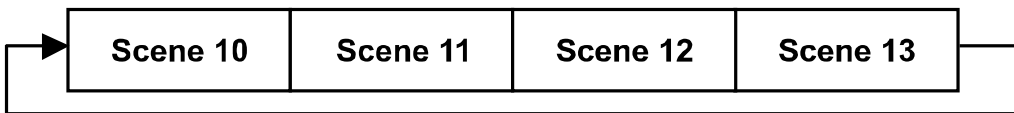
Auto Pro Part 1 is Program 2

Auto Pro Part 2 is Program 3

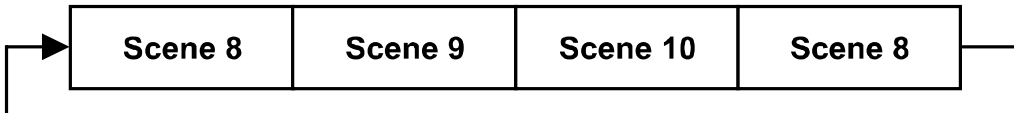
Auto Pro Part 3 is Program 6

The 3 Slave groups run the Auto Program in certain time segments, as shown in the following picture:

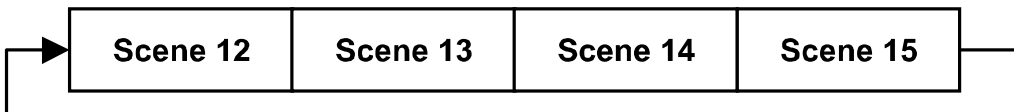
Part 1:



Part 2:



Part 3:



DMX CHANNEL FUNCTIONS AND VALUES

ELATION® PLATINUM WASH 16R PRO™				
DMX Channel Values / Functions (26 DMX Channels)				
Specifications are subject to change without any prior written notice.				
*Rotation direction (Clockwise or Counterclockwise) of COLOR and BEAM SHAPER effects depends on the orientation of the fixture head.				
MODE / CHANNEL			FUNCTION	
BASIC	STAND	EXTEND	VALUE	
1	1	1	PAN MOVEMENT [8 BIT]	
			0-255	PAN Movement By 540/630
	2	2	PAN FINE MOVEMENT [16 BIT]	
			0-255	PAN Movement FINE Adjustment
2	3	3	TILT MOVEMENT [8 BIT]	
			0-255	TILT Movement By 270
	4	4	TILT MOVEMENT [16 BIT]	
			0-255	TILT Movement FINE Adjustment
3	5	5	COLORS	
			0-18	OPEN / WHITE
			19-37	RED
			38-56	BLUE
			57-75	GREEN
			76-94	YELLOW
			95-113	UV FILTER
			114-127	CTO
			128-189	*Clockwise Color Rotation from FAST to SLOW
			190-193	NO Rotation
			194-255	*Counterclockwise Color Rotation from SLOW to FAST
		0-255	Color Wheel FINE Adjustment to Any Position	
4	6	7	CYAN COLOR	
			0-255	CYAN (0-White, 255-100% Cyan)
		8	CYAN COLOR FINE	
			0-255	CYAN FINE Adjustment
5	7	9	MAGENTA COLOR	
			0-255	MAGENTA (0-White, 255-100% Magenta)
		10	MAGENTA COLOR FINE	
			0-255	MAGENTA FINE Adjustment
6	8	11	YELLOW COLOR	
			0-255	YELLOW (0-White, 255-100% Yellow)
		12	YELLOW COLOR FINE	
			0-255	YELLOW FINE Adjustment

ELATION® PLATINUM WASH 16R PRO™			
DMX Channel Values / Functions (26 DMX Channels)			
Specifications are subject to change without any prior written notice.			
MODE / CHANNEL			FUNCTION
BASIC	STAND	EXTEND	VALUE
7	9	13	
			0-31
			32-127
			128-135
			136-143
			144-151
			152-159
			160-167
			168-175
			176-183
			184-191
			192-199
			200-207
			208-215
			216-223
			224-231
232-239			
240-247			
248-255			
8	10	14	
			0-127
			128-189
			190-193
			194-255
		15	
			0-255
9	11	16	
			0-255
		17	
			0-255
10	12	18	
			0-31
			32-63
			64-95
			96-127
			128-159
			160-191
			192-223
224-255			
11	13	19	
			0-255
		20	
			0-255

ELATION® PLATINUM WASH 16R PRO™			
DMX Channel Values / Functions (26 DMX Channels)			
Specifications are subject to change without any prior written notice.			
MODE / CHANNEL			FUNCTION
BASIC	STAND	EXTEND	VALUE
12	14	21	FROST 1
			0-127
			128-255
13	15	22	FROST 2
			0-127
			128-255
14	16	23	SPEED OF CMY & COLOR MACROS
			0-255
15	17	24	COLOR MACROS / CMY + COLOR WHEEL
			0-7
			8-15
			16-23
			24-31
			32-39
			40-47
			48-55
			56-63
			64-71
			72-79
			80-87
			88-95
			96-103
			104-111
			112-119
			120-127
			128-135
			136-143
			144-151
			152-159
			160-167
			168-175
			176-183
			184-191
			192-199
			200-207
			208-215
			216-223
			224-231
232-239			
240-247			
248-255			
16	18	25	PAN / TILT MOVEMENT SPEED
			0-225
			226-235
			236-245
			246-255

ELATION® PLATINUM WASH 16R PRO™				
DMX Channel Values / Functions (26 DMX Channels)				
Specifications are subject to change without any prior written notice.				
MODE / CHANNEL			VALUE	
BASIC	STAND	EXTEND	FUNCTION	
17	19	26	LAMP ON/OFF, RESET, INTERNAL PROGRAMS	
			0-19	COLOR Change Normal
			20-39	COLOR Change to Any Position
			40-59	LAMP ON
			60-79	LAMP Switch OFF
			80-84	ALL Motor Reset
			85-87	X/Y Motors Reset
			88-90	COLORS Motor Reset
			91-93	ZOOM Motor Reset
			94-96	SHUTTER & DIMMER Motor Reset
			97-99	OTHER Motor Reset
			100-119	Internal Program 1
			120-139	Internal Program 2
			140-159	Internal Program 3
			160-179	Internal Program 4
			180-199	Internal Program 5
			200-219	Internal Program 6
220-239	Internal Program 7			
240-255	NO Function			

ERROR CODES

When power is applied, the fixture automatically enters a **“Reset/Test”** mode. This mode brings all the internal motors to a home position. If there is an internal problem with one or more of the motors an error code will flash in the display in the form of **“Err channel is XX”** where as **XX** will represent a specific function. The display may show one or multiple error codes. For example, when the display shows **“Err Channel is Color Wheel”**, it means the Color Wheel is not in the home position. If there are multiple errors at the same time, you may see the error messages **“Err channel is Color Wheel”**, **“Err Channel is Pan Movement”**, **“Err Channel is Tilt Movement”** flash for 2 times.

If errors occur during the initial start-up procedure the fixture will self-generate a second reset signal and try to realign all the motors and correct the errors. If any errors persist after a second attempt a third attempt will be made. If after a third attempt all the errors have not been corrected the fixture will make the following determinations:

- **3 or More Errors** - The fixture cannot function properly with three or more errors therefore the fixture will place itself in a stand-by mode until subsequent repairs can be made.
- **Less Than 3 Errors** - The fixture has less than 3 errors; therefore most other functions will work properly. The fixture will attempt to operate normally until the errors can be correct by a technician. The errors in question will remain flashing in the display as a reminder of internal errors.

PAN- Movement Er (PAN-Yoke Movement Error)

This message will appear after the reset of the fixture if the yoke’s magnetic-indexing circuit malfunction (sensor failed or magnet missing) or the stepping-motor is defective (or its driving IC on the main PCB). The PAN- movement is not located in the default position after the reset.

TILT- movement Er (TILT-Head Movement Error)

This message will appear after the reset of the fixture if the head’s magnetic-indexing circuit malfunctions (sensor failed or magnet missing) or the stepping-motor is defective (or its driving IC on the main PCB). The TILT- movement is not located in the default position after the reset.

Color Wheel Er (Color Wheel Error)

This message will appear after the reset of the fixture if the magnetic-indexing circuit malfunction (sensor failed or magnet missing) or the stepping-motor is defective (or its driving IC on the main PCB). The color wheel is not located in the default position after the reset.

Dimmer Er (Dimmer Error) This message will appear after the reset of the fixture if the magnetic-indexing circuit malfunction (sensor failed or magnet missing) or the stepping-motor is defective (or its driving IC on the main PCB). The Dimmer is not located in the default position after the reset.

Zoom Er (Zoom Error)

This message will appear after the reset of the fixture if the magnetic-indexing circuit malfunction (sensor failed or magnet missing) or the stepping-motor is defective (or its driving IC on the main PCB). The Zoom is not located in the default position after the reset.

Cyan Color Er (Cyan Color Error)

This message will appear after the reset of the fixture if the magnetic-indexing circuit malfunction (sensor failed or magnet missing) or the stepping-motor is defective (or its driving IC on the main PCB). The Cyan Color is not located in the default position after the reset.

Magenta Color Er (Magenta Color Error)

This message will appear after the reset of the fixture if the magnetic-indexing circuit malfunction (sensor failed or magnet missing) or the stepping-motor is defective (or its driving IC on the main PCB). The Magenta Color is not located in the default position after the reset.

Yellow Color Er (Yellow Color Error)

This message will appear after the reset of the fixture if the magnetic-indexing circuit malfunction (sensor failed or magnet missing) or the stepping-motor is defective (or its driving IC on the main PCB). The Yellow Color is not located in the default position after the reset.

PrismR Er (PrismR Error) This message will appear after the reset of the fixture if the magnetic-indexing circuit malfunction (sensor failed or magnet missing) or the stepping-motor is defective (or its driving IC on the main PCB). The PrismR is not located in the default position after the reset.

CLEANING AND MAINTENANCE



CAUTION!

Disconnect from mains before starting maintenance operation.

CLEANING

Frequent cleaning is recommended to insure proper function, optimized light output, and an extended life. The frequency of cleaning depends on the environment in which the fixture operates: damp, smoky or particularly dirty environments can cause greater accumulation of dirt on the fixture's optics.

- Clean the external lens surface at least every 20 days with a soft cloth to avoid dirt/debris accumulation. Never use alcohol, solvents, or ammonia based cleaners.

MAINTENANCE

Regular inspections are recommended to insure proper function and extended life. There are no user serviceable parts inside this fixture, please refer all other service issues to an authorized Elation service technician. Should you need any spare parts, please order genuine parts from your local Elation dealer.

Please refer to the following points during routine inspections:

- A detailed electric check by an approved electrical engineer every 3 months, to make sure the circuit contacts are in good condition and prevent overheating.
- Be sure all screws and fasteners are securely tightened at all times. Loose screws may fall out during normal operation resulting in damage or injury.
- Check for any deformations on the housing, color lenses, rigging hardware and rigging points (ceiling, suspension, trussing). Deformations in the housing could allow for dust to enter into the fixture. Damaged rigging points or unsecured rigging could cause the fixture to fall and seriously injure a person(s).
- Inspect all moving parts and make sure there are no signs of wear and rotate/move without imbalances.
- Electric power supply cables must not show any damage, material fatigue or sediments. Never remove the ground prong from the power cable.

TECHNICAL SPECIFICATIONS

FEATURES

Beam and Wash Combo Illuminare
Variable Motorized Zoom 3° - 14° Beam 6° - 43° Wash
CMY Color Mixing and CTO Color Correction
2 Separate Frost Filters - Light and Heavy Frost
Linear Rotating Prism
16bit Pan and Tilt Movement

SOURCE

New 330W Phillips™ Platinum 16R PRO Lamp
1,500 Hour Average Lamp Life

PHOTOMETRIC DATA

16,000 Total Lumens, 8,000K, 65CRI
Distance @24.6 ft. (7.5m)
55,850 LUX 5,188 FC (3° Min Zoom Full ON)
5,795 LUX 538 FC (14° Max Zoom Full ON)
16,300 LUX 1,514 FC (6° Min Zoom - Light Frost Full ON)
3,795 LUX 353 FC (14° Max Zoom - Light Frost Full ON)
4,071 LUX 378 FC (11° Min Zoom - Heavy Frost Full ON)
1,230 LUX 114 FC (22° Max Zoom - Heavy Frost Full ON)

EFFECTS

Linear Rotating Prism and 16 Prism Macros
2 Frost Filters - Light and Heavy Frost
Strobe: 1-18fps
Dimming: 0% - 100%

COLOR

6 Dichroic Colors Including UV, CTO, + White (Open)
CMY Color Mixing

CONTROL / CONNECTIONS

(3) DMX Channel Modes (17 / 19 / 26)
RDM (Remote Device Management)
6 Button Touch Control Panel
Full Color 180° Reversible LCD Menu Display
8 / 16 Bit Resolution Adjustable Movement
3pin & 5pin DMX In/Out
powerCON Power In

SIZE / WEIGHT

Length: 14.7" (374mm)
Width: 14.7" (374mm)
Vertical Height: 22.9" (580)
Weight: 48.0 lbs. (21.8 kg)

ELECTRICAL / THERMAL

AC 100-240V - 50/60Hz
450W Max Power Consumption
-13°F to 113°F (-25°C to 45°C)

APPROVALS / RATINGS

CE Approved
RoHs Compliant
IP20 Rated

INSTALLATION

Rigging: Clamps (Not Included)
Working Position: Any Position

INCLUDED ITEMS

(2) Omega Brackets, (1) 3pin DMX, (1) Safety Cable, and (1) powerCON Cable

Please Note: Specifications and improvements in the design of this unit and this manual are subject to change without any prior written notice.

COLORS



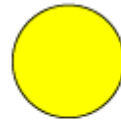
1. Red



2. Blue



3. Green



4. Yellow



5. UV



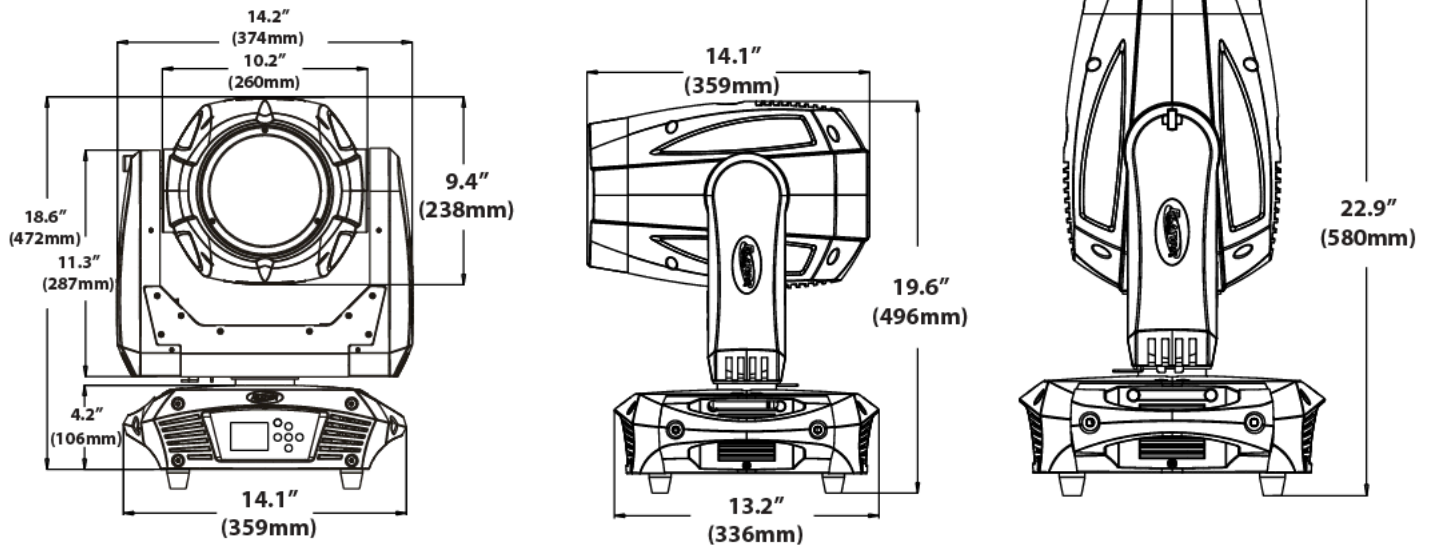
6. C T O

PHOTOMETRIC DATA

	m		ft		m		ft	
Distance	7.5	24.6	10	32.8	12.5	41.0		
MIN ZOOM								
3° Beam Diameter	0.39	1.3	0.52	1.7	0.65	2.1		
7° Field Diameter	0.93	3.1	1.24	4.1	1.55	5.1		
	lux	fc	lux	fc	lux	fc		
Full ON	55,850	5188	31,770	2951	20,080	1865		
MAX ZOOM								
14° Beam Diameter	1.83	6.0	2.44	8.0	3.05	10.0		
22° Field Diameter	2.91	9.5	3.88	12.7	4.85	15.9		
	lux	fc	lux	fc	lux	fc		
Full ON	5,795	538	3,328	309	2,120	197		
MIN ZOOM - LIGHT FROST								
6° Beam Diameter	0.76	2.5	1.02	3.3	1.27	4.2		
13° Field Diameter	1.65	5.4	2.2	7.2	2.75	9.0		
	lux	fc	lux	fc	lux	fc		
Full ON	16,300	1514	9,250	859	5,935	551		
MAX ZOOM - LIGHT FROST								
14° Beam Diameter	1.86	6.1	2.5	8.2	3.1	10.2		
27° Field Diameter	3.57	11.7	4.76	15.6	5.95	19.5		
	lux	fc	lux	fc	lux	fc		
Full ON	3,795	353	2,186	203	1,440	134		
MIN ZOOM - HEAVY FROST								
11° Beam Diameter	1.47	4.8	1.96	6.4	2.45	8.0		
22° Field Diameter	2.94	9.6	3.92	12.9	4.9	16.1		
	lux	fc	lux	fc	lux	fc		
Full ON	4,071	378	2,325	216	1,109	103		
MAX ZOOM - HEAVY FROST								
23° Beam Diameter	3.06	10.0	4.08	13.4	5.1	16.7		
44° Field Diameter	5.61	18.4	7.48	24.5	9.35	30.7		
	lux	fc	lux	fc	lux	fc		
Full ON	1,230	114	717	67	385	36		

Please Note: Specifications and improvements in the design of this unit and this manual are subject to change without any prior written notice.

DIMENSIONAL DRAWINGS



CIRCUIT SCHEMATICS

pending

Please Note: Specifications and improvements in the design of this unit and this manual are subject to change without any prior written notice.

OPTIONAL ACCESSORIES

ORDER CODE	ITEM
TRIGGER CLAMP	Heavy Duty Wrap Around Hook Style Clamp
** pending **	Road Case For Platinum Wash 16R™
ELO211	Eloader II™ Software Updater Box
EWDMXSYSTEM	Wireless DMX System (1 Transmitter, 1 Receiver)
EWDMXT	Wireless DMX Transmitter
EWDMXR	Wireless DMX Receiver
AC3PDMX5PRO	5 ft. (1.5m) 3pin PRO DMX Cable
AC3PDMX10PRO	10 ft. (3m) 3pin PRO DMX Cable
AC3PDMX15PRO	15 ft. (4.5m) 3pin PRO DMX Cable
AC5PDMX5PRO	5 ft. (1.5m) 5pin PRO DMX Cable
AC5PDMX10PRO	10 ft. (3m) 5pin PRO DMX Cable
AC5PDMX15PRO	15 ft. (4.5m) 5pin PRO DMX Cable
	Additional Cable Lengths Available

