



## PROTEUS™ BEAM



### FEATURES

- Innovative IP65 Rated Moving Head Beam Luminaire**
- Philips™ MSD Platinum 14R 280W 80CRI, 7,800K Lamp**
- Precise 2.5° Beam Aperture and Advanced Optics**
- Revolutionary Internal Thermal Cooling System**
- Full CMY Color Mixing**
- 13 Dichroic Colors including CTB, CTO, and UV**
- 8 Rotating Interchangeable and 13 Static-Stamped Gobos**
- 5 and 32 Facet Rotating Prisms and Frost Filter**
- Motorized Focus and Auto-Focus**
- High Speed Mechanical Shutter and Strobe**
- DMX, RDM, Art-NET, and sACN Support**
- Elation's E-FLY™ Internal Wireless DMX Transceiver**



The PROTEUS BEAM™ an innovative full featured IP65 rated moving head beam luminaire with the Philips™ MSD Platinum 14R 280W 80CRI 7,800K lamp producing over 12,000 total lumens. Features include an advanced optical system producing a precise 2.5° beam aperture, a revolutionary internal thermal cooling system, full CMY color mixing, 13 dichroic colors including CTB, CTO, and UV, 8 rotating interchangeable and 13 static-stamped metal gobos, 5 and 32 facet rotating prisms, frost filter, motorized focus and auto-focus, high speed mechanical shutter and strobe, DMX, RDM, Art-NET, and sACN protocol support, Elation's E-FLY™ internal wireless DMX transceiver, IP rated 5pin XLR and RJ45 etherCON in/out connections, powerCON TRUE1 in, full color 180° reversible menu display with 6 button touch control panel, battery backup for display power, 500W max power consumption, and a multi-voltage universal auto switching power supply (100-240v).



Specifications subject to change without notice ©Elation Professional 11/07/17

Elation Professional USA | 6122 S. Eastern Ave. | Los Angeles, CA. 90040  
323-582-3322 | 323-832-9142 fax | www.elationlighting.com | info@elationlighting.com

Elation Professional B.V. | Junostraat 2 | 6468 EW Kerkrade, The Netherlands  
+31 45 546 85 66 | +31 45 546 85 96 fax | www.elationlighting.eu | info@elationlighting.eu

**PRODUCT SPECIFICATIONS**

**SOURCE**

Philips MSD Platinum 14R 280W 80CRI 7,800K Lamp  
1,500 Hour Average Lamp Life\*

\*May vary depending on several factors including but not limited to:  
Environmental Conditions, Power/Voltage, Usage Patterns (On-Off Cycling), Control and Dimming.

**PHOTOMETRIC DATA**

80CRI | > 12,000 Lumens  
136,800 LUX 12,709 FC @49.2' (15m) (2.5° Full ON)

**EFFECTS**

5 and 32 Facet Rotating Prisms and Prism Macros  
Frost Filter Hybrid Wash Effect  
Motorized Focus and Auto-Focus  
High Speed Mechanical Shutter and Strobe

**COLOR**

13 Dichroic Colors including CTB, CTO, and UV  
Full CMY Color Mixing

**GOBOS**

(8) Interchangeable Rotating / Indexing Glass Gobos  
(13) Static-Stamped Metal Gobos

**CONTROL / CONNECTIONS**

(3) DMX Channel Modes (28 total channels)  
6 Button Touch Control Panel  
Full Color 180° Reversible LCD Menu Display  
8 / 16 Bit Resolution Adjustable Movement  
DMX, RDM, Art-NET and sACN Protocol Support  
Elation E-FLY™ Internal Wireless DMX Transceiver  
IP65 5pin DMX In/Out  
IP65 RJ45 Ethernet In/Out  
IP65 powerCON TRUE1 Power In

**SIZE / WEIGHT**

Length: 17.1" (445mm)  
Width: 17.87" (454mm)  
Vertical Height: 26.77" (680mm)  
Weight: 77.0 lbs. (35.0 kg)

**ELECTRICAL / THERMAL**

AC 100-240V - 50/60Hz  
500W Max Power Consumption  
14°F to 113°F (-10°C to 45°C)

**APPROVALS / RATINGS**



**ORDERING INFORMATION**

<b>PRB014</b>	PROTEUS BEAM™
<b>DRCPROTB</b>	Dual Touring Road Case For PROTEUS BEAM™
<b>TRIGGER CLAMP</b>	Heavy Duty Wrap Around Hook Style Clamp
<b>EFL001</b>	E-FLY™ Wireless DMX Transceiver
<b>SCABLE60</b>	24" (610mm) 60 lbs. (27 kg) Rated Safety Cable

**PHOTOMETRIC DATA**

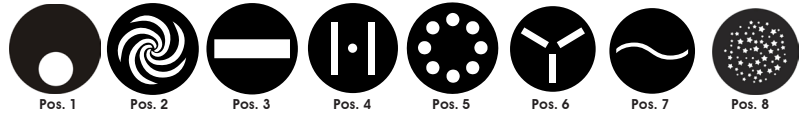
**2.5° Beam Aperture**

	<b>15 m</b>	<b>49.2 ft</b>	<b>20 m</b>	<b>65.6 ft</b>	<b>25 m</b>	<b>82.0 ft</b>
<b>Diameter</b>	0.66	2.2	0.88	2.9	1.1	3.6
	<b>lux</b>	<b>fc</b>	<b>lux</b>	<b>fc</b>	<b>lux</b>	<b>fc</b>
<b>FULL ON</b>	136,800	12,709	81,050	7,530	49,170	4,568

**COLORS AND GOBOS**



**INTERCHANGEABLE-ROTATING GOBO WHEEL 1**

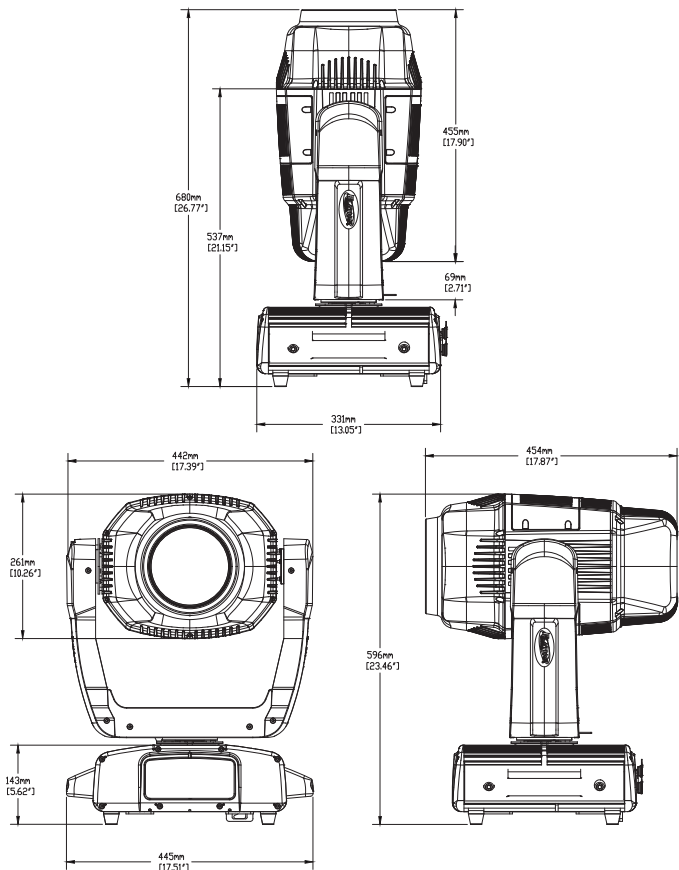


**STATIC-FIXED GOBO WHEEL 2**



**\*\*IMPORTANT NOTICE REGARDING GOBO DIMENSIONS AND CUSTOM GOBOS\*\***  
Due to the extreme high temp optical system, special material and design requirements are required.  
Please contact ELATION Customer Support for specific details.

**DIMENSIONAL DIAGRAMS**



Specifications subject to change without notice ©Elation Professional 11/07/17

