



## ACL PAR 200™

SKU# ACL047

The new ACL PAR 200™ is a versatile par luminaire featuring (7) individual 15W RGBW 4-in-1 LEDs and the new advanced collimator optic lens, producing a laser-like homogenized 4° color-changing beam from each lens which combined produce a 11° beam angle. Features include full individual pixel control, strobe, and selectable dimming curve effects, DMX, RDM (Remote Device Management), KlingNET™ and Art-NET support, 3/5pin XLR, powerCON, and RJ45 ethernet in/out connections, (4) button control full color 180° reversible menu display, 110W max power consumption, and a multi-voltage universal auto switching power supply (100-240v).



### FEATURES

**Versatile 11° Beam Par Luminaire**

**New Advanced Collimator Optic Lens**

**(7) Pixel Controlled 15W RGBW 4-in-1 LEDs**

**Laser-Like Homogenized 4° Color Changing Beams**

**Strobe and Selectable Dimming Curve Effects**

**RDM, KlingNET™ and Art-NET (DMX Over Ethernet)**

**Flicker Free Operation for Broadcast TV and FILM**



**PRODUCT SPECIFICATIONS**

**SOURCE**

(7) 15W RGBW 4-in-1 LEDs  
100,000 Hour Average Lamp Life

**PHOTOMETRIC DATA (11° Full ON)**

56,149 LUX 5,216 FC @3.3' (1m)  
36,935 LUX 3,431 FC @6.6' (2m)  
20,439 LUX 1,899 FC @9.8' (3m)  
11,897 LUX 1,105 FC @13.1' (4m)  
7,617 LUX 708 FC @16.4' (5m)

**EFFECTS**

Individual Pixel Control  
Strobe and Selectable Dimming Curves

**COLOR**

RGBW

**CONTROL / CONNECTIONS**

(11) DMX Channel Modes  
(4CH1:04 / 4CH2:04 / 6 / 8 / 10 / 12 / 27 / 28 / 30 / 32 / 35)  
RDM (Remote Device Management)  
4 Button Touch Control Panel  
Full Color 180° Reversible LCD Menu Display  
3pin/5pin DMX In/Out  
RJ45 Ethernet In/Out (Art-NET)  
powerCON Power In/Out

**SIZE / WEIGHT**

Length: 12.3" (313mm)  
Width: 5.6" (142mm)  
Vertical Height: 11.8" (300mm)  
Weight: 13.0 lbs. (5.9 kg)

**ELECTRICAL / THERMAL**

AC 100-240V - 50/60Hz  
110W Max Power Consumption  
Power Linking: 9pcs Max @110V / 21pcs Max @230V  
5F to 113°F (-15°C to 45°C)

**APPROVALS / RATINGS**

CE | IP30

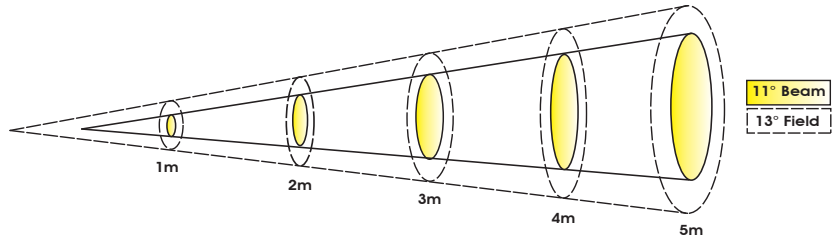
**INSTALLATION**

Rigging: Clamps (Not Included)  
Working Position: Any (360°)

**INCLUDED ITEMS**

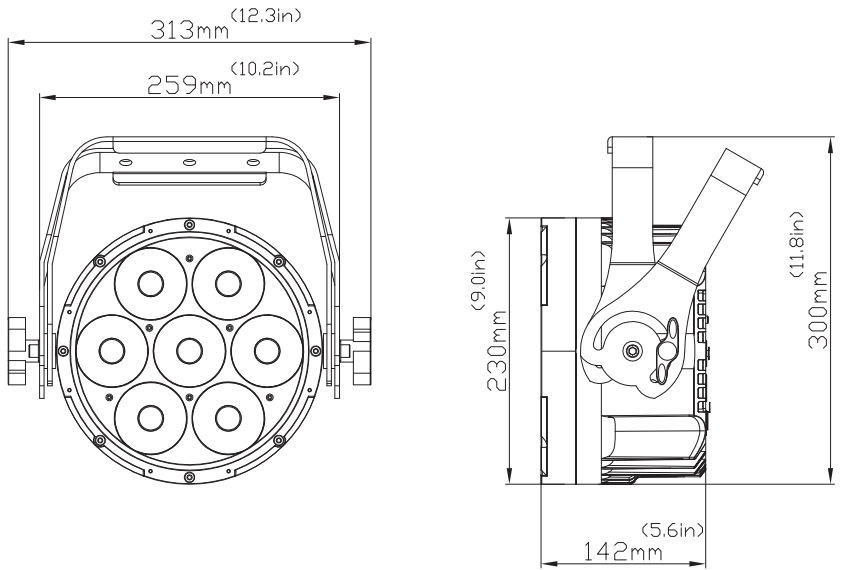
powerCON Cable

**PHOTOMETRIC DATA**



	1 m	3.3 ft	2 m	6.6 ft	3 m	9.8 ft	4 m	13.1 ft	5 m	16.4 ft
11° Beam	0.19	0.6	0.39	1.3	0.55	1.8	0.75	2.5	0.92	3.0
13° Field	0.29	1.0	0.83	2.7	0.83	2.7	1.11	3.6	1.42	4.7
	lux	fc	lux	fc	lux	fc	lux	fc	lux	fc
RED LEDs	11,493	1,068	7,530	700	4,135	384	2,319	215	1,554	144
GREEN LEDs	22,716	2,110	16,311	1,515	10,157	944	6,141	570	3,865	359
BLUE LEDs	4,664	433	3,352	311	1,932	179	1,120	104	713	66
WHITE LEDs	37,175	3,454	19,496	1,811	9,524	885	5,512	512	3,421	318
FULL ON	56,149	5,216	36,935	3,431	20,439	1,899	11,897	1,105	7,617	708

**DIMENSIONAL DIAGRAMS**



**OPTIONAL ACCESSORIES**

ORDER CODE	ITEM
TRIGGER CLAMP	Heavy Duty Wrap Around Hook Style Clamp
EWDMSYSTEM	Wireless DMX System (1 Transmitter, 1 Receiver)
PLC3	3' (1m) PowerCON PRO Link Cable
CAT6PRO5	5' (1.5m) CAT6 EtherCON Cable
AC5PDMX5PRO	5 ft. (1.5m) 5pin PRO DMX Cable
	Additional cable lengths available

