



DW PAR Z19 IP™

SKU# DWZ119

The IP65 rated DW PAR Z19 IP™ features (19) 15W 2-in-1 Cool White / Warm White LEDs, 5° to 45° motorized zoom, dynamic white color temperature range control from 2,700K - 6,000K, electronic strobe and variable dimming curve modes, DMX and RDM (remote device management) protocol support, IP rated 5pin DMX and powerCON TRUE1 power in/out connections, LCD menu display with 4 touch button control panel, integrated dual rigging brackets, multiple unit power linking, rugged die-cast aluminum exterior, flicker free operation for TV and FILM, and a multi-voltage universal auto switching power supply (110-240v).

FEATURES

19 x 15W 2-in-1 Cool White / Warm White LEDs

5° to 45° Motorized Zoom

Dynamic White Control (2,700K - 6000K)

Electronic Strobe and Variable Dimming Curve Effects

RDM - Remote Device Management

Rugged Die-Cast Aluminum Exterior

IP Rated DMX and powerCON TRUE1 Connections

Flicker Free Operation for TV and FILM



PRODUCT SPECIFICATIONS

SOURCE

(19) 15W 2-in-1 CW / WW LEDs
100,000 Hour Average LED Life*

*LED Life may vary depending on several factors including but not limited to: Environmental Conditions, Power/Voltage, Usage Patterns (On-Off Cycling), Control and Dimming.

PHOTOMETRIC DATA

32,064 LUX 2,979 FC @9.8' (3m) (5° Full ON - 4,600K)
1,790 LUX 166 FC @9.8' (3m) (45° Full ON - 4,600K)

COLOR

Cool White / Warm White

EFFECTS

5° - 45° Beam Zoom
Electronic Strobe and Variable Dim Curves
Dynamic White Channel Control (2,700K - 6,000K)

CONTROL / CONNECTIONS

(6) DMX Channel Modes (7 Total Channels)
4 Button Control Panel and LCD Menu Display
RDM (Remote Device Management)
IP Rated 5pin DMX In/Out
powerCON TRUE1 Power In/Out

SIZE / WEIGHT

Length: 14.3" (363mm)
Width: 12.0" (305mm)
Vertical Height: 15.6" (396mm)
Weight: 26.0 lbs. (11.8 kg)

ELECTRICAL / THERMAL

AC 110-240V - 50/60Hz
251W Max Power Consumption
5°F to 113°F (-15°C to 45°C)

APPROVALS / RATINGS



INCLUDED ITEMS

powerCON TRUE1 Cable

PHOTOMETRIC DATA

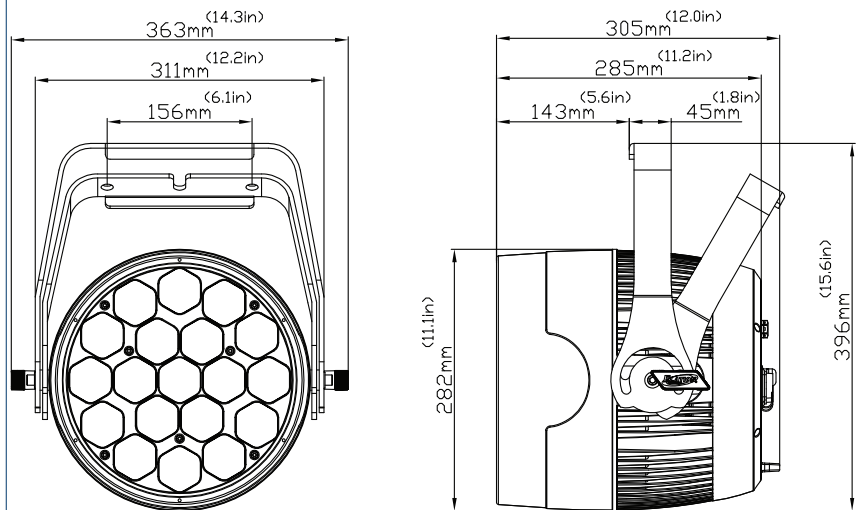
MIN ZOOM - 5° Beam Diameter

	3 m	9.8 ft	4 m	13.1 ft	5 m	16.4 ft
5° Beam Diameter	0.26	0.9	0.35	1.1	0.43	1.4
15° Field Diameter	1	3.3	1.3	4.3	1.6	5.2
	lux	fc	lux	fc	lux	fc
CW LEDs 6,000K	18,625	1,730	12,220	1,135	8,420	782
WW LEDs 3,000K	15,651	1,454	10,165	944	6,917	643
FULL ON 4,600K	32,064	2,979	21,324	1,981	14,650	1,361

MAX ZOOM - 45° Beam Diameter

	3 m	9.8 ft	4 m	13.1 ft	5 m	16.4 ft
45° Beam Diameter	2.49	8.2	3.31	10.9	4.14	13.6
55° Field Diameter	3.12	10.2	4.16	13.6	5.2	17.1
	lux	fc	lux	fc	lux	fc
CW LEDs 6,000K	1,042	97	598	56	396	37
WW LEDs 3,000K	798	74	494	46	329	31
FULL ON 4,600K	1,790	166	1,037	96	691	64

DIMENSIONAL DIAGRAMS



OPTIONAL ACCESSORIES

ORDER CODE	ITEM
NARROW CLAMP	P PRO 2" Wrap Around Clamp
NEU088	3' (1m) powerCON TRUE1 Power Link Cable
	Additional cable lengths available



Specifications are subject to change without notice ©Elation Professional 09/22/16

Elation Professional USA | 6122 S. Eastern Ave. | Los Angeles, CA, 90040
323-582-3322 | 323-832-9142 fax | www.elationlighting.com | info@elationlighting.com

Elation Professional B.V. | Junostraat 2 | 6468 EW Kerkrade, The Netherlands
+31 45 546 85 66 | +31 45 546 85 96 fax | www.elationlighting.eu | info@elationlighting.eu