



CUEPIX BATTEN™

SKU# CUE301

The new CUEPIX Batten™ features (10) long life 30W 3-in-1 RGB COB LEDs, 100,000 average hour LED life, 82° beam and 106° field angles, individual control of each COB module, variable dimming curve modes, strobe and chase effects, ArtNet, KlingNet and RDM (remote device management) protocol support, 3pin and 5pin DMX, powerCon, and RJ45 in/out connections, LCD menu display with 4 button control panel, integrated rigging bracket, multiple unit power linking, rugged die-cast aluminum exterior, flicker free operation for TV and FILM, 312W max power consumption, and a multi-voltage universal auto switching power supply (110-240v).



FEATURES

- 10 x 30W 3-in-1 RGB COB LEDs**
- 100,000 Hour Rated Life LEDs**
- 82° Beam Angle - 106° Field Angle**
- ArtNET and KlingNet Protocol Support**
- RDM (Remote Device Management)**
- Individual Control of Each COB Module**
- Variable Dimming Curves**
- Strobe and Zone Chase Effects**
- Integrated Rigging Bracket**
- Multiple Unit Power Linking**
- Rugged Die-Cast Aluminum Exterior**
- Flicker Free Operation for TV and FILM**



ELATION | CUEPIX BATTEN™ | Product Specification Sheet

Specifications are subject to change without notice ©Elation Professional

Elation Professional USA | 6122 S. Eastern Ave. | Los Angeles, CA. 90040
323-582-3322 | 323-832-9142 fax | www.elationlighting.com | info@elationlighting.com

Elation Professional B.V. | Junostraat 2 | 6468 EW Kerkrade, Netherlands
+31 45 546 85 66 | +31 45 546 85 96 fax | www.elationlighting.eu | info@elationlighting.eu

PRODUCT SPECIFICATIONS

FEATURES

- 82° Beam 106° Field Angles
- ArtNet and Klingnet Support
- RDM - Remote Device Management
- Individual COB Module Control
- Variable Dimming Curve Modes
- Multiple Unit Power Linking
- Rugged Die-Cast Aluminum Exterior
- Flicker Free Operation for TV and FILM

SOURCE

- (10) 30W 3-in-1 COB LEDs
- 100,000 Hour Average LED Life

PHOTOMETRIC DATA

- 3,890 LUX 361 FC @3.3' (1m) (82° Full ON)
- 1,237 LUX 115 FC @6.6' (2m) (82° Full ON)
- 613 LUX 57 FC @9.8' (3m) (82° Full ON)
- 345 LUX 32 FC @13.1' (4m) (82° Full ON)
- 227 LUX 21 FC @16.4' (5m) (82° Full ON)

EFFECTS

- Strobe and Chase Effects
- Individual COB Module Control
- Variable and Selectable Dimming Curves

CONTROL / CONNECTIONS

- 8 DMX Channel Modes (3 / 4 / 6 / 9 / 30 / 33 / 36 / 60)
- 4 Button Control Panel and LCD Menu Display
- ArtNet + KlingNET Protocol Support
- RDM (Remote Device Management)
- (2) RJ45 Ports
- 3pin and 5pin DMX In/Out
- powerCON Power In/Out

SIZE / WEIGHT

- Length: 43.3" (1100mm)
- Width: 6.4" (121mm)
- Vertical Height: 6.8" (172mm)
- Weight: 21.0 lbs. (9.5 kg)

ELECTRICAL / THERMAL

- AC 110-250V - 50/60Hz
- 312W Max Power Consumption
- Power Linking: (5) Units at 120V (10) Units at 240V
- 5°F to 113°F (-15°C to 45°C)

APPROVALS / RATINGS

IP20

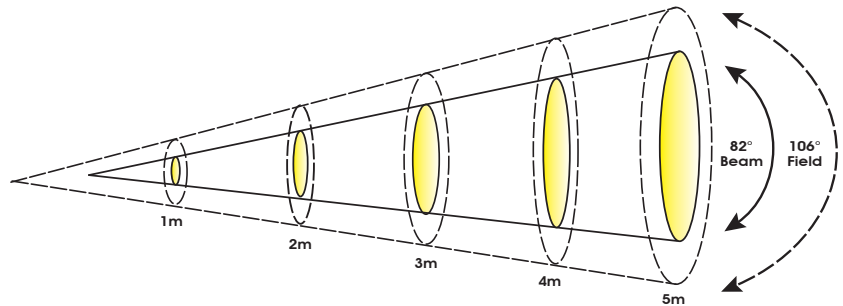
INSTALLATION

- Rigging: Integrated Rigging Bracket
- Working Position: Any (360°)

INCLUDED ITEMS

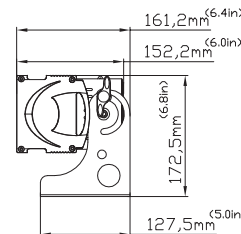
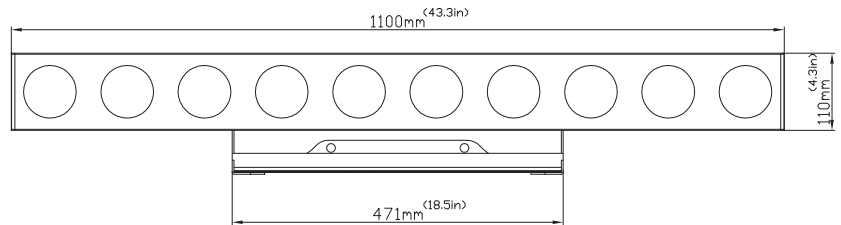
- powerCON Cable

PHOTOMETRIC DATA



Distance	m	ft	m	ft	m	ft	m	ft	m	ft
82° Beam Diameter	1.74	5.7	3.48	11.4	5.22	17.1	6.96	22.8	8.67	28.4
106° Field Diameter	2.65	8.7	5.31	17.4	7.96	26.1	10.62	34.8	13.27	43.5
Photometrics	lux	fc	lux	fc	lux	fc	lux	fc	lux	fc
RED LEDs	1,024	95	325	30	162	15	94	9	61	6
GREEN LEDs	1,165	108	363	34	183	17	105	10	70	7
BLUE LEDs	1,510	140	475	44	237	22	136	13	91	8
FULL ON	3,890	361	1,237	115	613	57	345	32	227	21

DIMENSIONAL DIAGRAMS



OPTIONAL ACCESSORIES

ORDER CODE	ITEM
TRIGGER CLAMP	Heavy Duty Wrap Around Hook Style Clamp
EWDMXSYSTEM	Wireless DMX System (1 Transmitter, 1 Receiver)
EWDMXTX	Wireless DMX Transmitter
EWDMXRX	Wireless DMX Receiver
AC3PDMX5PRO	5 ft. (1.5m) 3pin PRO DMX Cable
AC3PDMX10PRO	10 ft. (3m) 3pin PRO DMX Cable
AC5PDMX5PRO	5 ft. (1.5m) 5pin PRO DMX Cable
AC5PDMX10PRO	10 ft. (3m) 5pin PRO DMX Cable
PLC3	3' (1m) PowerCON PRO Link Cable
PLC6	6' (1.8m) PowerCON PRO Link Cable
CAT005	5' (1.5m) CAT6 Ethercon Cable
CAT010	10' (3m) CAT6 Ethercon Cable
	Additional cable lengths available



Specifications are subject to change without notice ©Elation Professional

Elation Professional USA | 6122 S. Eastern Ave. | Los Angeles, CA. 90040
323-582-3322 | 323-832-9142 fax | www.elationlighting.com | info@elationlighting.com

Elation Professional B.V. | Junostraat 2 | 6468 EW Kerkrade, Netherlands
+31 45 546 85 66 | +31 45 546 85 96 fax | www.elationlighting.eu | info@elationlighting.eu