



## DESIGN WASH LED ZOOM CW™

SKU# DWZ068

The Design Wash LED Zoom™ is a high output pro grade cool white zoom wash LED luminaire featuring (108) 3W Osram™ 7,500K Cool White LEDs, producing 8,300 total lumens with a 6° to 19° motorized zoom, 0-100% dimming, 1-18 fps strobe and pulse effect, 16bit pan and tilt movement, 3pin and 5pin DMX in/ out connections, flicker free operation for broadcast TV and FILM, (4) button control LCD menu display, 350W max power consumption, and a multi-voltage universal auto switching power supply (100-240v).

ELATION | DESIGN WASH LED ZOOM CW™ | Product Specification Sheet



### FEATURES

**High Output Pro Grade Zoom Wash LED Luminaire**

**(108) 3W Osram™ 7,500K Cool White LEDs**

**8,300 Total Lumens**

**6° to 19° Motorized Zoom**

**0-100% Dimming**

**1-18 fps Strobe and Pulse Effect**

**Flicker Free Operation for Broadcast TV and FILM**



Specifications are subject to change without notice ©Elation Professional

Elation Professional USA | 6122 S. Eastern Ave. | Los Angeles, CA. 90040  
323-582-3322 | 323-832-9142 fax | www.elationlighting.com | info@elationlighting.com

Elation Professional B.V. | Junostraat 2 | 6468 EW Kerkrade, Netherlands  
+31 45 546 85 66 | +31 45 546 85 96 fax | www.elationlighting.eu | info@elationlighting.eu

**PRODUCT SPECIFICATIONS**

**FEATURES**

High Output Pro Grade Zoom Wash LED Luminaire  
 8,300 Total Lumens  
 6° - 19° Motorized Zoom  
 Flicker Free Operation for Broadcast TV and FILM

**SOURCE**

(108) 3W Osram™ 7,500K Cool White LEDs  
 50,000 Hour Average LED Life

**PHOTOMETRIC DATA**

Distance @8.2 ft (2.5m)  
 68,380 LUX 6,353 FC (6° Min Zoom Full ON)  
 7,202 LUX 669 FC (19° Max Zoom Full ON)

**EFFECTS**

Dimming: 0% - 100%  
 Strobe: 1-18fps

**CONTROL / CONNECTIONS**

(10) DMX Channels  
 (4) Button Control Panel  
 LCD Menu Display  
 8 / 16 Bit Resolution Adjustable Movement  
 3pin and 5pin DMX In/Out

**SIZE / WEIGHT**

Length: 13.4" (341mm)  
 Width: 8.7" (220mm)  
 Vertical Height: 17.5" (445)  
 Weight: 21.0 lbs. (9.5 kg)

**ELECTRICAL / THERMAL**

AC 100-240V - 50/60Hz  
 350W Max Power Consumption  
 14°F to 113°F (-10°C to 45°C)

**APPROVALS / RATINGS**

CE | P20 |



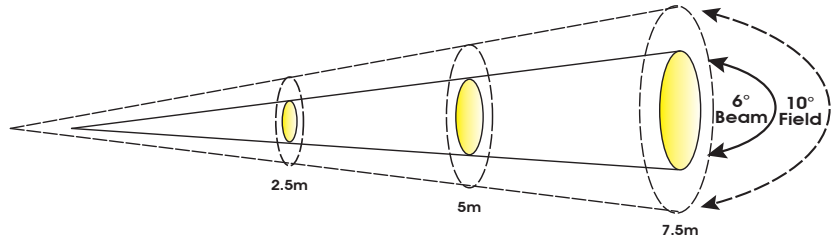
**INSTALLATION**

Rigging: Clamps (Not Included)  
 Working Position: Flat Surface / Inverted (180°)

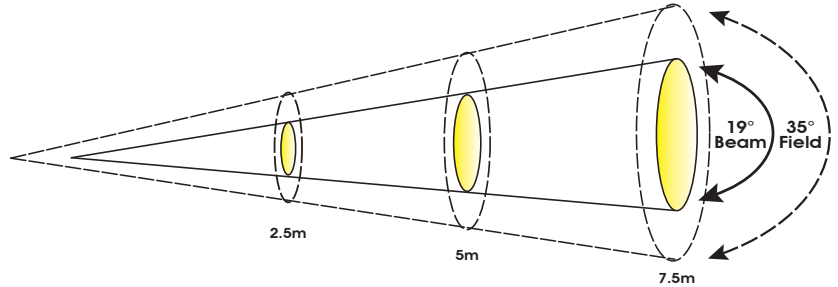
**INCLUDED ITEMS**

- (1) Omega Bracket
- (1) 3pin DMX Cable
- (1) Safety Cable

**PHOTOMETRIC DATA**

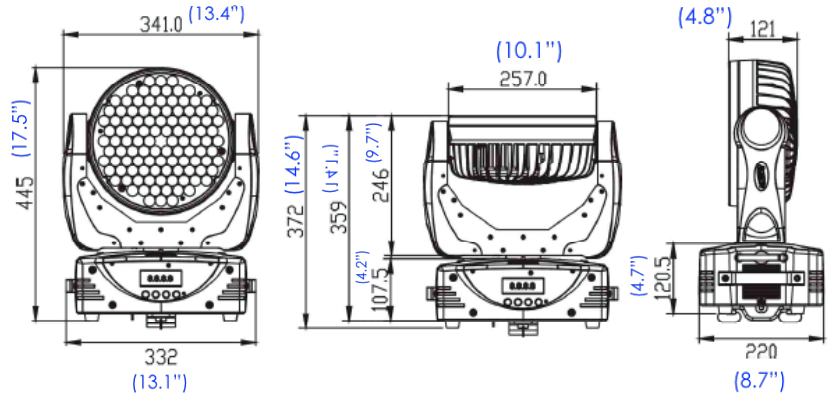


Distance	m		ft		m		ft	
	2.5	8.2	5	16.4	7.5	24.6		
6° Beam Diameter	0.24	0.8	0.48	1.6	0.72	2.4		
10° Field Diameter	0.44	1.4	0.88	2.9	1.32	4.3		
<b>FULL ON</b>	<b>lux</b>	<b>fc</b>	<b>lux</b>	<b>fc</b>	<b>lux</b>	<b>fc</b>		
	68,380	6,353	18,820	1,748	9,200	855		



Distance	m		ft		m		ft	
	2.5	8.2	5	16.4	7.5	24.6		
19° Beam Diameter	0.83	2.7	1.66	5.4	2.49	8.2		
35° Field Diameter	1.58	5.2	3.16	10.4	4.74	15.6		
<b>FULL ON</b>	<b>lux</b>	<b>fc</b>	<b>lux</b>	<b>fc</b>	<b>lux</b>	<b>fc</b>		
	7,202	669	1,837	171	870	81		

**DIMENSIONAL DIAGRAMS**



**OPTIONAL ACCESSORIES**

ORDER CODE	ITEM
TRIGGER CLAMP	Heavy Duty Wrap Around Hook Style Clamp
EWDMSYSTEM	Wireless DMX System (1 Transmitter, 1 Receiver)
EWDMXT	Wireless DMX Transmitter
EWDMXR	Wireless DMX Receiver
AC3PDMX5PRO	5 ft. (1.5m) 3pin PRO DMX Cable
AC5PDMX5PRO	5 ft. (1.5m) 5pin PRO DMX Cable
	Additional cable lengths available



Specifications are subject to change without notice ©Elation Professional

Elation Professional USA | 6122 S. Eastern Ave. | Los Angeles, CA. 90040  
 323-582-3322 | 323-832-9142 fax | www.elationlighting.com | info@elationlighting.com

Elation Professional B.V. | Junostraat 2 | 6468 EW Kerkrade, Netherlands  
 +31 45 546 85 66 | +31 45 546 85 96 fax | www.elationlighting.eu | info@elationlighting.eu