



FLEX PIXEL DRIVER 1™

SKU# FLE768

The FLEX PIXEL DRIVER 1™ is a professional dedicated DMX driver for LED pixel tapes that supports up to 144 pixels / 2 tapes, and up to 432 DMX channels of control.

Its small compact design allows for easy mounting and integration into any system. It features an LED control display, separate 3pin terminals for DMX IN and OUT, a 6pin terminal for power IN, and operates on 5VDC.



FEATURES

Professional LED Driver for LED-Tape (144 Pixels / 2 Tapes)
LED Control Display

CONTROL / CONNECTIONS

DMX IN via 3pin Terminal
DMX OUT via 3pin Terminal
Power IN via 6pin Terminal

SIZE / WEIGHT

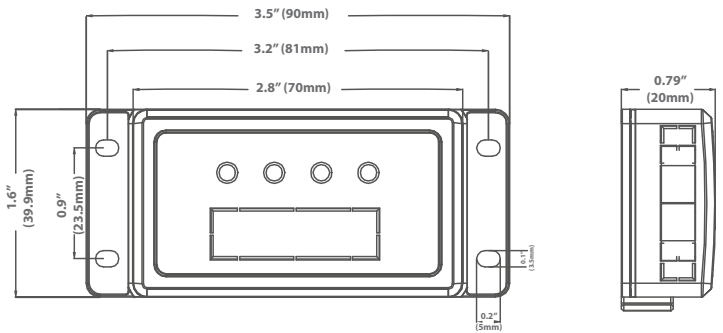
Length: 3.5" (90mm)
Width: 1.6" (40mm)
Height: 0.8" (20mm)
Weight: 0.12 lbs. (0.055kg)

INCLUDED ACCESSORIES

- (1) Flex Pixel Tape Jumper First Cable
- (1) Flex Pixel Tape Power Cable



DIMENSIONAL DIAGRAMS



OPTIONAL ACCESSORIES

ORDER CODE	ITEM
FLE781	FLEX PIXEL 5VDC 5a Universal Power Supply (120/240V)
S-150-5	5VDC 150W Power Supply
FPT-JC	FLEX PIXEL TAPE JUMPER FIRST CABLE
FPT-PC	FLEX PIXEL TAPE POWER CABLE

Specifications subject to change without notice ©Elation Professional

Elation Professional USA | 6122 S. Eastern Ave. | Los Angeles, CA. 90040
323-582-3322 | 323-832-9142 fax | www.elationlighting.com | info@elationlighting.com

Elation Professional B.V. | Junostraat 2 | 6468 EW Kerkrade, Netherlands
+31 45 546 85 66 | +31 45 546 85 96 fax | www.elationlighting.eu | info@elationlighting.eu