

LEVEL Q7 IP™

user manual

©2013 ELATION PROFESSIONAL all rights reserved. Information, specifications, diagrams, images, and instructions herein are subject to change without notice. ELATION PROFESSIONAL logo and identifying product names and numbers herein are trademarks of ELATION PROFESSIONAL. Copyright protection claimed includes all forms and matters of copyrightable materials and information now allowed by statutory or judicial law or hereinafter granted. Product names used in this document may be trademarks or registered trademarks of their respective companies and are hereby acknowledged. All non-ELATION brands and product names are trademarks or registered trademarks of their respective companies.

ELATION PROFESSIONAL and all affiliated companies hereby disclaim any and all liabilities for property, equipment, building, and electrical damages, injuries to any persons, and direct or indirect economic loss associated with the use or reliance of any information contained within this document, and/or as a result of the improper, unsafe, insufficient and negligent assembly, installation, rigging, and operation of this product.

Elation Professional USA | 6122 S. Eastern Ave. | Los Angeles, CA. 90040

323-582-3322 | 323-832-9142 fax | www.elationlighting.com | info@elationlighting.com

Elation Professional B.V. | Junostraat 2 | 6468 EW Kerkrade, Netherlands

+31 45 546 85 66 | +31 45 546 85 96 fax | www.elationlighting.eu | info@elationlighting.eu

DOCUMENT VERSION



Please check www.elationlighting.com for the latest revision/update of this manual.

Date	Document Version	Software Version	DMX Channel Modes	Notes
2013	1	≥1.0.0	4/5/7/12/17	Initial release.

CONTENTS

General Information	4
Warranty	7
Safety Instructions	8
General Guidelines	9
Fixture Overview	10
Mounting and Installation	11
Understanding DMX	14
Fixture Menu	18
DMX Channel Values	31
Cleaning and Maintenance	33
Technical Specifications	34
Optional Accessories	37
cETLus Approval Mark	37

GENERAL INFORMATION

INTRODUCTION

Congratulations, you have just purchased one of the most innovative and reliable ArtNet to DMX converter on the market today! The **LEVEL Q7 IP™** has been designed to perform reliably for years when the guidelines in this booklet are followed. Please read and understand the instructions in this manual carefully and thoroughly before attempting to operate this unit. These instructions contain important information regarding safety during use and maintenance.



IP65 RATED

An IP rated lighting fixture is one, which is commonly installed in outdoor environments and has been designed with an enclosure that effectively protects the ingress (entry) of external foreign objects such as dust and water. The **International Protection (IP)** rating system is commonly expressed as "**IP**" (Ingress Protection) followed by two numbers (i.e. IP65) where the numbers define the degree of protection. The first digit (Foreign Bodies Protection) indicates the extent of protection against particles entering the fixture and the second digit (Water Protection) indicates the extent of protection against water entering the fixture. An IP65 rated lighting fixture is one, which has been designed and tested to protect against the ingress of dust (6) and high-pressure water jets from any direction (5).



MARINE / COASTAL ENVIRONMENT INSTALLATIONS!

Please note although this fixture is IP rated, the fixture is **NOT** suitable for marine and/or coastal environment installations. Installing this fixture in a marine and/or coastal environment may cause corrosion and/or excessive wear to the interior and/or exterior components of the fixture. Damages and/or performance issues resulting from installation in a marine and/or coastal environment will void the manufactures warranty and will **NOT** be subject to any warranty claims and/or repairs.



OPTIONAL CORROSION-RESISTANT COATING

Optional Corrosion-Resistant Coatings may be available for this fixture. Please consult your **Elation Professional** sales representative for details.

UNPACKING

Thank you for purchasing the **LEVEL Q7 IP™** by Elation Professional®. Every **LEVEL Q7 IP™** has been thoroughly tested and has been shipped in perfect operating condition. Carefully check the shipping carton for damage that may have occurred during shipping. If the carton appears to be damaged, carefully inspect your unit for damage and be sure all accessories necessary to operate the unit have arrived intact. In the event damage has been found or parts are missing, please contact our customer support team for further instructions. Please do not return this unit to your dealer without first contacting customer support at the number listed below. Please do not discard the shipping carton in the trash. Please recycle whenever possible.

BOX CONTENTS

- (1) IP Power Cable
- (1) IP 3pin DMX Cable
- (1) Safety Cable
- (1) Gel Frame, Gel Frame Holder, and Frost Filter Gel
- Manual & Warranty Card

CUSTOMER SUPPORT

Elation Professional® provides a customer support line, to provide set up help and to answer any question should you encounter problems during your set up or initial operation. You may also visit us on the web at www.elationlighting.com for any comments or suggestions. For service related issue please contact Elation Professional®.

ELATION SERVICE USA - Monday - Friday 8:00am to 5:00pm PST

Voice: 323-582-3322

Fax: 323-832-9142

E-mail: support@elationlighting.com

ELATION SERVICE EUROPE - Monday - Friday 08:30 to 17:00 CET

Voice: +31 45 546 85 30

Fax: +31 45 546 85 96

E-mail: support@elationlighting.eu

WARRANTY REGISTRATION

The **LEVEL Q7 IP™** carries a two-year (730 days) limited warranty. Please fill out the enclosed warranty card to validate your purchase. All returned service items whether under warranty or not, must be freight pre-paid and accompany a return authorization (R.A.) number. The R.A. number must be clearly written on the outside of the return package. A brief description of the problem as well as the R.A. number must also be written down on a piece of paper and included in the shipping container. If the unit is under warranty, you must provide a copy of your proof of purchase invoice. Items returned without a R.A. number clearly marked on the outside of the package will be refused and returned at customer's expense. You may obtain a R.A. number by contacting customer support at 323-582-3322.



IMPORTANT NOTICE!

There are no user serviceable parts inside this unit. Do not attempt any repairs yourself; doing so will void your manufactures warranty. Damages resulting from modifications to this fixture and/or the disregard of safety and general user instructions found in this user manual void the manufactures warranty and are not subject to any warranty claims and/or repairs.

2-YEAR LIMITED WARRANTY

A. Elation Professional® hereby warrants, to the original purchaser, Elation Professional® products to be free of manufacturing defects in material and workmanship for a period of two years, (730 days) from the date of purchase. This warranty shall be valid only if the product is purchased within the United States of America, including possessions and territories. It is the owner's responsibility to establish the date and place of purchase by acceptable evidence, at the time service is sought.

B. For warranty service, send the product only to the Elation Professional® factory. All shipping charges must be pre-paid. If the requested repairs or service (including parts replacement) are within the terms of this warranty, Elation Professional® will pay return shipping charges only to a designated point within the United States. If the entire instrument is sent, it must be shipped in its original package. No accessories should be shipped with the product. If any accessories are shipped with the product, Elation Professional® shall have no liability what so ever for loss of or damage to any such accessories, nor for the safe return thereof.

C. This warranty is void if the serial number has been altered or removed; if the product is modified in any manner which Elation Professional® concludes, after inspection, affects the reliability of the product; if the product has been repaired or serviced by anyone other than the Elation Professional® factory unless prior written authorization was issued to purchaser by Elation Professional®; if the product is damaged because not properly maintained as set forth in the instruction manual.

D. This is not a service contract, and this warranty does not include maintenance, cleaning or periodic check-up. During the period specified above, Elation Professional® will replace defective parts at its expense, and will absorb all expenses for warranty service and repair labor by reason of defects in material or workmanship. The sole responsibility of Elation Professional® under this warranty shall be limited to the repair of the product, or replacement thereof, including parts, at the sole discretion of Elation Professional®. All products covered by this warranty were manufactured after January 1, 1990, and bare identifying marks to that effect.

E. Elation Professional® reserves the right to make changes in design and/or improvements upon its products without any obligation to include these changes in any products theretofore manufactured.

F. No warranty, whether expressed or implied, is given or made with respect to any accessory supplied with products described above. Except to the extent prohibited by applicable law, all implied warranties made by Elation Professional® in connection with this product, including warranties of merchantability or fitness, are limited in duration to the warranty period set forth above. And no warranties, whether expressed or implied, including warranties of merchantability or fitness, shall apply to this product after said period has expired. The consumer's and or Dealer's sole remedy shall be such repair or replacement as is expressly provided above; and under no circumstances shall Elation Professional® be liable for any loss or damage, direct or consequential, arising out of the use of, or inability to use, this product.

G. This warranty is the only written warranty applicable to Elation Professional® Products and supersedes all prior warranties and written descriptions of warranty terms and conditions heretofore published.

SAFETY INSTRUCTIONS



The **LEVEL Q7 IP™** is an extremely sophisticated piece of electronic equipment. To guarantee a smooth operation, it is important to follow the guidelines in this manual. The manufacturer of this device will not accept responsibility for damages resulting from the misuse of this fixture due to the disregard of the information printed in this manual.



This device falls under **PROTECTION CLASS 1**. It's essential this device is grounded properly, and only qualified personnel perform all electrical connections.



CAUTION!

Never touch the device during operation!
The housing may heat up



CAUTION!

Never look directly into the light source,
as sensitive persons may suffer an epileptic shock.



CAUTION!

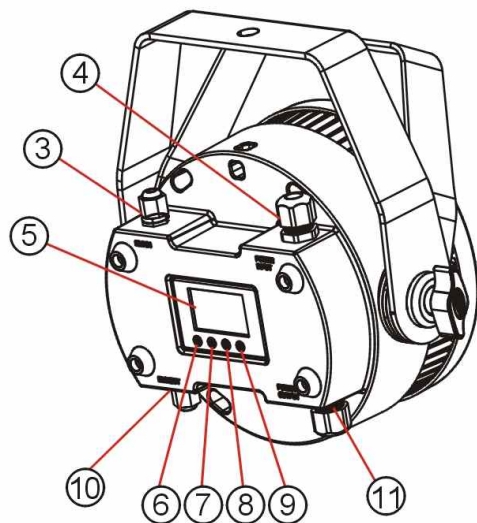
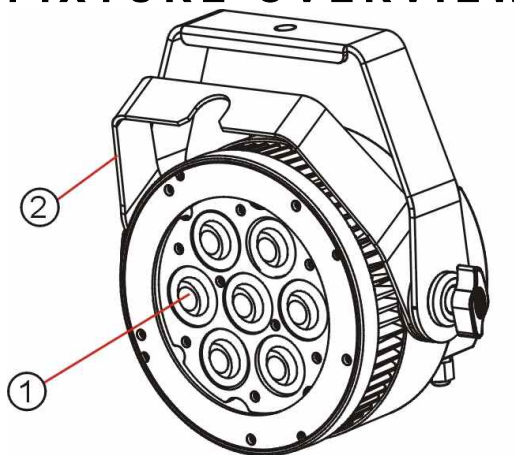
Unplug mains lead before opening the housing.

- For proper operation, follow the **Installation** guidelines described in this manual. Only qualified and certified personnel should perform installation of this fixture and only the original rigging parts (brackets, holders, clamps, safety cables) included with this fixture should be used for installation. Any modifications will void the original manufacturer's warranty and increase the risk of damage and/or personal injury.
- Never look directly into the light source of this fixture to prevent risk of injury to your retina, which may induce blindness. Those suffering from **EPILEPSY** should avoid looking directly into the light source of this unit at all times.
- The fan and air inlets must remain clean and never blocked. Allow approx. 6" (15cm) between this fixture and other devices or a wall for proper cooling.
- Always disconnect from main power source before performing any type of service and/or cleaning procedure. Only handle the power cord by the plug end, never pull out the plug by tugging the wire portion of the cord.
- Do not operate this fixture if the power cord has become frayed, crimped and/or damaged. If the power cord is damaged, replace it immediately with a new one of similar power rating.

GENERAL GUIDELINES

- **NEVER OPEN THIS FIXTURE WHILE IN USE!**
- During the initial operation of this fixture, a light smoke or smell may emit from the interior of the fixture. This is a normal process and is caused by excess paint in the interior of the casing burning off from the heat associated with the lamp and will decrease gradually over time.
- This fixture is a professional lighting effect designed for use on stage, in nightclubs, theatres, etc. Do not attempt installation and/or operation without proper knowledge of how to do so.
- Do not permit operation by persons who are not qualified for operating this type of theatrical fixture. Most damages are the result of operations by nonprofessionals.
- Consistent operational breaks may ensure the fixture will function properly for many years to come.
- Do not shake fixture, avoid brute force when installing and/or operating the device.
- Always install the fixture with an appropriate safety cable. When installing the fixture in a suspended environment, always use mounting hardware that is no less than M10 x 25 mm, also be sure the hardware is insert in the pre-arranged screw holes in the base of the fixture.
- Please use the original packaging and materials to transport the fixture in for service.

FIXTURE OVERVIEW



- 1: LED Lens Assembly**
- 2: Mounting Bracket/Stand**
- 3: DMX IN**
- 4: Power IN**
- 5: LED Menu Control Display**
- 6: MODE/ESC Button**
- 7: UP Button**
- 8: DOWN Button**
- 9: ENTER Button**
- 10: DMX OUT**
- 11: Power OUT**

- 1. LED Lens Assembly** – 7 RGBW Quad LEDs comprise the LED assembly.
- 2. Mounting Bracket / Stand**– Used to mount fixture.
- 3. DMX IN** – Accepts incoming DMX signal via a male 5-pin XLR jack.
- 4. Power IN** – Power connection (powerCON) to power source.
- 5. LED Menu Control Display** – Fixture menu display.
- 6. MODE/ESC Button** – Used to access the menu functions and exit the current command.
- 7. UP Button** – Used to toggle forward through the menu functions and settings.
- 8. DOWN Button** – Used to toggle down or back through the menu functions and settings.
- 9. ENTER Button** – Used to enter into or lock a certain menu function.
- 10. DMX OUT** – Provides outgoing DMX signal via a female 5-pin XLR jack.
- 11. Power OUT** – Power connection to daisy chain to another unit.

MOUNTING AND INSTALLATION



CAUTION!

Please consider the GB7000.15/EN60598-2-17 and the other respective national norms during the installation. The installation must only be carried out by a qualified person.



CAUTION!

The electric connection must only be carried out by a qualified electrician.

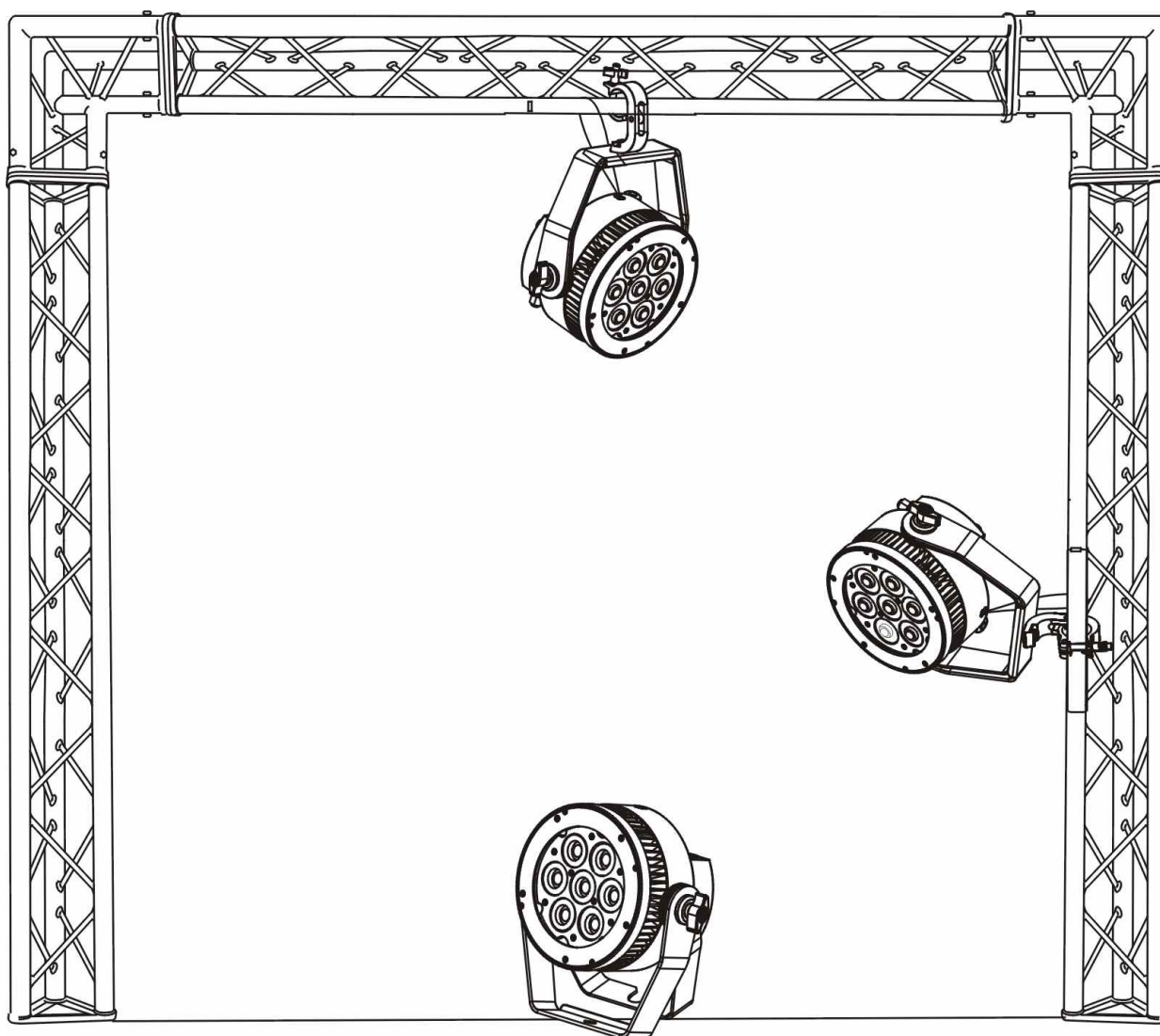


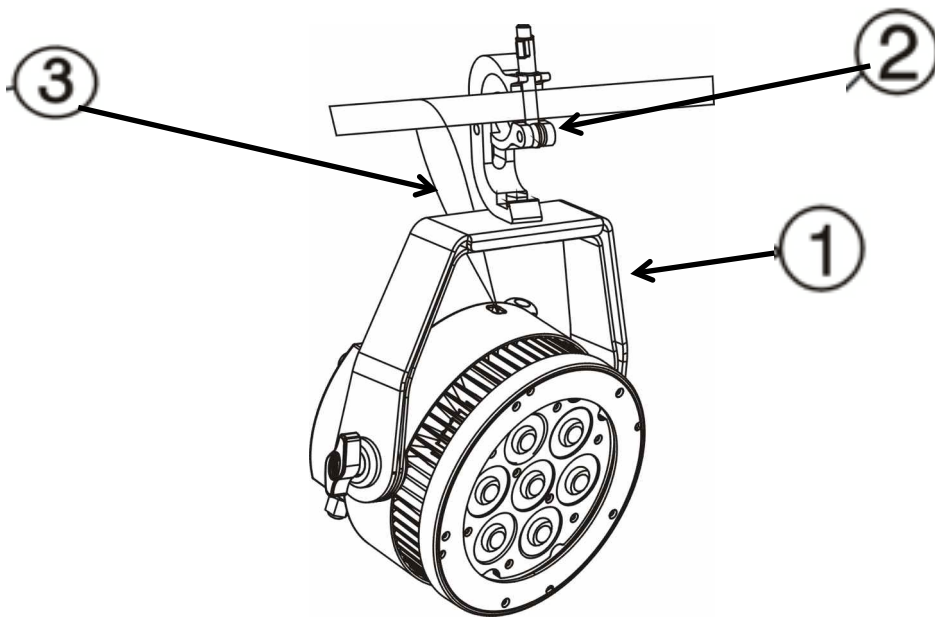
CAUTIONS

- The recommended temperature for this fixture is **-13°F to 113°F (-25°C to 45°C)**.
Do not use the fixture under or above this temperature.
- For added protection, mount the fixture in areas outside walking paths, seating areas, or in areas where unauthorized personnel might reach the fixture.
- Before mounting the fixture to any surface, make sure the installation area can hold a minimum point load of 10 times the weight of the fixture.
(90 lbs / 40 kgs)
- Fixture installation must always be secured with a secondary safety attachment, such as an appropriate safety cable.
- Never stand directly below the device when mounting, removing or servicing the fixture.

MOUNTING POINTS

- Overhead mounting requires extensive experience, including amongst others calculating working load limits, installation material being used, and periodic safety inspection of all installation material and the device. If you lack these qualifications, do not attempt the installation yourself. Improper installation can result in bodily injury.
- Fixture is fully operational in any mounting position, hanging upside-down, side mounted, or on any flat level surface, and will remain steady no matter the angle of the fixture head.
- Be sure the fixture is kept at least 0.5m (1.5 feet) away from any flammable materials (decoration etc.).





(1) Mounting Bracket / Stand (included)

(2) Clamp (optional)

(3) Safety Cable (included)

INSTALLATION VIA MOUNTING BRACKET / STAND

- Attach a clamp to center $\Phi 13$ hole on the Mounting Bracket using an M12 screw.
- Pull provided Safety Cable through mounting bracker and over the trussing system or a safe installation.



This step is a very important to ensure the fixture will not drop if the clamp fails.

UNDERSTANDING DMX

DMX-512

DMX is short for Digital Multiplex. This is a universal protocol used by most lighting and controller manufactures as a form of communication between intelligent fixtures and controllers. DMX allows all makes and models of different manufactures to be linked together and operate from a single controller. This is possible as long as all the fixtures and the controller are DMX compliant. A DMX controller sends the DMX data instructions to the fixture allowing the user to control the different aspects of an intelligent light. DMX data is sent out as serial data that travels from fixture to fixture via data “IN” and data “OUT” XLR terminals located on the fixtures (most controllers will only have output jacks).

DMX LINKING

To ensure proper DMX data transmission, always use proper DMX cables and a terminator. When using several DMX fixtures try to use the shortest cable path possible. Never split a DMX line with a “Y” style connector. The order in which the fixtures are connected in a DMX line does not influence the DMX addressing. For example; a fixture assigned a starting DMX address of 1 may be placed anywhere in the DMX chain, at the beginning, at the end, or anywhere in the middle. The DMX controller knows to send data assigned to address 1 to that fixture no matter where it is located in the DMX chain. The DMX address is set electronically using the controls on the LCD menu.

DATA CABLE (DMX Cable) REQUIREMENTS (For DMX and Master/Slave Operation)

Your fixture and your DMX controller require a standard 3-pin or 5-pin XLR connector for data input and data output (see figure below). If you are making your own cables, be sure to use two conductor, shielded digital DMX cable rated at 120 ohms; this cable is designed for DMX transmission and may be purchased from your Elation dealer or at most professional lighting retailers. Your cables should be made with a male and female XLR connector on either end of the cable. Also, remember that a DMX line must be daisy chained and cannot be split, unless using an approved DMX splitter such as the Elation Opto Branch 4™ or DMX Branch/4™.

DMX Output
3-Pin XLR Socket



DMX Input
3-Pin XLR Socket

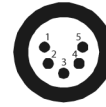


- 1: Ground
- 2: Data (-)
- 3: Data (+)


DMX Output
5-Pin XLR Socket



DMX Input
5-Pin XLR Socket



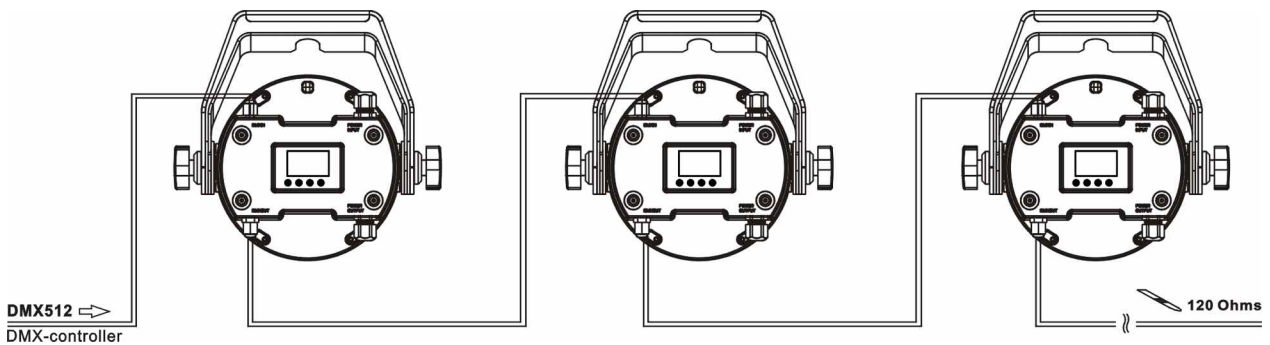
- 1: Ground
- 2: Data (-)
- 3: Data (+)
- 4: Open
- 5: Open



Be sure to follow the above figure when making your own cables. Do not use the ground lug on the XLR connector. Do not connect the cable's shield conductor to the ground lug or allow the shield conductor to come in contact with the XLR outer casing. Grounding the shield could cause a short circuit and erratic behavior.

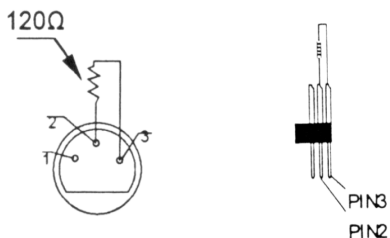
DMX-512 CONTROLLER CONNECTION

Connect the provided XLR cable to the female XLR output of your controller and the other side to the male XLR input of the **LEVEL Q7 IP™** (Please refer to the diagram below.). You can chain multiple panels together through serial linking. The cable that should be used is two conductor, shielded DMX cable with XLR input and output connectors. Always be sure daisy chain your in and out data connections, never split or “Y” your DMX connections unless you are using an approved DMX splitter such as the Elation Opto Branch 4™ or DMX Branch/4™.



DMX-512 CONNECTION WITH DMX TERMINATOR

A DMX terminator should be used in all DMX lines especially in longer runs. The use of a terminator may avoid erratic behavior in your DMX line. A terminator is a 120 ohm 1/4 watt resistor that is connected between pins 2 and 3 of a male XLR connector (DATA + and DATA -). This fixture is inserted in the female XLR connector of the last fixture in your daisy chain to terminate the line. Using a *line terminator (Elation part: DMX T PACK)* will decrease the possibilities of erratic behavior.



Termination reduces signal errors and avoids signal transmission problems and interference. It is always advisable to connect a DMX terminal, (Resistance 120 Ohm 1/4 W) between PIN 2 (DMX-) and PIN 3 (DMX +) of the last fixture.

5-Pin XLR DMX CONNECTORS

Some manufactures use 5-pin XLR connectors for DATA transmission in place of 3-pin. 5-pin XLR fixtures may be implemented in a 3-pin XLR DMX line. When inserting standard 5-pin XLR connectors in to a 3-pin line a cable adaptor must be used, these adaptors are readily available at most electric stores. The following chart details a proper cable conversion.

3-Pin XLR to 5-Pin XLR Conversion		
Conductor	3-Pin XLR Female (Out)	5-Pin XLR Male (In)
Ground/Shield	Pin 1	Pin 1
Data Compliment (- signal)	Pin 2	Pin 2
Data True (+ signal)	Pin 3	Pin 3
Not Used		Pin 4 - Do Not Use
Not Used		Pin 5 - Do Not Use

DMX ADDRESSING

All fixtures should be given a DMX starting address when using a DMX controller, so the correct fixture responds to the correct control signal. This digital starting address is the channel number from which the fixture starts to “listen” to the digital control information sent out from the DMX controller. The allocation of this starting DMX address is achieved by setting the correct DMX address on the digital display located on the back of the fixture.

You can set the same starting address for all fixtures or a group of fixtures, or set different address for each individual fixture. Be advised that setting all fixtures to the same DMX address will subsequently control all fixtures in the same fashion, in other words, changing the settings of one channel will affect all the fixtures simultaneously.

If you set each fixture to a different DMX address, each unit will start to “listen” to the channel number you have set, based on the quantity of control channels (DMX channels) of each fixture. That means changing the settings of one channel will only affect the selected fixture.

In the case of the **LEVEL Q7 IP™**, when in **9 Channel Mode** (default can also be set to 4, 5, 7, or 9), you should set the starting DMX address of the first unit to 1, the second unit to 10 (1 + 9), the third unit to 19 (10 + 9), the fourth unit to 28 (19 + 9) and so on.

Note: During start-up the **LEVEL Q7 IP™** will automatically detect whether a DMX data signal is being received or not. If DMX data signal is being received, the display will show "**Addr=XXX**" (**XXX** representing the actual DMX address). If the fixture is not receiving a DMX signal the display will flash. If your fixture is connected to a DMX controller and the display is flashing (not receiving a DMX signal), please check the following:

- The 3-PIN or 5-PIN XLR input plug (cable with DMX signal from controller) is not connected or is not inserted completely into the DMX input jack of the fixture.
- The DMX controller is switched off or defective.
- The DMX cable or connector is defective.
- A DMX terminator has been inserted into the last fixture in your DMX chain.

FIXTURE MENU

ON-BOARD SYSTEM MENU

The **LEVEL Q7 IP™** comes with an easy to navigate system menu. The next section will detail the functions of each command in the system menu.

LED CONTROL PANEL

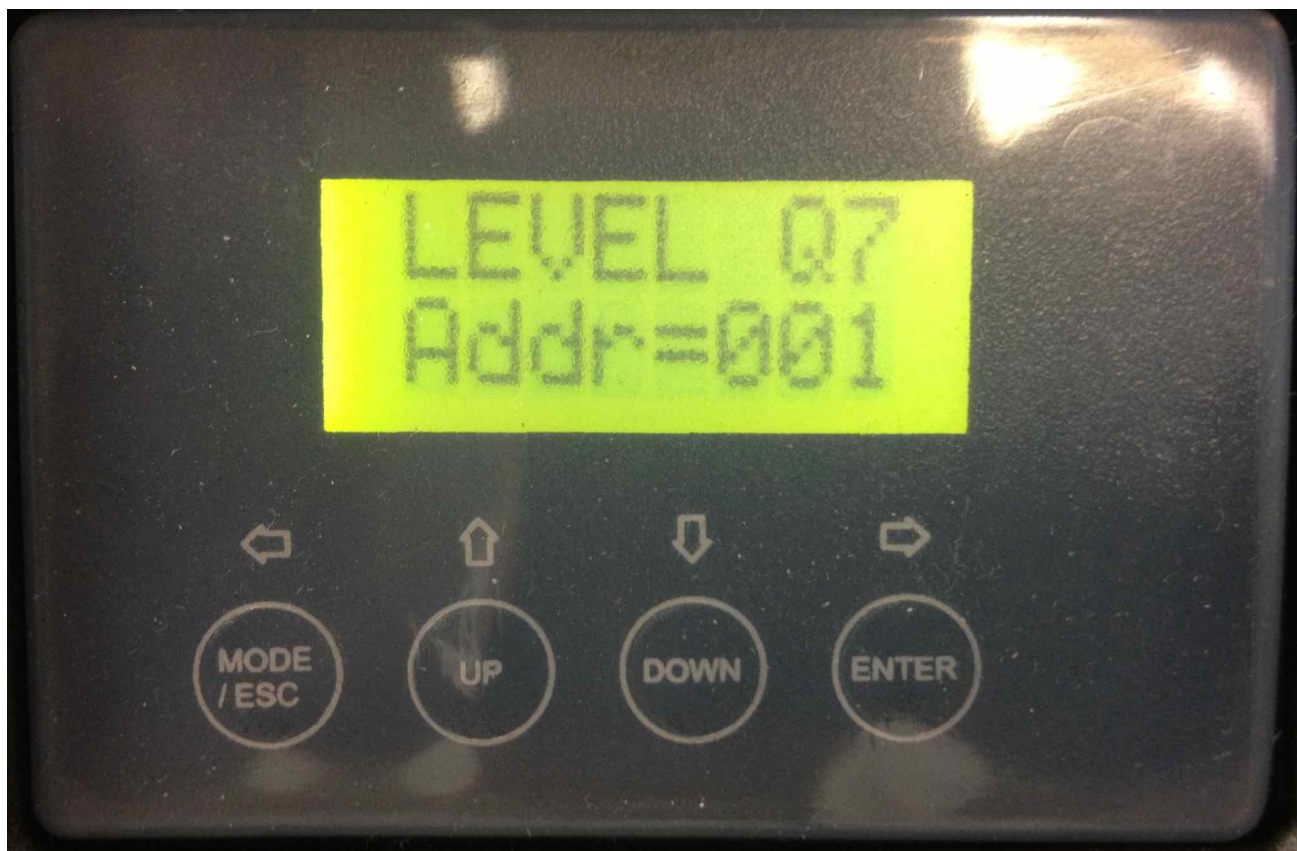
The **LEVEL Q7 IP™** control panel (see image below) located on back of the fixture offers several features to select from such as setting the DMX address, running pre-programmed macros, changing display options, and resetting the fixture to factory defaults.

There are (4) buttons, which are explained below.

[MODE/ESC] Press this button to enter the fixture menus and to return to the previous menu. The display will automatically exit the fixture menus in 10 seconds from the last button press.

[UP] [DOWN] Press these buttons to navigate through the different menu functions and access sub-menu sections.

[ENTER] Press this button to select a menu item and press again to confirm your selection.



LEVEL Q7 IP™ SYSTEM MENU - VERSION 1			*Default Settings Shaded
FUNCMODE	Address ValuDisp SetSlave Auto Program	001~509 Auto...Red... Slave1, Slave2, Slave3 Master / Alone	DMX Address Setting DMX Value Display Slave Setting Auto Program
INFO	TimeInfo	Cur Time TotalHrs Last Hrs TimerPass Clr Last	XXXX(Hours) XXXX(Hours) XXXX(Hours) Password=XXX ON/OFF
	TempInfo	HeadTemp	=XXX C / F
	Soft Ver	V1.0	Software Version Of Each IC
PERSNAL	Stat Set	Addr DMX NoDMXSta	ON/OFF CloShut/Hold/Auto
	Disp Set	Off Time Key Lock	ON/OFF
	Temp C/F	Celsius Fahren	Temperature switch Between °C or °F
	Man Hold	ON/OFF	Manual Hold
	ResetDef	ON/OFF	Restore Factory Settings
MANCNTRL	ManCntrl	Auto...Red...Gree.. Blue...Whit...Stro... Dimm...Macr...Temp	Auto = XXX : Temp = XXX
MODE SET	User Mode	4CH Mode 5CH Mode 7CH Mode 9CH Mode	Select DMX Channel Modes

EDITPROG	SelProg	ProPart1 ProPart2 ProPart3	Prog 1 ~ 10 Prog 1 ~ 10 Prog 1 ~ 10		Select Programs To Be Run
	EditProg	Prog 1 ~ : Prog 10	ProgTest, EdStep01 ~EdStep64	T01SCxxx S01SCxxx S64SCxxx	Testing Program Program In Loop Save And Exit
	Edit Scen	Scen 001 ~ Scen 250	Auto..... --ScenTime InByOut	Auto=xxx.. Red=xxx.. TIME=xx.x	Save And Automatically Return Manual Scenes Edit
	RecCntrl	XX ~ XX			Automatic Scenes Recorder

FuncMode - Address

Adjust the desired DMX-address via the Control Board.

1. Access the main menu by pressing **MODE/ESC**.
2. Press the **UP/DOWN** buttons until "**FuncMode**" is displayed and press **ENTER**.
3. Press the **UP/DOWN** buttons until "**Address**" is displayed and press **ENTER**.
4. Press the **UP/DOWN** buttons to select desired DMX address.
5. Press **ENTER** to confirm selection.

FuncMode - ValuDisp

Display the DMX 512 value of each channel.

1. Access the main menu by pressing **MODE/ESC**.
2. Press the **UP/DOWN** buttons until "**FuncMode**" is displayed and press **ENTER**.
3. Press the **UP/DOWN** buttons until "**ValuDisp**" is displayed and press **ENTER**.
4. Press the **UP/DOWN** buttons to select desired value (**All Ch, Auto, Red, Gree, Blue, Whit, Stro, Dimm, Macr, Temp**).
5. Press **ENTER** to confirm selection.

FuncMode - SetSlave

Define the fixture as slave.

1. Access the main menu by pressing **MODE/ESC**.
2. Press the **UP/DOWN** buttons until “**FuncMode**” is displayed and press **ENTER**.
3. Press the **UP/DOWN** buttons until “**SetSlave**” is displayed and press **ENTER**.
4. Press the **UP/DOWN** buttons to select desired value (**Slave 1, Slave 2, Slave 3**).
5. Press **ENTER** to confirm selection.

FuncMode - AutoProg

Define the fixture mode (**= Master, = Alone**) for running Auto Programs. Select the desired internal programs under “**Sel Prog**”, set the number of steps under “**Edit Prog**”, and edit the individual scenes under “**Edit Scen**”.

1. Access the main menu by pressing **MODE/ESC**.
2. Press the **UP/DOWN** buttons until “**FuncMode**” is displayed and press **ENTER**.
3. Press the **UP/DOWN** buttons until “**AutoProg**” is displayed and press **ENTER**.
4. Press the **UP/DOWN** buttons to select desired value (**=Master, =Alone**).
5. Press **ENTER** to confirm selection.

Info - TimeInfo - Cur Time

Display the run time of the fixture from the last power ON.

The counter is reset after turning the device off.

1. Access the main menu by pressing **MODE/ESC**.
2. Press the **UP/DOWN** buttons until “**Info 2**” is displayed and press **ENTER**.
3. Press the **UP/DOWN** buttons until “**TimeInfo**” is displayed and press **ENTER**.
4. Press the **UP/DOWN** buttons until “**Cur Time**” is displayed and press **ENTER** and the display will show “**XXXh**” (hours).
5. Press **MODE/ESC** to return to previous menu or display will automatically exit.

Info - TimeInfo - TotalHrs

Display the total running time of the fixture.

1. Access the main menu by pressing **MODE/ESC**.
2. Press the **UP/DOWN** buttons until “**Info**” is displayed and press **ENTER**.
3. Press the **UP/DOWN** buttons until “**TimeInfo**” is displayed and press **ENTER**.
4. Press the **UP/DOWN** buttons until “**TotalHrs**” is displayed and press **ENTER** and the display will show “**XXXXXh**” (hours).
5. Press **MODE/ESC** to return to previous menu or display will automatically exit.

Info - TimeInfo - Last Hrs

Display the last the running time of the fixture.

1. Access the main menu by pressing **MODE/ESC**.
2. Press the **UP/DOWN** buttons until “**Info**” is displayed and press **ENTER**.
3. Press the **UP/DOWN** buttons until “**TimeInfo**” is displayed and press **ENTER**.
4. Press the **UP/DOWN** buttons until “**Last Hrs**” is displayed and press **ENTER** and the display will show “**XXXXXh**” (hours).
5. Press **MODE/ESC** to return to previous menu or display will automatically exit.

Info - TimeInfo - TimePass

Enter the timer password. (**038**).

1. Access the main menu by pressing **MODE/ESC**.
2. Press the **UP/DOWN** buttons until “**Info**” is displayed and press **ENTER**.
3. Press the **UP/DOWN** buttons until “**TimeInfo**” is displayed and press **ENTER**.
4. Press the **UP/DOWN** buttons until “**TimePass**” is displayed and press **ENTER** and the display will show “**=XXX**”.
5. Press **UP/DOWN** buttons until **038** is displayed and press **ENTER**.
6. Press **MODE/ESC** to return to previous menu or display will automatically exit.

Info - TimeInfo - Clr Last

Clear last run time of the fixture, default is **OFF**.

1. Access the main menu by pressing **MODE/ESC**.
2. Press the **UP/DOWN** buttons until “**Info**” is displayed and press **ENTER**.
3. Press the **UP/DOWN** buttons until “**TimeInfo**” is displayed and press **ENTER**.
4. Press the **UP/DOWN** buttons until “**Clr Last**” is displayed and press **ENTER** and the display will show **(=OFF, =ON)**.
5. Press the **UP/DOWN** buttons to select **(=OFF or =ON)** and press **ENTER** to clear last run time. **NOTE: A correct password must be entered in the TimePass menu in order to clear last run time.**
6. Press **MODE/ESC** to return to previous menu or display will automatically exit.

Info - TempInfo - HeadTemp

Display the temperature of the fixture, default is **Fahrenheit**.

1. Access the main menu by pressing **MODE/ESC**.
2. Press the **UP/DOWN** buttons until “**Info**” is displayed and press **ENTER**.
3. Press the **UP/DOWN** buttons until “**TempInfo**” is displayed and press **ENTER**.
4. Press the **UP/DOWN** buttons until “**HeadTemp**” is displayed and press **ENTER** and the display will show “**=XXXF**” (degrees) °C / °F.
5. Press **MODE/ESC** to return to previous menu or display will automatically exit.

Info - Soft Ver

Display the software version of the fixture.

1. Access the main menu by pressing **MODE/ESC**.
2. Press the **UP/DOWN** buttons until “**Info**” is displayed and press **ENTER**.
3. Press the **UP/DOWN** buttons until “**Soft Ver**” is displayed and press **ENTER** and the display will show “**= VX.X**”. (software version #)
4. Press **MODE/ESC** to return to previous menu or display will automatically exit.

Persnal - Stat Set - Addr DMX

Adjust the desired DMX address via an external controller, default is **ON**.

1. Access the main menu by pressing **MODE/ESC**.
2. Press the **UP/DOWN** buttons until “**Persnal**” is displayed and press **ENTER**.
3. Press the **UP/DOWN** buttons until “**Stat Set**” is displayed and press **ENTER**.
4. Press the **UP/DOWN** buttons until “**Addr DMX**” is displayed and press **ENTER** and the display will show (**=OFF, =ON**).
5. Press the **UP/DOWN** buttons to select (**=OFF or =ON**) and press **ENTER**.
6. Press **MODE/ESC** to return to previous menu or display will automatically exit.

Persnal - Stat Set - NoDMXSta

Fixture runs in Auto Run if no DMX signal is detected. Options include (**=Hold, =Auto, =CloShut**), default is **=Hold**.

1. Access the main menu by pressing **MODE/ESC**.
2. Press the **UP/DOWN** buttons until “**Persnal**” is displayed and press **ENTER**.
3. Press the **UP/DOWN** buttons until “**Stat Set**” is displayed and press **ENTER**.
4. Press the **UP/DOWN** buttons until “**NoDMXSta**” is displayed and press **ENTER**.
5. Press the **UP/DOWN** buttons to select desired value (**=Hold, =Auto, =CloShut**), and press **ENTER** to confirm selection.
6. Press **MODE/ESC** to return to previous menu or display will automatically exit.

Persnal - Disp Set - Off Time

Shut off the LED display after 02 to 59 minutes, default is **05** minutes.

1. Access the main menu by pressing **MODE/ESC**.
2. Press the **UP/DOWN** buttons until “**Persnal**” is displayed and press **ENTER**.
3. Press the **UP/DOWN** buttons until “**Disp Set**” is displayed and press **ENTER**.
4. Press the **UP/DOWN** buttons until “**Off Time**” is displayed and press **ENTER**.
5. Press the **UP/DOWN** buttons to select desired value (**=OFF, 02-59**), and press **ENTER** to confirm selection.
6. Press **MODE/ESC** to return to previous menu or display will automatically exit.

Persnal - Disp Set - Key Lock

Lock the Control Panel buttons automatically after exiting main menu for 15 seconds. Unlock by keeping the **MODE/ESC** button pressed for 3 seconds. Default is **OFF**.

1. Access the main menu by pressing **MODE/ESC**.
2. Press the **UP/DOWN** buttons until "**Persnal**" is displayed and press **ENTER**.
3. Press the **UP/DOWN** buttons until "**Disp Set**" is displayed and press **ENTER**.
4. Press the **UP/DOWN** buttons until "**Key Lock**" is displayed and press **ENTER**.
5. Press the **UP/DOWN** buttons to select desired value (**=OFF, =ON**), and press **ENTER** to confirm selection.
6. Press **MODE/ESC** to return to previous menu or display will automatically exit.

Persnal - Temp C/F

Display the temperature in Celsius or Fahren, default is **Fahren**.

1. Access the main menu by pressing **MODE/ESC**.
2. Press the **UP/DOWN** buttons until "**Persnal**" is displayed and press **ENTER**.
3. Press the **UP/DOWN** buttons until "**Temp C/F**" is displayed and press **ENTER**.
4. Press the **UP/DOWN** buttons to select desired value (**=Fahren, =Cels**), and press **ENTER** to confirm selection.
5. Press **MODE/ESC** to return to previous menu or display will automatically exit.

Persnal - Man Hold

Manual Hold.

1. Access the main menu by pressing **MODE/ESC**.
2. Press the **UP/DOWN** buttons until "**Persnal**" is displayed and press **ENTER**.
3. Press the **UP/DOWN** buttons until "**Man Hold**" is displayed and press **ENTER**.
4. Press the **UP/DOWN** buttons to select desired value (**=OFF, =ON**), and press **ENTER** to confirm selection.
5. Press **MODE/ESC** to return to previous menu or display will automatically exit.

Persnal - ResetDef

Restore factory settings function (**ON or OFF**), the default is **OFF**.

1. Access the main menu by pressing **MODE/ESC**.
2. Press the **UP/DOWN** buttons until “**Persnal**” is displayed and press **ENTER**.
3. Press the **UP/DOWN** buttons until “**ResetDef**” is displayed and press **ENTER**.
4. Press the **UP/DOWN** buttons to select desired value (**=OFF, =ON**), and press **ENTER** to confirm selection.
5. Press **MODE/ESC** to return to previous menu or display will automatically exit.

ManCntrl - ManCntrl

Fine adjustment of all LEDs. All effects will be canceled, and the shutter opens and the dimmer intensity will be set to 100 %. Focus the light on a flat surface or wall and perform the fine adjustments using individual the functions. (**Auto, Red, Gree, Blue, Whit, Stro, Dimm, Macr, Temp**).

1. Access the main menu by pressing **MODE/ESC**.
2. Press the **UP/DOWN** buttons until “**ManCntrl**” is displayed and press **ENTER**.
3. Press the **UP/DOWN** buttons to select desired value (**Auto, Red, Gree, Blue, Whit, Stro, Dimm, Macr, Temp**), and press **ENTER** to confirm selection.
4. Press **UP/DOWN** buttons to select desired value (**000-255**) and press **ENTER** to confirm selection.
5. Press **MODE/ESC** to return to previous menu or display will automatically exit.

Mode Set - UserMode

Select the DMX channel mode (**=4CH, =5CH, =7CH, =9CH**), default is **=4CH**.

1. Access the main menu by pressing **MODE/ESC**.
2. Press the **UP/DOWN** buttons until “**Mode Set**” is displayed and press **ENTER**, and press **ENTER** again and “**UserMode**” will display.
3. Press **UP/DOWN** buttons to select desired value (**=4CH, =5CH, =7CH, =9CH**), and press **ENTER** to confirm selection.
4. Press **MODE/ESC** to return to previous menu or display will automatically exit.

EditProg - Sel Prog

Select Auto Programs, defaults: ProPart1 = **Prog 1**, ProPart2 = **Prog 2**, ProPart3 = **Prog 3**.

1. Access the main menu by pressing **MODE/ESC**.
2. Press the **UP/DOWN** buttons until “**EditProg**” is displayed and press **ENTER**.
3. Press **UP/DOWN** buttons until “**Sel Prog**” is displayed and press **ENTER**.
4. Press **UP/DOWN** buttons to select desired Auto Program Part (**ProPart1, ProPart2, ProPart3**), and press **ENTER** to confirm selection.
5. Press **UP/DOWN** buttons to select desired Program number (**=Prog 1, =Prog 2, =Prog 3, =Prog 4, =Prog 5, =Prog 6, =Prog 7, =Prog 8, =Prog 9, =Prog 10**), and press **ENTER** to confirm selection.
6. Press **MODE/ESC** to return to previous menu or display will automatically exit.

EditProg - EditProg

Edit the internal programs.

1. Access the main menu by pressing **MODE/ESC**.
2. Press the **UP/DOWN** buttons until “**EditProg**” is displayed and press **ENTER**.
3. Press **UP/DOWN** buttons until “**EditProg**” is displayed and press **ENTER**.
4. Press **UP/DOWN** buttons to select desired Program number (**Prog 1, Prog 2, Prog 3, Prog 4, Prog 5, Prog 6, Prog 7, Prog 8, Prog 9, Prog 10**), and press **ENTER** to confirm selection.
5. Press **UP/DOWN** buttons to select desired Program number (**=Prog 1, =Prog 2, =Prog 3, =Prog 4, =Prog 5, =Prog 6, =Prog 7, =Prog 8, =Prog 9, =Prog 10**), and press **ENTER** to confirm selection.
6. Press **UP/DOWN** buttons to select internal program test or step to edit (**ProgTest, EdStep01-EdStep64**), and press **ENTER** to confirm selection.
7. Press **UP/DOWN** buttons to select desired scene (**SxxSC001-SxxSC250, =End**) [**xx=01-64**], and press **ENTER** to confirm selection.
8. Press **MODE/ESC** to return to previous menu or display will automatically exit.

EditProg - EditScen

Edit the scenes of the internal programs.

1. Access the main menu by pressing **MODE/ESC**.
2. Press the **UP/DOWN** buttons until “**EditProg**” is displayed and press **ENTER**.
3. Press **UP/DOWN** buttons until “**EditScen**” is displayed and press **ENTER**.
4. Press **UP/DOWN** buttons to select desired Scene number (**Scen001-Scen250**), and press **ENTER** to confirm selection.
5. Press **UP/DOWN** buttons to select desired function (**Auto, Red, Gree, Blue, Whit, Stro, Dimm, Macr, Temp, ScenTime, InByOut**), and press **ENTER** to confirm selection.
6. Press **UP/DOWN** buttons to select desired value (**001-250**) and press **ENTER** to confirm selection.
7. Press **MODE/ESC** to return to previous menu or display will automatically exit.

EditProg - RecCntrl

This fixture features an integrated DMX-recorder by which you can transmit the programmed scenes from your DMX-controller to the moving head. Adjust the desired scene numbers via the encoder (from – to). When you call up the scenes at your controller, they will automatically be transmitted to the moving head.

EditProg - RecCntrl - Execution

A Master unit can send up to 3 different data groups to the Slave units, i.e. a Master unit can start 3 different Slave units, which run 3 different programs. The Master unit sends the 3 program parts in a continuous loop.



The Slave unit receives data from the Master unit according to the group which the Slave unit was assigned to. If e.g. a Slave unit is set to “Slave 1” in the menu “Set to Slave”, the Master unit sends “Auto Program Part 1” to the Slave unit. If set to “Slave 2”, the Slave unit receives “Auto Program Part 2”.

EditProg - RecCntrl - Execution [continued]

To start a Auto Program please proceed as follows:

1. Slave-Setting

- Select “Function Mode” by turning the encoder.
- Press the Enter button to confirm.
- Select “Set to slave” by turning the encoder.
- Press the Enter button to confirm.
- Turn the encoder to select “Slave 1”, “Slave 2” or “Slave 3”.
- Press the Enter button to confirm.
- Press the MODE/ESC button in order to return to the main menu.

2. Automatic Program Run

- Select “Function Mode” by turning the encoder.
- Press the Enter button to confirm.
- Select “Auto Program” by turning the encoder.
- Press the Enter button to confirm.
- Turn the encoder to select “Master” or “Alone”. The selection "Alone" means Stand Alone-mode and "Master" that the device is defined as master.
- Press the Enter button to confirm.
- Press the MODE/ESC button in order to return to the main menu.

3. Program selection for Auto Pro Part

- Select “Edit program” by turning the encoder.
- Press the Enter button to confirm.
- Select “Select programs” by turning the encoder.
- Press the Enter button to confirm.
- Turn the encoder to select “Auto Pro Part 1”, “Auto Pro Part 2” or “Auto Pro Part 3”, and thus select which Slave program is to be sent. Selection “Part 1” means, that the Slave unit runs the same program as the master units.
- Press the Enter button to confirm.
- Press the MODE/ESC button in order to return to the main menu.

4. Program selection for Edit Program

- Select “Edit program” by turning the encoder.
- Press the Enter button to confirm.
- Select “Edit program” by turning the encoder.
- Press the Enter button to confirm.
- Turn the encoder to select the desired program. With this function you can edit specific scenes into a specific program.
- Press the Enter button to confirm.
- Press the MODE/ESC button in order to return to the main menu.

5. Automatic Scene Recording

- Select “Edit program” by turning the encoder.
- Press the Enter button to confirm.
- Select “Edit scenes” by turning the encoder.
- Turn the encoder to select the desired scene numbers, you can program a max number of 250
- Press the Enter button to confirm.
- Press the MODE/ESC button in order to return to the main menu.

EditProg - RecCntrl - Execution [continued]

Example:

Program 2 includes scenes: 10, 11, 12, 13

Program 4 includes scenes: 8, 9, 10

Program 6 includes scenes: 12, 13, 14, 15

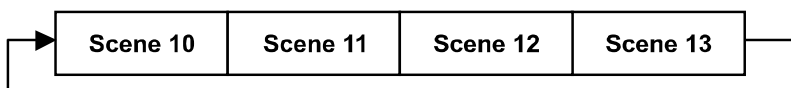
Auto Pro Part 1 is Program 2;

Auto Pro Part 2 is Program 3;

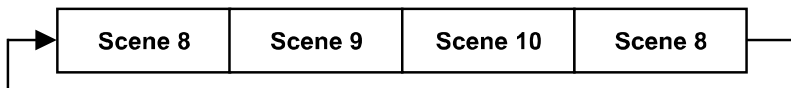
Auto Pro Part 3 is Program 6

The 3 Slave groups run the Auto Program in certain time segments, as shown in the following picture:

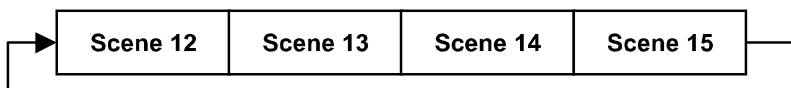
Part 1:



Part 2:



Part 3:



DMX CHANNEL FUNCTIONS AND VALUES

ELATION® LEVEL Q7 IP™					
DMX Channel Values / Functions - VERSION 1 (9 DMX Channels)					
Specifications are subject to change without any prior written notice.					
MODE / CHANNEL				VALUE	FUNCTION
4	5	7	9		
1	1	1	1		RED - All LEDs
				0-255	Red (0-Black , 255-100% Red)
2	2	2	2		GREEN - All LEDs
				0-255	Green (0-Black , 255-100% Green)
3	3	3	3		BLUE - All LEDs
				0-255	Blue (0-Black , 255-100% Blue)
4	4	4	4		WHITE - All LEDs
				0-255	White (0-Black , 255-100% White)
		5	5		COLOR CORRECTION
				0	NO Function
				1-255	1=2,700k ~ 255=7,200k
		6	6		COLOR MACROS
				0	NO Function
				1-7	Color Macro 1
				8-15	Color Macro 2
				16-23	Color Macro 3
				24-31	Color Macro 4
				32-39	Color Macro 5
				40-47	Color Macro 6
				48-55	Color Macro 7
				56-63	Color Macro 8
				64-71	Color Macro 9
				72-79	Color Macro 10
				80-87	Color Macro 11
				88-95	Color Macro 12
				96-103	Color Macro 13
				104-111	Color Macro 14
				112-119	Color Macro 15
				120-127	Color Macro 16
				128-135	Color Macro 17
				136-143	Color Macro 18
				144-151	Color Macro 19
				152-159	Color Macro 20
				160-167	Color Macro 21
				168-175	Color Macro 22
				176-183	Color Macro 23
				184-191	Color Macro 24
				192-199	Color Macro 25
				200-207	Color Macro 26
				208-215	Color Macro 27
				216-223	Color Macro 28
				224-231	Color Macro 29
				233-239	Color Macro 30
		240-247	Color Macro 31		
		248-255	Color Macro 32		

ELATION® LEVEL Q7 IP™					
DMX Channel Values / Functions - VERSION 1 (9 DMX Channels)					
DMX Channel Functions / Values					
Mode/Channel				Value	Function
4	5	7	9		
			7		CHASE MACROS
				0	NO Function
				1-30	Chase Macro 1
				31-60	Chase Macro 2
				61-90	Chase Macro 3
				91-120	Chase Macro 4
				121-150	Chase Macro 5
				151-180	Chase Macro 6
				181-210	Chase Macro 7
				211-255	Chase Macro 8
			8		SHUTTER, STROBE
				0-31	All LEDs OFF
				32-63	All LEDs ON
				64-95	Strobe Effect SLOW to FAST
				96-127	All LEDs ON
				128-159	Pulse Effect In Sequences SLOW to FAST
				160-191	All LEDs ON
				192-223	Random Strobe Effect SLOW to FAST
				224-255	All LEDs ON
	5	7	9		DIMMER INTENSITY
				0-255	Intensity 0 to 100%

CLEANING AND MAINTENANCE



CAUTION!

Disconnect from mains before starting maintenance operation.

CLEANING

Frequent cleaning is recommended to insure proper function and an extended life.

- Clean LED lens surface weekly to avoid dust accumulation.
- Never use alcohol or solvents.

MAINTENANCE

Regular inspections are recommended to insure proper function and an extended life.

There are no user serviceable parts inside this fixture, please refer all other service issues to an authorized Elation service technician. Should you need any spare parts, please order genuine parts from your local Elation dealer.

Please refer to the following points during routine inspections:

- A detailed electric check by an approved electrical engineer every three months, to make sure the circuit contacts are in good condition and prevent overheating.
- Be sure all screws and fasteners are securely tightened at all times. Loose screws may fall out during normal operation resulting in damage or injury as larger parts could fall.
- Check for any deformations on the housing, color lenses, rigging hardware and rigging points (ceiling, suspension, trussing). Deformations in the housing could allow for dust to enter into the fixture. Damaged rigging points or unsecured rigging could cause the fixture to fall and seriously injure a person(s).
- Electric power supply cables must not show any damage, material fatigue or sediments. Never remove the ground prong from the power cable.

TECHNICAL SPECIFICATIONS

FEATURES

IP65 Rated
7° Beam 13° Field Angles
2,700K - 7,200K Color Correction
Flicker Free Operation for TV and FILM
Rugged Die-Cast Aluminum Exterior
Rubber Padded Base with Dual Yoke / Floor Stand
Multiple Unit Power Linking

SOURCE

(7) 15W QUAD Color RGBW LEDs
100,000 Hour Average Life*
*May vary depending on several factors including but not limited to:
Environmental Conditions, Power/Voltage, Usage Patterns (On-Off Cycling), Control, and Dimming.

PHOTOMETRIC DATA

3636 LUX 388 FC @16.4' (5M)

EFFECTS

Electronic Strobe and Varying Settings
Color and Chase Macros
Electronic Dimming: 0% - 100%

CONTROL / CONNECTIONS

(4) DMX Channel Modes (4 / 5 / 7 / 9)
(4) Button Control Panel
LCD Menu Display
IP 3pin DMX In/Out
IP 3pin Power In/Out

SIZE / WEIGHT

Length: 11.0" (278.6mm)
Width: 5.5" (140.5mm)
Vertical Height: 10.2" (260mm)
Weight: 9.0 lbs. (4 kg)

ELECTRICAL / THERMAL

AC 100-240V - 50/60Hz
127W Max Power Consumption
Multiple Unit Power Linking
-13°F to 113°F (-25°C to 45°C)

APPROVALS / RATINGS

CE Approved
cETLus Approved
IP65 Rated

INSTALLATION

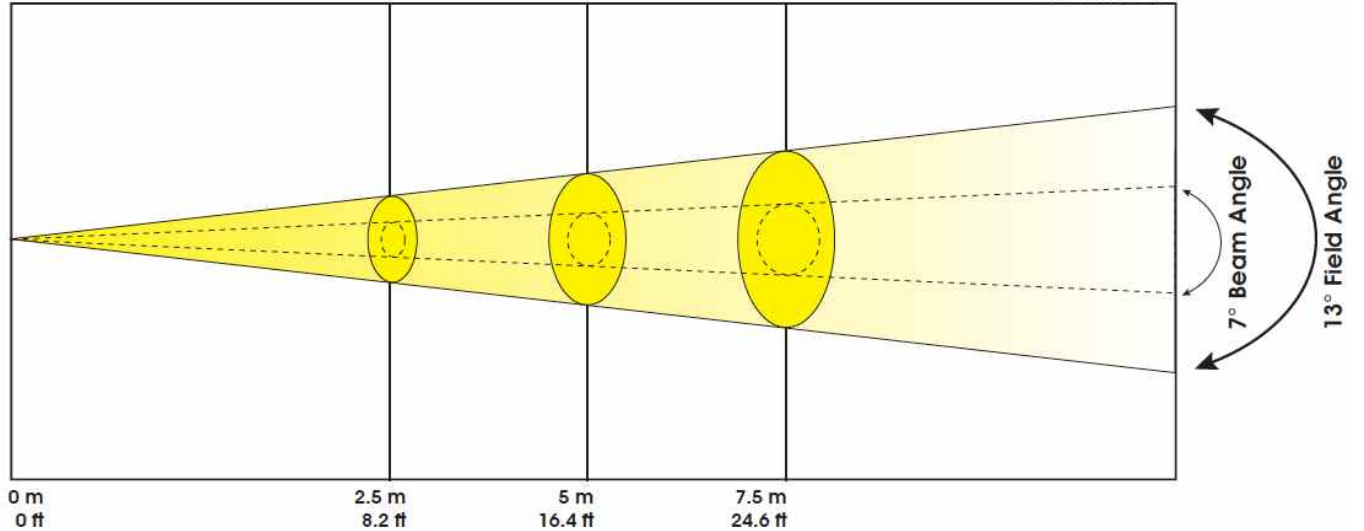
Rigging: Integrated Dual Yoke / Floor Stand
Working Position: Any (360°)

Please Note: Specifications and improvements in the design of this unit and this manual are subject to change without any prior written notice.

PHOTOMETRIC DATA

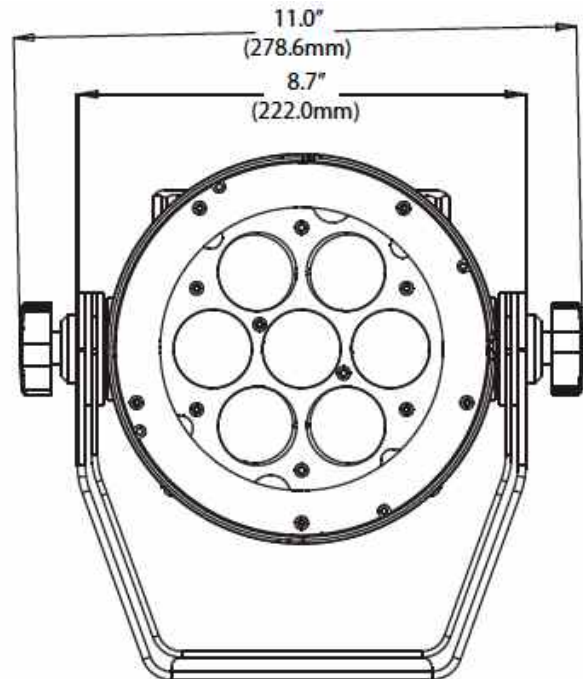
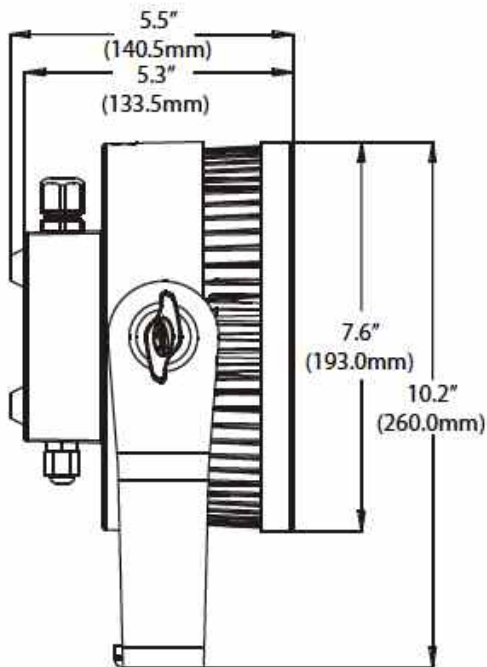
RED LEDs	190 FC / 2046 LUX	43 FC / 467 LUX	19 FC / 200 LUX
GREEN LEDs	596 FC / 6420 LUX	145 FC / 1565 LUX	64 FC / 693 LUX
BLUE LEDs	88 FC / 950 LUX	23 FC / 249 LUX	10 FC / 113 LUX
WHITE LEDs	695 FC / 7485 LUX	176 FC / 1890 LUX	79 FC / 850 LUX
FULL ON	1366 FC / 14,700 LUX	338 FC / 3636 LUX	149 FC / 1601 LUX

LUX x 0.0929 = FC



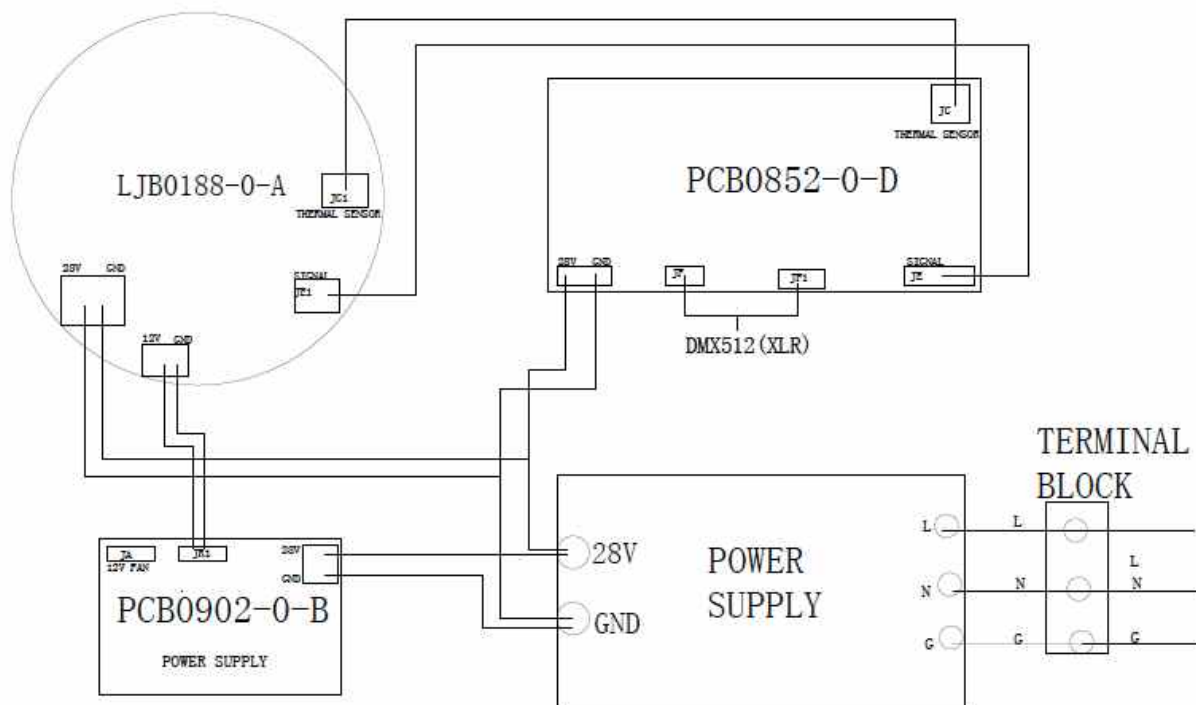
7° Beam Angle	∅ 0.32 m / ∅ 1.0 ft	∅ 0.62 m / ∅ 2.0 ft	∅ 0.92 m / ∅ 3.0 ft
13° Field Angle	∅ 0.57 m / ∅ 1.9 ft	∅ 1.12 m / ∅ 3.7 ft	∅ 1.66 m / ∅ 5.4 ft

DIMENSIONAL DRAWINGS



Please Note: Specifications and improvements in the design of this unit and this manual are subject to change without any prior written notice.

CIRCUIT SCHEMATIC



Please Note: Specifications and improvements in the design of this unit and this manual are subject to change without any prior written notice.

OPTIONAL ACCESSORIES

ORDER CODE	ITEM
NARROW CLAMP	2" Pro Wrap Around Clamp
804090301390	IP To Edison Power Cable
804090301470	3pin Female/XLR To Male IP DATA Cable
804090301480	3pin Male/XLR To Female IP DATA Cable
804090301370	9.8' (3m) Male To Female IP POWER Jumper Cable
804090301380	9.8' (3m) Male To Female IP DATA EXT Cable
804090301770	32.8' (10m) Male To Female POWER IP Jumper Cable
804090301780	32.8' (10m) Male To Female DATA IP Jumper Cable
LEV054-GFH	Gel Frame Holder Kit (7.88" Slot Holder, Gel Frame, and (4) Screws)
LEV054-GFH-S4	Source 4 Accessory Holder (7.50" Slot Holder and (4) Screws)

	<p>Model: LEVEL 7Q IP</p> <p>CONFORMS TO UL STD. 1598</p> <p>CERTIFIED TO CSA STD. C22.2 NO. 250.0</p> <p>100-240V~,50/60Hz; 120W MAX;</p> <p>MANUFACTURING DATE: _____</p>
	<p>WARNING</p> <ul style="list-style-type: none"> • Suitable For Wet Locations • Convient Aux Emplacements Mouilles
<p>Intertek 3104374</p>	

