



PLATINUM PROFILE LED™

SKU# EPP597

The new Platinum Profile LED™ is a profile / framing shutter LED spot illuminare featuring a 180W LED engine, 6,500K, >85CRI, 9,000 total lumens, 18° beam angle, 4 rotating framing shutter blades, 2 color wheels with 11 total dichroic colors including UV, CTO, and white, 2 gobo wheels with 7 rotating-interchangeable and 7 static-stamped gobos, 3-facet rotating prism, frost, iris, and motorized focus, Art-NET (DMX Over Ethernet) support 5pin DMX, RJ45 Ethernet and powerCON in/out connections, (6) button control full color 180° reversible menu display, a multi-voltage universal auto switching power supply (100-240v), and flicker free operation for broadcast TV and FILM.

FEATURES

Profile / Framing Shutter 18° Spot LED Illuminare

180W LED Engine with 20,000 Average LED Life

9,000 Lumens, 6,500K, >85CRI

(4) Rotating Framing Shutter Blades

(2) Color Wheels - 11 Total Dichroic Colors Including UV

(2) Gobo Wheels - 7 Rotating-Interchangeable 7 Static

3-Facet Rotating Prism, Frost, Iris, and Motorized Focus

Art-NET (DMX Over Ethernet) Support

Flicker Free Operation For Broadcast TV and FILM



ELATION | PLATINUM PROFILE LED™ | Product Specification Sheet

Specifications are subject to change without notice ©Elation Professional

Elation Professional USA | 6122 S. Eastern Ave. | Los Angeles, CA. 90040
323-582-3322 | 323-832-9142 fax | www.elationlighting.com | info@elationlighting.com

Elation Professional B.V. | Junostraat 2 | 6468 EW Kerkrade, Netherlands
+31 45 546 85 66 | +31 45 546 85 96 fax | www.elationlighting.eu | info@elationlighting.eu

PRODUCT SPECIFICATIONS

FEATURES

Profile / Framing Shutter 18° LED Spot Illuminare
 (4) Rotating Framing Shutter Blades
 (2) Color Wheels + (2) Gobo Wheels
 Art-NET (DMX Over Ethernet) Support
 Flicker Free Operation For Broadcast TV and FILM

SOURCE

180W LED Engine
 20,000 Hour Average LED Life

PHOTOMETRIC DATA

9,000 Total Lumens, 6,500K, >85CRI
 14,170 LUX 1,316 FC @8.2' (2.5m) (18° Full ON)
 4,561 LUX 424 FC @16.4' (5m) (18° Full ON)
 1,721 LUX 160 FC @24.6' (7.5m) (18° Full ON)

EFFECTS

(4) Rotating Framing Shutters and Macros
 3-Facet Rotating Prism and Macros
 Electronic Dimming & Strobe
 Motorized Focus
 Mechanical Iris
 Frost Filter

COLOR

(2) Colors Wheels
 #1 - 5 Dichroic Colors Including UV + White (Open)
 #2 - 6 Dichroic Colors Including CTO + White (Open)

GOBOS

(2) Gobo Wheels
 #1 - (7) Rotating / Interchangeable Indexing Gobos
 #2 - (7) Static-Stamped / Gobos

CONTROL / CONNECTIONS

(3) DMX Channel Modes (24 / 26 / 36)
 RDM (Remote Device Management)
 6 Button Touch Control Panel
 Full Color 180° Reversible LCD Menu Display
 8 / 16 Bit Resolution Adjustable Movement
 5pin DMX In/Out
 RJ45 Ethernet In/Out (Art-NET)
 powerCON Power In/Out

SIZE / WEIGHT

Length: 14.2" (360mm)
 Width: 16.0" (408mm)
 Vertical Height: 25.0" (493mm)
 Weight: 57.0 lbs. (26 kg)

ELECTRICAL / THERMAL

AC 100-240V - 50/60Hz
 Max Power Consumption: 250W
 -13°F to 113°F (-25°C to 45°C)

APPROVALS / RATINGS

IP20

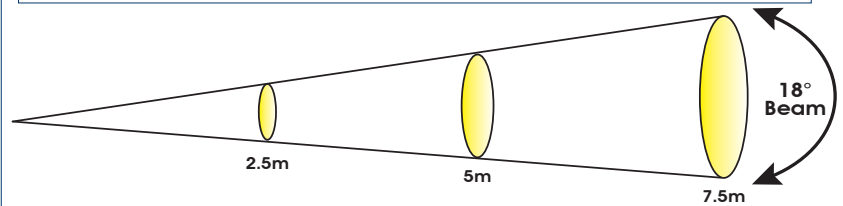
INSTALLATION

Rigging: Clamps (Not Included)
 Working Position: Flat Surface / Inverted (180°)

INCLUDED ITEMS

(2) Omega Brackets, (1) 5pin DMX Cable
 (1) powerCON Cable, (1) Safety Cable

PHOTOMETRIC DATA



	m	ft	m	ft	m	ft
Distance	2.5	8.2	5	16.4	7.5	24.6
Diameter	0.8	2.6	1.42	4.7	2.3	7.5
Photometrics	lux	fc	lux	fc	lux	fc
18° MAX FULL ON	14,170	1,316	4,561	424	1,721	160

COLORS AND GOBOS

COLOR WHEEL 1



COLOR WHEEL 2



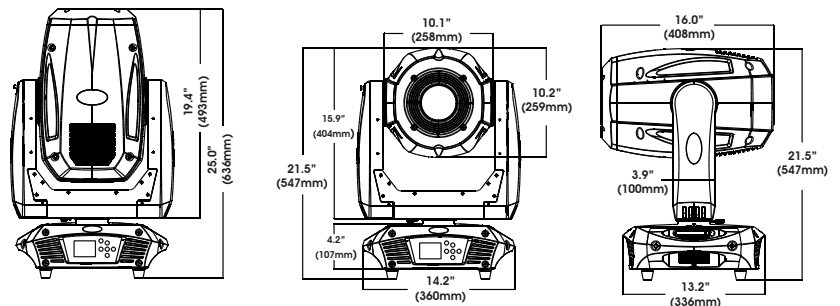
ROTATING / INTERCHANGEABLE GOBO WHEEL 1



STATIC-STAMPED GOBO WHEEL 2



DIMENSIONAL DIAGRAMS



OPTIONAL ACCESSORIES

ORDER CODE	ITEM
TRIGGER CLAMP	Heavy Duty Wrap Around Hook Style Clamp
** pending **	Road Case For Platinum Profile LED™
ELO211	Eloader II™ Software Updater Box
EWDMSYSTEM	Wireless DMX System (1 Transmitter, 1 Receiver)
AC5PDMX5PRO	5 ft. (1.5m) 5pin PRO DMX Cable
PLC3	3' (1m) PowerCON PRO Link Cable
CAT6PRO5	5' (1.5m) CAT6 EtherCON Cable
	Additional cable lengths available



Specifications are subject to change without notice ©Elation Professional

Elation Professional USA | 6122 S. Eastern Ave. | Los Angeles, CA 90040
 323-582-3322 | 323-832-9142 fax | www.elationlighting.com | info@elationlighting.com

Elation Professional B.V. | Junostraat 2 | 6468 EW Kerkrade, Netherlands
 +31 45 546 85 66 | +31 45 546 85 96 fax | www.elationlighting.eu | info@elationlighting.eu