



## PLATINUM SPOT III™

SKU# **EPS084**

The Platinum Spot LED III™ features a new 230W 8,500K >79CRI Cool White LED engine, delivering total 7,200 lumens, 16° to 32° zoom, 8 dichroic colors, 7 rotating-interchangeable glass and 7 static-stamped metal gobos, a bi-directional variable speed animation wheel, 3-facet rotating prism, frost filter, motorized iris and focus, variable dimming curves, high speed mechanical shutter and strobe, hibernation mode, 3 and 5pin DMX in/out connections, RDM (Remote Device Management), full color 180° reversible menu display with 6 button touch control panel, battery backup for display power, flicker free operation for TV and FILM, and a multi-voltage universal auto switching power supply (100-240v).

### FEATURES

#### Cool White LED Spot Luminaire

**230W, 8,500K, >79CRI, 7,200 Lumen, 60,000 Hours**

**16° to 32° Motorized Zoom, 8 Dichroic Colors**

**7 Rotating-Interchangeable and 7 Static-Stamped Gobos**

**Bi-Directional Variable Speed Animation Wheel**

**3-Facet Rotating Prism and Frost Filter**

**High Speed Mechanical Shutter and Strobe**

**Motorized Iris and Focus and Variable Dimming Curves**

**Low Heat, Quiet Operation, Hibernation Mode**

**Flicker Free Operation For Broadcast TV and FILM**



**PRODUCT SPECIFICATIONS**

**SOURCE**

230W Cool White LED Engine  
60,000 Hour Average LED Life

**PHOTOMETRIC DATA**

6,500K, >79CRI, 7,200 Lumens  
17,500 LUX 1,626 FC @8.2' (2.5m) (16° Full ON)  
5,373 LUX 499 FC @8.2' (2.5m) (32° Full ON)

**EFFECTS**

16° - 32° Motorized Zoom  
Bi-Directional Variable Speed Animation Wheel  
3-Facet Rotating Prism and Prism Macros  
Frost Filter Hybrid Wash Effect  
Motorized Zoom, Iris and Focus  
High Speed Mechanical Shutter and Strobe  
Variable Dimming Curves

**COLOR**

8 Dichroic Colors

**GOBOS**

7 Interchangeable-Rotating / Indexing Glass Gobos  
7 Static-Stamped Metal Gobos

**CONTROL / CONNECTIONS**

(3) DMX Channel Modes (18 / 20 / 27)  
RDM (Remote Device Management)  
6 Button Touch Control Panel  
Full Color 180° Reversible LCD Menu Display  
8 / 16 Bit Resolution Adjustable Movement  
3pin & 5pin DMX In/Out

**SIZE / WEIGHT**

Length: 14.8" (375mm)  
Width: 15.1" (384mm)  
Vertical Height: 23.7" (601mm)  
Weight: 46.0 lbs. (20.8 kg)

**ELECTRICAL / THERMAL**

AC 100-240V - 50/60Hz  
350W Max Power Consumption  
-13°F to 113°F (-25°C to 45°C)

**APPROVALS / RATINGS**



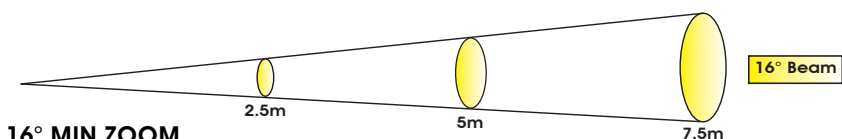
**INSTALLATION**

Rigging: Clamps (Not Included)  
Working Position: Flat Surface / Inverted (180°)

**OPTIONAL ACCESSORIES**

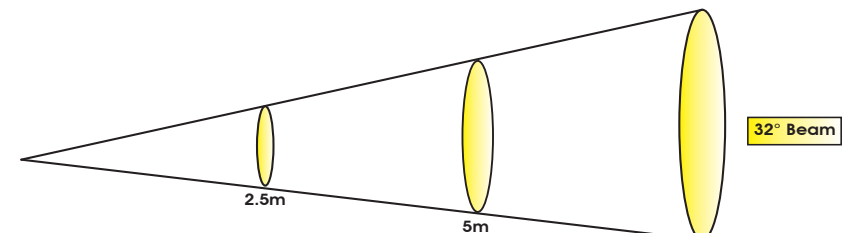
ORDER CODE	ITEM
TRIGGER CLAMP	Heavy Duty Wrap Around Hook Style Clamp
*** pending ***	Road Case For Platinum Spot LED III™
EWDMXSYSTEM	Wireless DMX System (1 Transmitter, 1 Receiver)
AC3PDMX5PRO	5 ft. (1.5m) 3pin PRO DMX Cable
AC5PDMX5PRO	5 ft. (1.5m) 5pin PRO DMX Cable
	Additional cable lengths available

**PHOTOMETRIC DATA**



**16° MIN ZOOM**

Distance	2.5m	8.2 ft	5m	16.4 ft	7.5m	24.6 ft
Diameter	0.7	2.3	1.4	4.6	2.1	6.9
Photometrics	lux	fc	lux	fc	lux	fc
FULL ON	17,500	1,626	4,450	413	2,178	202



**32° MAX ZOOM**

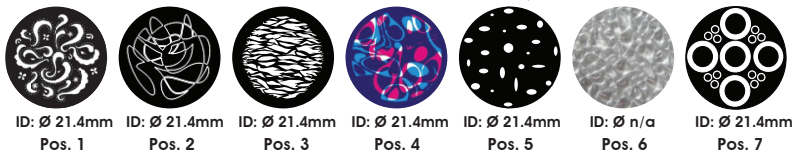
Distance	2.5m	8.2 ft	5m	16.4 ft	7.5m	24.6 ft
Diameter	1.43	4.7	2.86	9.4	4.29	14.1
Photometrics	lux	fc	lux	fc	lux	fc
FULL ON	5,373	499	1,438	134	700	65

**COLORS AND GOBOS**

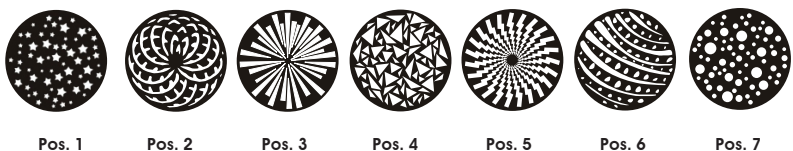
**COLOR WHEEL**



**INTERCHANGEABLE-ROTATING GOBO WHEEL 1 - OD: Ø26.8mm\*\***



**STATIC-STAMPED GOBO WHEEL 2**



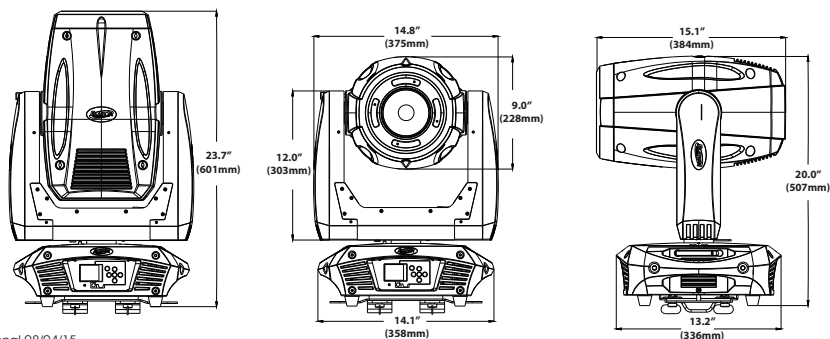
**BI-DIRECTIONAL ANIMATION WHEEL**



**\*\*IMPORTANT NOTICE REGARDING GOBO DIMENSIONS AND CUSTOM GOBOS**

OD = Outside Diameter | ID = Image Diameter  
Due to varying manufacturing processes, it is highly recommended to provide a gobo and holder sample from the fixture to 3rd party custom gobo vendors for accurate sizing.

**DIMENSIONAL DIAGRAMS**



Specifications are subject to change without notice ©Elation Professional 08/04/15

