

SATURA PROFILE™

user manual

©2016 ELATION PROFESSIONAL all rights reserved. Information, specifications, diagrams, images, and instructions herein are subject to change without notice. ELATION PROFESSIONAL logo and identifying product names and numbers herein are trademarks of ELATION PROFESSIONAL. Copyright protection claimed includes all forms and matters of copyrightable materials and information now allowed by statutory or judicial law or hereinafter granted. Product names used in this document may be trademarks or registered trademarks of their respective companies and are hereby acknowledged. All non-ELATION brands and product names are trademarks or registered trademarks of their respective companies.

ELATION PROFESSIONAL and all affiliated companies hereby disclaim any and all liabilities for property, equipment, building, and electrical damages, injuries to any persons, and direct or indirect economic loss associated with the use or reliance of any information contained within this document, and/or as a result of the improper, unsafe, insufficient and negligent assembly, installation, rigging, and operation of this product.

Elation Professional USA | 6122 S. Eastern Ave. | Los Angeles, CA. 90040

323-582-3322 | 323-832-9142 fax | www.elationlighting.com | info@elationlighting.com

Elation Professional B.V. | Junostraat 2 | 6468 EW Kerkrade, The Netherlands

+31 45 546 85 66 | +31 45 546 85 96 fax | www.elationlighting.eu | info@elationlighting.eu

DOCUMENT VERSION



Please check www.elationlighting.com for the latest revision/update of this manual.

Date	Document Version	Software Version	DMX Channel Modes	Notes
3/23/16	1	≥1.02	33 / 35 / 54	Initial release.
5/27/16	2	≥1.03	33 / 35 / 54	Added Fast Mode to System Menu.
7/26/16	3	≥1.04	33 / 35 / 54	Added Art-NET network switch note.
12/23/16	4	≥1.04	33 / 35 / 54	Added Gobo size details.

CONTENTS

General Information	4
Warranty	6
Safety Instructions	7
General Guidelines	8
Fixture Overview	9
Fixture Installation	10
Fixture Menu	14
DMX Channel Functions And Values	24
Error Codes	30
Cleaning and Maintenance	34
Technical Specifications	35
Optional Accessories	39

GENERAL INFORMATION

INTRODUCTION

Congratulations, you have just purchased one of the most innovative and reliable lighting fixtures on the market today! This fixture has been designed to perform reliably for years when the guidelines in this booklet are followed. Please read and understand the instructions in this manual carefully and thoroughly before attempting to operate this unit. These instructions contain important information regarding safety during use and maintenance.

UNPACKING

Every fixture has been thoroughly tested and has been shipped in perfect operating condition. Carefully check the shipping carton for damage that may have occurred during shipping. If the carton appears to be damaged, carefully inspect your unit for damage and be sure all accessories necessary to operate the unit have arrived intact. In the event damage has been found or parts are missing, please contact our customer support team for further instructions. Please do not return this unit to your dealer without first contacting customer support at the number listed below. Please do not discard the shipping carton in the trash. Please recycle whenever possible.

BOX CONTENTS

- (2) Omega Brackets
- (1) 3pin DMX Cable
- (1) powerCON Cable
- (1) Safety Cable

CUSTOMER SUPPORT

Elation Professional® provides a customer support line, to provide set up help and to answer any question should you encounter problems during your set up or initial operation. You may also visit us on the web at www.elationlighting.com for any comments or suggestions. For service related issue please contact Elation Professional®.

ELATION SERVICE USA - Monday - Friday 8:00am to 5:00pm PST

Voice: 323-582-3322

Fax: 323-832-9142

E-mail: support@elationlighting.com

ELATION SERVICE EUROPE - Monday - Friday 08:30 to 17:00 CET

Voice: +31 45 546 85 30

Fax: +31 45 546 85 96

E-mail: support@elationlighting.eu

WARRANTY REGISTRATION

Please complete and mail in the enclosed warranty card or register online: <http://www.elationlighting.com/Login.aspx> to validate your purchase. All returned service items whether under warranty or not, must be freight pre-paid and accompany a return authorization (R.A.) number. The R.A. number must be clearly written on the outside of the return package. A brief description of the problem as well as the R.A. number must also be written down on a piece of paper and included in the shipping container. If the unit is under warranty, you must provide a copy of your proof of purchase invoice. Items returned without a R.A. number clearly marked on the outside of the package will be refused and returned at customer's expense. You may obtain a R.A. number by contacting customer support.



IMPORTANT NOTICE!

There are no user serviceable parts inside this unit. Do not attempt any repairs yourself; doing so will void your manufactures warranty. Damages resulting from modifications to this fixture and/or the disregard of safety and general user instructions found in this user manual void the manufactures warranty and are not subject to any warranty claims and/or repairs.

LIMITED WARRANTY

A. Elation Professional® hereby warrants, to the original purchaser, Elation Professional® products to be free of manufacturing defects in material and workmanship for a period of two years (730 days), and Elation Professional® product rechargeable batteries to be free of manufacturing defects in material and workmanship for a period of six months (180 days), from the original date of purchase. This warranty excludes discharge lamps and all product accessories. This warranty shall be valid only if the product is purchased within the United States of America, including possessions and territories. It is the owner's responsibility to establish the date and place of purchase by acceptable evidence, at the time service is sought.

B. For warranty service, send the product only to the Elation Professional® factory. All shipping charges must be pre-paid. If the requested repairs or service (including parts replacement) are within the terms of this warranty, Elation Professional® will pay return shipping charges only to a designated point within the United States. If any product is sent, it must be shipped in its original package and packaging material. No accessories should be shipped with the product. If any accessories are shipped with the product, Elation Professional® shall have no liability what so ever for loss and/or or damage to any such accessories, nor for the safe return thereof.

C. This warranty is void if the product serial number and/or labels are altered or removed; if the product is modified in any manner which Elation Professional® concludes, after inspection, affects the reliability of the product; if the product has been repaired or serviced by anyone other than the Elation Professional® factory unless prior written authorization was issued to purchaser by Elation Professional®; if the product is damaged because not properly maintained as set forth in the product instructions, guidelines and/or user manual.

D. This is not a service contract, and this warranty does not include any maintenance, cleaning or periodic check-up. During the periods as specified above, Elation Professional® will replace defective parts at its expense, and will absorb all expenses for warranty service and repair labor by reason of defects in material or workmanship. The sole responsibility of Elation Professional® under this warranty shall be limited to the repair of the product, or replacement thereof, including parts, at the sole discretion of Elation Professional®. All products covered by this warranty were manufactured after January 1, 1990, and bare identifying marks to that effect.

E. Elation Professional® reserves the right to make changes in design and/or performance improvements upon its products without any obligation to include these changes in any products theretofore manufactured.

F. No warranty, whether expressed or implied, is given or made with respect to any accessory supplied with the products described above. Except to the extent prohibited by applicable law, all implied warranties made by Elation Professional® in connection with this product, including warranties of merchantability or fitness, are limited in duration to the warranty periods set forth above. And no warranties, whether expressed or implied, including warranties of merchantability or fitness, shall apply to this product after said periods have expired. The consumer's and/or dealer's sole remedy shall be such repair or replacement as is expressly provided above; and under no circumstances shall Elation Professional® be liable for any loss and/or damage, direct and/or consequential, arising out of the use of, and/or the inability to use, this product.

G. This warranty is the only written warranty applicable to Elation Professional® products and supersedes all prior warranties and written descriptions of warranty terms and conditions heretofore published.

SAFETY INSTRUCTIONS



This fixture is an extremely sophisticated piece of electronic equipment. To guarantee a smooth operation, it is important to follow the guidelines in this manual. The manufacturer of this device will not accept responsibility for damages resulting from the misuse of this fixture due to the disregard of the information printed in this manual.



This device falls under **PROTECTION CLASS 1**. It's essential this device be grounded properly. Only qualified personnel should perform all electrical connections.



I N D O O R S U S E O N L Y !
DO NOT EXPOSE FIXTURE RAIN AND MOISTURE!



UNPLUG POWER BEFORE SERVICING FIXTURE!
DO NOT PLUG FIXTURE INTO A DIMMER PACK!
NEVER TOUCH FIXTURE DURING OPERATION, AS IT MAY BE HOT!
MAXIMUM TEMPERATURE OF EXTERNAL SURFACE 185° F (85°C)



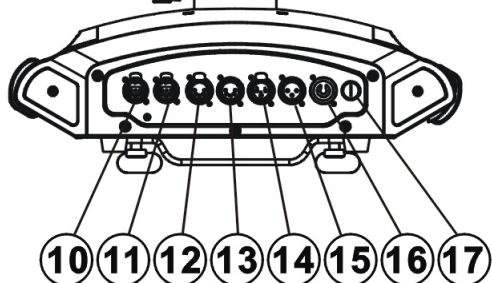
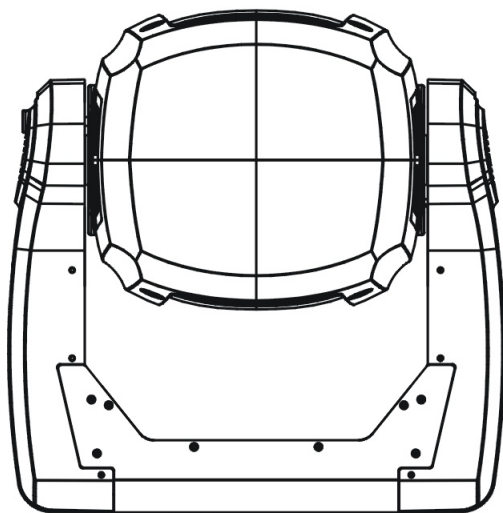
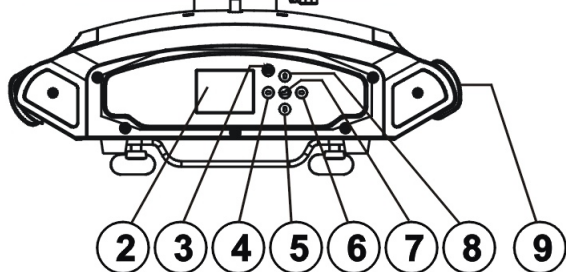
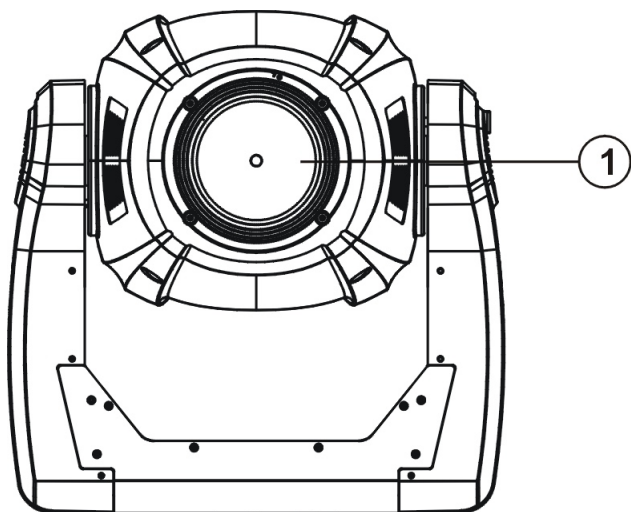
NEVER LOOK DIRECTLY INTO THE LIGHT SOURCE!
SENSITIVE PERSONS MAY SUFFER AN EPILEPTIC SHOCK!

- For proper operation, follow the **Installation** guidelines described in this manual. Only qualified and certified personnel should perform installation of this fixture and only the original rigging parts (brackets) included with this fixture should be used for installation. Any modifications will void the original manufacturer's warranty and increase the risk of damage and/or personal injury.
- Never look directly into the light source of this fixture to prevent risk of injury to your retina, which may induce blindness. Those suffering from **EPILEPSY** should avoid looking directly into the light source of this unit at all times.
- The fan and air inlets must remain clean and never blocked. Allow approx. 6" (15cm) between this fixture and other devices or a wall for proper cooling.
- Always disconnect from main power source before performing any type of service and/or cleaning procedure. Only handle the power cord by the plug end, never pull out the plug by tugging the wire portion of the cord.
- Do not operate this fixture if the power cord has become frayed, crimped and/or damaged. If the power cord is damaged, replace it immediately with a new one of similar power rating.

GENERAL GUIDELINES

- **NEVER OPEN THIS FIXTURE WHILE IN USE!**
- During the initial operation of this fixture, a light smoke or smell may emit from the interior of the fixture. This is a normal process and is caused by excess paint in the interior of the casing burning off from the heat associated with the lamp and will decrease gradually over time.
- This is a professional lighting fixture designed for **INDOOR / DRY LOCATIONS ONLY** on stage, in nightclubs, theatres, etc.
- Please make sure there are **NO FLAMMABLE MATERIALS** close to the fixture while operating, to prevent any fire hazard.
- The fixture must be installed in a location with adequate ventilation. Be sure no air ventilation slots are blocked.
- **DO NOT** attempt installation and/or operation without knowledge how to do so.
- **DO NOT** permit operation by persons who are not qualified to operate this type of fixture. Most damages are the result of operations by nonprofessionals.
- Consistent operational breaks may ensure the fixture will function properly for many years to come.
- **DO NOT** shake fixture, avoid brute force when installing and/or operating fixture.
- Always install the fixture with an appropriate safety cable. When installing the fixture in a suspended environment, always use mounting hardware that is no less than M10 x 25 mm, also be sure the hardware is insert in the pre-arranged screw holes in the bracket of the fixture.
- Use the original packaging and materials to transport the fixture in for service.
- **DO NOT TOUCH** the housing bare-hand during its operation. Turn OFF the power and allow approximately 15 minutes for the fixture to cool down before replacing or serving.

FIXTURE OVERVIEW



1. Lens
2. LCD Menu Function Display
3. MODE/ESC Button
4. LEFT Button
5. DOWN Button
6. RIGHT Button
7. ENTER Button
8. UP Button
9. Carrying Handle(s)
10. RJ45 Input
11. RJ45 Output
12. 3pin DMX Output
13. 3pin DMX Input
14. 5pin DMX Output
15. 5pin DMX Input
16. powerCON Input
17. Fuse

FIXTURE INSTALLATION



FLAMMABLE MATERIAL WARNING

Keep fixture at least 1.6 feet (.5m) away from any flammable materials, decorations, pyrotechnics, etc.



ELECTRICAL CONNECTIONS

A qualified electrician should be used for all electrical connections and/or installations.



**MINIMUM DISTANCE TO OBJECTS/SURFACES
MUST BE 1.6 FEET (.5 METERS)**



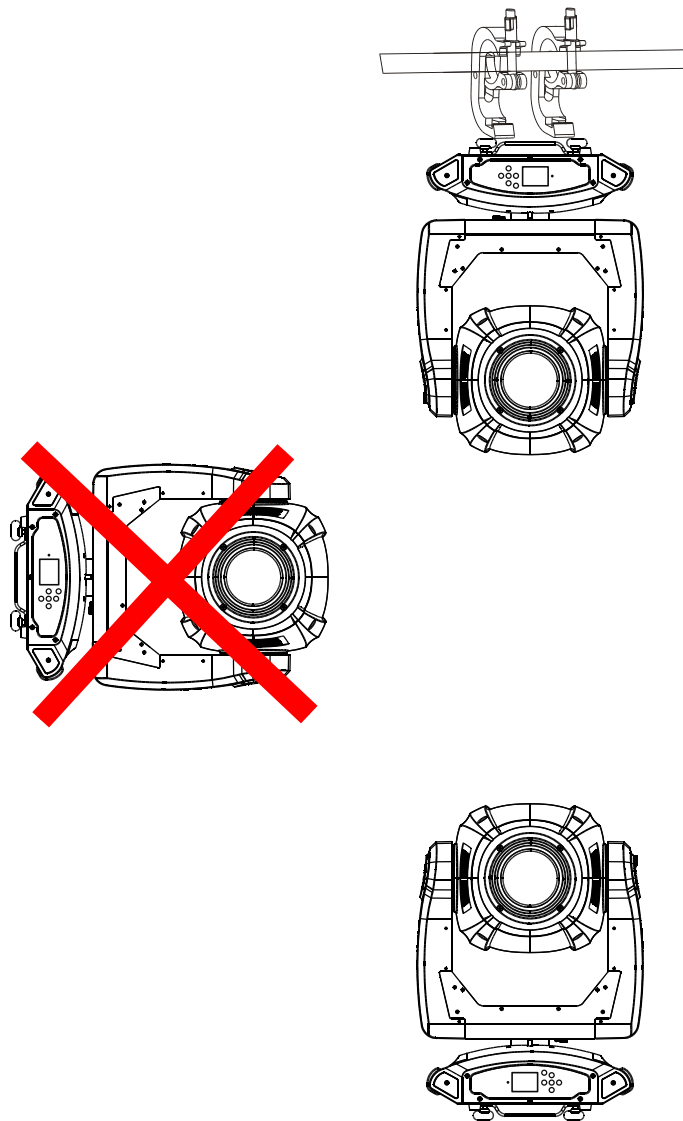
**MAXIMUM TEMPERATURE OF EXTERNAL SURFACE
185° F (85° C)**

CAUTIONS

- For added protection, mount the fixture in areas outside walking paths, seating areas, or in areas where unauthorized personnel might reach the fixture.
- Ambient operating temperature range for this fixture is **14° to 113°F. (-10° to 45°C)**
Do not use the fixture under or above this temperature.
- Before mounting the fixture to any surface, make sure the installation area can hold a minimum point load of 10 times the weight of the fixture.
- Fixture installation must always be secured with a secondary safety attachment, such as an appropriate safety cable.
- Never stand directly below the device when mounting, removing or servicing.

MOUNTING POINTS

Fixture is fully operational in the specific mounting positions as illustrated below. Overhead mounting requires extensive experience, including amongst others calculating working load limits, installation material being used, and periodic safety inspection of all installation material and the device. If you lack these qualifications, do not attempt the installation yourself. Improper installation can result in bodily injury.



SIDE MOUNTING IS NOT PERMITTED.

SAFETY CABLES

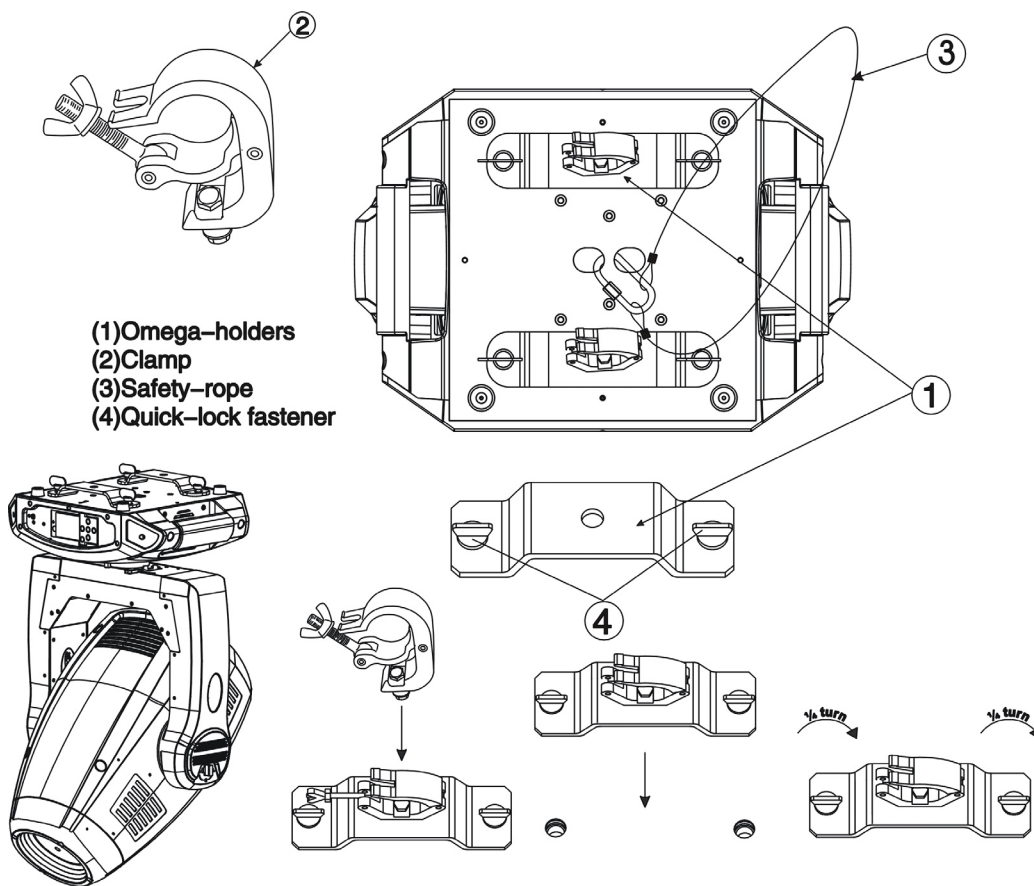
ALWAYS USE A SAFETY CABLE WHENEVER INSTALLING THIS FIXTURE IN A SUSPENDED ENVIRONMENT TO ENSURE THE FIXTURE WILL NOT DROP IF THE CLAMP FAILS.

CLAMP MOUNTING

The fixture provides a unique mounting bracket assembly that integrates the bottom of the base, the included **Omega Brackets (x2)** and safety cable rigging point in one unit (see the illustration below). When mounting this fixture to truss be sure to secure an appropriately rated clamps to the included omega brackets using a M10 screw fitted through the center hole of the **Omega Bracket**. Be sure to attach an appropriate **Safety Cable** to the fixture using the safety cable rigging point integrated in the base assembly.

SECURING

Regardless of the rigging option you choose for your fixture always be sure to secure your fixture with a safety cable. The fixture provides a built-in rigging point for a safety cable on the hanging bracket as illustrated above. Be sure to only use the designated rigging point for the safety cable and never secure a safety cable to a carrying handle.



ART-NET CONNECTION

When connecting fixture to a network switch to control multiple devices, a **Gigabit Ethernet Switch** that supports **IGMP (Internet Group Management Protocol)** is required. Using a **Gigabit Ethernet Switch** that does not support **IGMP** can cause erratic behavior of all connected devices to the switch.

Click link below for more information about IGMP.

https://en.wikipedia.org/wiki/Internet_Group_Management_Protocol


FIXTURE MENU

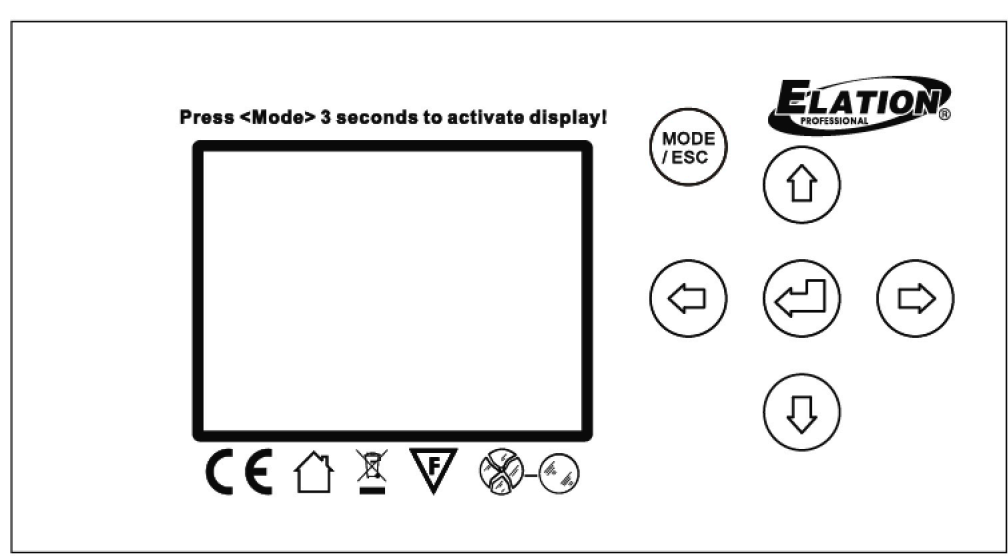
ON-BOARD SYSTEM MENU

The fixture comes with an easy to navigate system menu. The next section will detail the functions of each command in the system menu.

LCD MENU CONTROL PANEL

The control panel (see image below) located on back of the fixture allows you to access the main menu and make all necessary adjustments to the fixture. During normal operation, pressing **MODE/ESC** button once will access the fixture's main menu. Once in the main menu you can navigate through the different functions and access the sub-menus with the **UP**, **DOWN**, **RIGHT**, and **LEFT** buttons. Once you reach a field that requires adjusting, press the **ENTER** button to activate that field and use the **UP** and **DOWN** buttons to adjust the field. Pressing the **ENTER** button once more will confirm your setting. You may exit the main menu at any time without making any adjustments by pressing the **MODE/ESC** button.

 **NOTE:** To access the LCD Menu Control Display via the internal battery, press and hold the **MODE/ESC** button for 3 seconds. The LCD Menu Control Display will shut **OFF** automatically about 1 minute from the last button press.



**ELATION© SATURA PROFILE™
SYSTEM MENU**

Supports Software Versions: ≥ 1.0.2

Features are subject to change without any prior written notice.

**Rotation direction (Clockwise or Counterclockwise) of effects depends on orientation of the fixture head and Pan/Tilt settings.*

MAIN MENU	SUB MENU	OPTIONS / VALUES (Default Settings in BOLD)		DESCRIPTION
FUNCTION	Set Dmx Address	A001 ~ AXXX		DMX Address Setting
	Dmx Value	ALL.....		DMX Value Display
	Slave Mode	Slave1, Slave2, Slave3		Slave Setting
	Auto Program	Master / Alone		Auto Program
INFORMATION	Time Information	Current Time	XXXX (Hours)	Fixture Run Time From Power ON
		Total Run Time	XXXX (Hours)	Fixture Total Run Time
		Last Run Time	XXXX (Hours)	Clear Fixture Last Run Time
		LastRun Password	Password=XXX	Password 038
		Clear Last Run	ON / OFF	Clear Fixture Last Run Time
	Temperature Info	Head Temperature	XXX C° / F °	Temperature in Fixture Head
	Ethernet IP	XXX.XXX.XXX.XXX		Fixture IP Address
		XXX.XXX.XXX.XXX		
	Fan Speed	1U_Fan1: ~ 5U_Fan2:	XXX RPM	Fan Speeds
Software Version	1U01: - 7U01:	≥V1.0.2	Software Version	
Error Info	Error Record 1 ~ Error Record 10		Pan....	
PERSONALITY	Status Settings	Address via DMX	ON/OFF	Address Via DMX
		No DMX Status	Close Shutter / Hold / Auto Program	Auto Run If No DMX
		Pan Reverse	ON/ OFF	Pan Reverse Movement
		Tilt Reverse	ON/ OFF	Tilt Reverse Movement
		Pan Degree	630/ 540	Pan Degree Select
		Feedback	ON/OFF	Movement Feedback
		Movement Speed	Speed 1 ~ 4	Movement Mode Select
		Hibernation	OFF, 01M~99M, 15M	Stand By Mode
	Service Setting	Password	Password= 050	Service Password
		RDM PID	XXXXX	RDM PID Code (PSWD Required)
		Ethernet IP	XXX . XXX . XXX . XXX	Ethernet IP (PSWD Required)
		Ethernet Mask IP	XXX . XXX . XXX . XXX	Ethernet Mask IP (PSWD Required)
		Clear Err. Info	ON/ OFF	Clear Error Info (PSWD Required)
	Fans Control	Auto , Silent		Select Fans Mode
	Display Setting	Shutoff Time	02~60m 05m	Display Shut Off Time
		Display Reverse	ON/ OFF	Display Reverse 180°
		Key Lock	ON/ OFF	Key Lock
	Temperature C/F	Celsius/Fahrenheit		Temperature Switch Between C° / F°
	Initial Status	PAN =XXX		Initial Effect Position
	Select Signal	DMX Only		DMX Only
		Art-Net on IP2		Select Art-Net IP02
		Art-Net on IP10		Select Art-Net IP010
	Set Universe	000 - 255		Set ArtNet Universe
	Reset Default	ON/ OFF	Password = 011	Restore Factory Settings (PSWD Required)

ELATION© SATURA PROFILE™ SYSTEM MENU				
Supports Software Versions: ≥ 1.0.2				
Features are subject to change without any prior written notice. <i>*Rotation direction (Clockwise or Counterclockwise) of effects depends on orientation of the fixture head and Pan/Tilt settings.</i>				
MAIN MENU	SUB MENU	OPTIONS / VALUES (Default Settings in BOLD)		DESCRIPTION
Reset Function	Reset All			Reset All Motors
	Reset Pan&Tilt			Reset Pan/Tilt
	Reset Colors			Reset Color Wheel
	Reset Gobos			Reset Gobos
	Reset Others			Reset Other Motors
Effect Adjust	Test Channel	PAN		Test function
	Manual Control	PAN =XXX,		Fine Adjustments
	Calibration	Calibration Password		Password 050 (PSWD Required)
User Mode Set	User Mode	Standard Mode		DMX Channel Modes
		Basic Mode		
		Extended Mode		
		User Mode A		User Defined Channel Assignment
		User Mode B		
	User Mode C			
	Edit User Mode	Edit User Mode A	Max Channel = XX PAN = CH01	
Edit User Mode B				
Edit User Mode C				
Edit Program	Select Program	Auto Pro Part1 = Program 1~10 (Program 1)		Select Programs To Be Run
		Auto Pro Part2 = Program 1~10 (Program 2)		
		Auto Pro Part3 = Program 1~10 (Program 3)		
	Edit Program	Program 1	Program Test	Testing Program
		:	Step 01 =SCxxx	Program In Loop
		Program 10	Step 64 =SCxxx	Save and Exit
	Edit Scenes	Scene 001 ~ Scene 250	Pan,Tilt,.....	Save and Automatically Return
			--Fade Time-- --Scene Time--	Manual Scenes Edit
			Input By Outside	Stores Scenes via Ext DMX Console
Rec. Controller	XX~XX	Automatic Scenes Recorder		

**ELATION© SATURA PROFILE™
SYSTEM MENU**

Supports Software Versions: ≥ 1.0.3

Features are subject to change without any prior written notice.

*Rotation direction (Clockwise or Counterclockwise) of effects depends on orientation of the fixture head and Pan/Tilt settings.

MAIN MENU	SUB MENU	OPTIONS / VALUES (Default Settings in BOLD)		DESCRIPTION	
FUNCTION	Set Dmx Address	A001 ~ AXXX		DMX Address Setting	
	Dmx Value	ALL.....		DMX Value Display	
	Slave Mode	Slave1, Slave2, Slave3		Slave Setting	
	Auto Program	Master / Alone		Auto Program	
INFORMATION	Time Information	Current Time	XXXX (Hours)	Fixture Run Time From Power ON	
		Total Run Time	XXXX (Hours)	Fixture Total Run Time	
		Last Run Time	XXXX (Hours)	Clear Fixture Last Run Time	
		LastRun Password	Password=XXX	Password 038	
		Clear Last Run	ON / OFF	Clear Fixture Last Run Time	
	Temperature Info	Head Temperature	XXX C° / F °	Temperature in Fixture Head	
	Ethernet IP	XXX.XXX.XXX.XXX		Fixture IP Address	
		XXX.XXX.XXX.XXX			
Fan Speed	1U_Fan1: ~ 5U_Fan2:	XXX RPM	Fan Speeds		
Software Version	1U01: - 7U01:	≥V1.0.3	Software Version		
Error Info	Error Record 1 ~ Error Record 10		Pan....		
PERSONALITY	Status Settings	Address via DMX	ON/OFF	Address Via DMX	
		No DMX Status	Close Shutter / Hold / Auto Program	Auto Run If No DMX	
		Pan Reverse	ON/ OFF	Pan Reverse Movement	
		Tilt Reverse	ON/ OFF	Tilt Reverse Movement	
		Pan Degree	630/ 540	Pan Degree Select	
		Feedback	ON/OFF	Movement Feedback	
		Movement Speed	Speed 1 ~ 4	Movement Mode Select	
		Fast Mode	ON/OFF	Fast Mode Select	
		Hibernation	OFF, 01M~99M, 15M	Stand By Mode	
		Dimmer Mode	Standard , Stage, TV, Architectural, Theatre	Set Dimmer Curve Mode	
	Service Setting	Password	Password= 050		Service Password
		RDM PID	XXXXX		RDM PID Code (PSWD Required)
		Ethernet IP	XXX . XXX . XXX . XXX		Ethernet IP (PSWD Required)
		Ethernet Mask IP	XXX . XXX . XXX . XXX		Ethernet Mask IP (PSWD Required)
		Clear Err. Info	ON/ OFF		Clear Error Info (PSWD Required)
	Fans Control	Auto , Silent		Select Fans Mode	
	Display Setting	Shutoff Time	02~60m 05m	Display Shut Off Time	
		Display Reverse	ON/ OFF	Display Reverse 180°	
		Key Lock	ON/ OFF	Key Lock	
	Temperature C/F	Celsius/Fahrenheit		Temperature Switch Between C° / F°	
	Initial Status	PAN =XXX		Initial Effect Position	
	Select Signal	DMX Only		DMX Only	
		Art-Net on IP2		Select Art-Net IP02	
		Art-Net on IP10		Select Art-Net IP010	
	Set Universe	000 - 255		Set ArtNet Universe	
	Reset Default	ON/ OFF	Password= 011	Restore Factory Settings (PSWD Required)	

ELATION© SATURA PROFILE™ SYSTEM MENU				
Supports Software Versions: ≥ 1.0.3				
Features are subject to change without any prior written notice. <i>*Rotation direction (Clockwise or Counterclockwise) of effects depends on orientation of the fixture head and Pan/Tilt settings.</i>				
MAIN MENU	SUB MENU	OPTIONS / VALUES (Default Settings in BOLD)		DESCRIPTION
Reset Function	Reset All			Reset All Motors
	Reset Pan&Tilt			Reset Pan/Tilt
	Reset Colors			Reset Color Wheel
	Reset Gobos			Reset Gobos
	Reset Others			Reset Other Motors
Effect Adjust	Test Channel	PAN		Test function
	Manual Control	PAN =XXX,		Fine Adjustments
	Calibration	Calibration Password		Password 050 (PSWD Required)
User Mode Set	User Mode	Standard Mode		DMX Channel Modes
		Basic Mode		
		Extended Mode		
		User Mode A		User Defined Channel Assignment
		User Mode B		
	User Mode C			
	Edit User Mode	Edit User Mode A	Max Channel = XX PAN = CH01	
Edit User Mode B				
Edit User Mode C				
Edit Program	Select Program	Auto Pro Part1 = Program 1~10 (Program 1)		Select Programs To Be Run
		Auto Pro Part2 = Program 1~10 (Program 2)		
		Auto Pro Part3 = Program 1~10 (Program 3)		
	Edit Program	Program 1	Program Test	Testing Program
		:	Step 01 = SCxxx	Program In Loop
		Program 10	Step 64 = SCxxx	Save and Exit
	Edit Scenes	Scene 001 ~ Scene 250	Pan,Tilt,.....	Save and Automatically Return
			--Fade Time-- --Scene Time--	Manual Scenes Edit
			Input By Outside	Stores Scenes via Ext DMX Console
	Rec. Controller	XX~XX	Automatic Scenes Recorder	

FUNCTION - Auto Program

Define fixture mode (**Master or Alone**) for running Auto Programs. Select desired internal programs under “**Select Program**”, set the number of steps under “**Edit Program**”, and edit individual scenes under “**Edit Scenes**”.

PERSONALITY - Status Settings - Address Via DMX

When ON, define the desired DMX address via an external controller.

1. Connect the fixture to the external controller and power ON.
2. Set the DMX value of **Channel 1** on the controller to **(7)**.
3. Set the DMX value of **Channel 2** on the controller to **(7)** or **(8)**.
 When set to **(7)**, the DMX address can be set between **(1)** and **(255)**.
 When set to **(8)**, the DMX address can be set between **(256)** and **(511)**.
4. Using **Channel 3** on the controller set the desired DMX address of the fixture.

Example 1:

If the desired DMX address is **57**, set **Channel 1** to a value of **(7)**, set **Channel 2** to a value of **(7)**, and then set **Channel 3** to a value of **(57)**.


Example 2:

If the desired DMX address is **420**, set **Channel 1** to a value of **(7)**, set **Channel 2** to a value of **(8)**, and then set **Channel 3** to a value of **(164)**. (256+164=420)

5. After setting **Channel 3** to the desired DMX address value, wait for approximately 20 seconds for the fixture to complete the address reset function.

PERSONALITY – Service Setting - Password

Service Password - **(050)**

 **NOTE:** The Service Password MUST be entered in order to access the following menus: **RDM PID, Ethernet IP, Ethernet IP Mask, and Clear Err. Info.**

PERSONALITY – Service Setting - RDM PID

Select various submenus via RDM.

RDM stands for "Remote Device Management", which provides the ability to control the device remotely while connected to a DMX-bus. ANSI E1.20-2006 by ESTA specifies the RDM standard as an extension of the DMX512 protocol. Manual settings like adjusting the DMX starting address are no longer needed. This is especially useful when the device is installed in a remote area.

RDM ready and conventional DMX devices can be operated in one DMX line. The RDM protocol sends its own packages in the DMX512 data feed and does not influence conventional devices. If DMX splitters are used and RDM control is to be used, these splitters must support RDM. The number and type of RDM parameters depend on the RDM controller being used.

PERSONALITY - Display Setting – Key Lock

When ON, Control Panel buttons lock automatically after exiting main menu for 15 seconds. To unlock, keep **MODE/ESC** button pressed for 3 seconds.

EFFECT ADJUST – Test Channel

Select and auto test each individual channel function independently from the DMX control board.

EFFECT ADJUST – Manual Control

Select and manually test and fine adjust each individual channel function independently from DMX control board. This function will center PAN and TILT motors and set dimmer to 100%. PAN and TILT functions will still operate if the fixture needs to be positioned to a flat clear surface. With the individual functions, you can focus the light on a flat surface (wall) and perform fine adjustments.

EFFECT ADJUST – Calibration



ONLY QUALIFIED TECHNICIANS SHOULD PERFORM THIS FUNCTION.

This function allows small adjustments to be made to the effect wheels (Color, Gobo, Shutter, etc.) to compensate for wear or in the event a sensor has been knocked slightly out of place. Because improper use of this function can result in undesired operation this function has been password protected. The password is **050** and must be entered each time the calibration menu function is entered. Because calibration is an extremely delicate procedure, instructions on performing this action are left out of this manual. For a first time calibrator, please contact our customer support team for step-by-step instructions.

USER MODE SET – Edit User Mode

Create user defined channel orders allowing the fixture to match the channel order of other fixtures on the market for easier operation. A total of three user modes may be configured: User Mode A, User Mode B, and User Mode C.

EDIT PROGRAM – Rec. Controller

The fixture features an integrated DMX-recorder by which you can transmit the programmed scenes from your DMX-controller to the moving head. Adjust the desired scene numbers via the encoder (from – to). When you call up the scenes at your controller, they will automatically be transmitted to the moving head.

EDIT PROGRAM – Record Controller – Working With Built In Programs

A Master unit can send up to 3 different data groups to the Slave units, i.e. a Master unit can start 3 different Slave units, which run 3 different programs. The Master unit sends the 3 program parts in a continuous loop.



The Slave unit receives data from the Master unit according to the group which the Slave unit was assigned to. If e.g. a Slave unit is set to “**Slave 1**” in the menu “**Set to Slave**”, the Master unit sends “**Auto Program Part 1**” to the Slave unit.

If set to “**Slave 2**”, the Slave unit receives “**Auto Program Part 2**”.

To start an Auto Program proceed as follows:

1. Slave Setting

- Select “**Function Mode**”.
- Press **ENTER** to confirm.
- Select “**Set to Slave**”.
- Press **ENTER** to confirm.
- Select “**Slave 1**”, “**Slave 2**” or “**Slave 3**”.
- Press **ENTER** to confirm.
- Press **MODE/ESC** in order to return to the main menu.

2. Automatic Program Run

- Select “**Function Mode**”.
- Press **ENTER** to confirm.
- Select “**Auto Program**”.
- Press **ENTER** to confirm.
- Select “**Master**” or “**Alone**”.
- Press **ENTER** to confirm.
- Press **MODE/ESC** in order to return to the main menu.

EDIT PROGRAM – Record Controller – Working With Built-In Program [continued]

3. Program Selection for Auto Pro Part

- Select “**Edit Program**”.
- Press **ENTER** to confirm.
- Select “**Select Programs**”.
- Press **ENTER** to confirm.
- Select “**Auto Pro Part 1**”, “**Auto Pro Part 2**” or “**Auto Pro Part 3**”, and select which Slave program is to be sent. Selection “**Part 1**” means, that the Slave unit runs the same program as the master units.
- Press **ENTER** to confirm.
- Press **MODE/ESC** in order to return to the main menu.

4. Program Selection for Edit Program

- Select “**Edit Program**”.
- Press **ENTER** to confirm.
- Select “**Edit Program**”.
- Press **ENTER** to confirm.
- Select the desired program. With this function you can edit specific scenes into a specific program.
- Press **ENTER** to confirm.
- Press **MODE/ESC** in order to return to the main menu.

EDIT PROGRAM – Record Controller – Working With Built-In Program [continued]

5. Automatic Scene Recording

- Select **“Edit Program”**.
- Press **ENTER** to confirm.
- Select **“Edit Scenes”**.
- Select desired scene numbers. A maximum of 250 scenes can be programmed.
- Press **ENTER** to confirm.
- Press **MODE/ESC** in order to return to the main menu.

Example:

Program 2 includes scenes: 10, 11, 12, & 13

Program 4 includes scenes: 8, 9, & 10

Program 6 includes scenes: 12, 13, 14, & 15

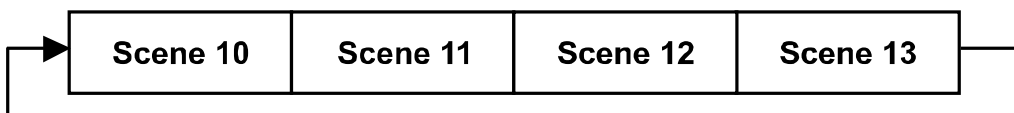
Auto Pro Part 1 is Program 2

Auto Pro Part 2 is Program 3

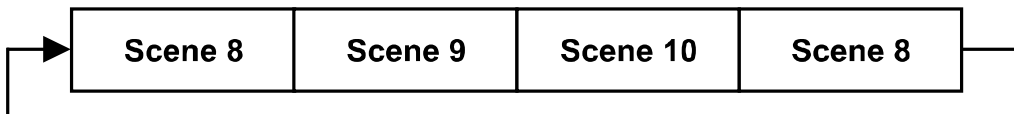
Auto Pro Part 3 is Program 6

The 3 Slave groups run the Auto Program in certain time segments, as shown in the following picture:

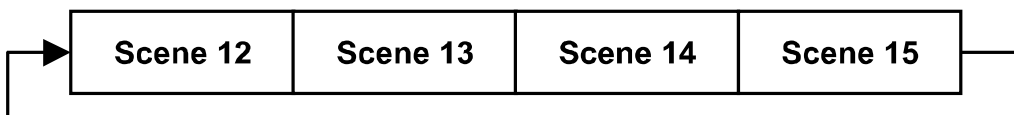
Part 1:



Part 2:



Part 3:



DMX CHANNEL FUNCTIONS AND VALUES

ELATION© SATURA PROFILE™					
DMX Channel Values / Functions (54 DMX Channels)					
Supports Software Versions: ≥ 1.0.2					
Features are subject to change without any prior written notice.					
<i>*Rotation direction (Clockwise or Counterclockwise) of effects depends on orientation of the fixture head and Pan/Tilt settings.</i>					
MODE / CHANNEL			FUNCTION		
BASIC	STAND	EXTEND			
1	1	1	0-255	PAN MOVEMENT [8 BIT] PAN Movement	
			2	2	0-255
2	3	3			0-255
			4	4	0-255
3	5	5			0-255
			6	0-255	CYAN COLOR FINE CYAN FINE Adjustment
				4	6
8	0-255	MAGENTA COLOR FINE MAGENTA FINE Adjustment			
	5	7	9	0-255	YELLOW COLOR 0-WHITE ~ 255-100% YELLOW
10				0-255	YELLOW COLOR FINE YELLOW FINE Adjustment
				6	8
12	0-255	CTO COLOR FINE CTO FINE Adjustment			
	7	9	13	0-255	CMY / COLOR MACRO SPEED MAX to MIN Speed
8				10	14
	16-31	RED			
	32-47	BLUE			
	48-63	GREEN			
	64-79	YELLOW			
	80-95	MAGENTA			
	96-111	ORANGE			
	112-127	LIGHT BLUE			
	128-189	*Clockwise COLOR Rotation from FAST to SLOW			
	190-193	NO Rotation			
	194-255	*Counterclockwise COLOR Rotation from SLOW to FAST			
8	10	14	0-255	COLOR WHEEL FINE ADJUSTMENT FINE Adjustment of Color Wheel to Any Position	

ELATION® SATURA PROFILE™				
DMX Channel Values / Functions (54 DMX Channels)				
Supports Software Versions: ≥ 1.0.2				
Features are subject to change without any prior written notice.				
*Rotation direction (Clockwise or Counterclockwise) of effects depends on orientation of the fixture head and Pan/Tilt settings.				
MODE / CHANNEL			FUNCTION	
BASIC	STAND	EXTEND		
9	11	16	ROTATING GOBOS, CONTINUOUS ROTATION [GOBO WHEEL 1]	
			0-9	OPEN
			10-19	Rotating Gobo 1
			20-29	Rotating Gobo 2
			30-39	Rotating Gobo 3
			40-49	Rotating Gobo 4
			50-59	Rotating Gobo 5
			60-69	Rotating Gobo 6
			70-89	Gobo 1 Shake SLOW to FAST
			90-109	Gobo 2 Shake SLOW to FAST
			110-129	Gobo 3 Shake SLOW to FAST
			130-149	Gobo 4 Shake SLOW to FAST
			150-169	Gobo 5 Shake SLOW to FAST
			170-189	Gobo 6 Shake SLOW to FAST
190-255	*Clockwise Gobo Wheel Rotation from SLOW to FAST			
10	12	17	ROTATING GOBOS, INDEX ROTATION [GOBO WHEEL 1]	
			0-127	Gobo Indexing
			128-193	*Clockwise Gobo Rotation from FAST TO SLOW
			194-255	*Counterclockwise Gobo Rotation from SLOW to FAST
		18	ROTATING GOBOS, FINE INDEX ROTATION [GOBO WHEEL 1]	
			0-255	Gobo Rotation FINE Indexing
11	13	19	STATIC / FIXED GOBOS [GOBO WHEEL 2]	
			0-13	OPEN
			14-27	Static / Fixed Gobo 1
			28-41	Static / Fixed Gobo 2
			42-55	Static / Fixed Gobo 3
			56-69	Static / Fixed Gobo 4
			70-83	Static / Fixed Gobo 5
			84-97	Static / Fixed Gobo 6
			98-111	Static / Fixed Gobo 7
			112-127	Shake SLOW to FAST Static / Fixed Gobo 1
			128-143	Shake SLOW to FAST Static / Fixed Gobo 2
			144-159	Shake SLOW to FAST Static / Fixed Gobo 3
			160-175	Shake SLOW to FAST Static / Fixed Gobo 4
			176-191	Shake SLOW to FAST Static / Fixed Gobo 5
			192-207	Shake SLOW to FAST Static / Fixed Gobo 6
			208-223	Shake SLOW to FAST Static / Fixed Gobo 7
224-255	*Clockwise Gobo Wheel Rotation from SLOW to FAST			

ELATION® SATURA PROFILE™				
DMX Channel Values / Functions (54 DMX Channels)				
Supports Software Versions: ≥ 1.0.2				
Features are subject to change without any prior written notice.				
*Rotation direction (Clockwise or Counterclockwise) of effects depends on orientation of the fixture head and Pan/Tilt settings.				
MODE / CHANNEL			VALUE	FUNCTION
BASIC	STAND	EXTEND		
12	14	20		ROTATING PRISM, PRISM / GOBO MACROS
			0-63	OPEN
			64-127	3-FACET Rotating Prism
			128-135	Prism / Gobo Macro 1
			136-143	Prism / Gobo Macro 2
			144-151	Prism / Gobo Macro 3
			152-159	Prism / Gobo Macro 4
			160-167	Prism / Gobo Macro 5
			168-175	Prism / Gobo Macro 6
			176-183	Prism / Gobo Macro 7
			184-191	Prism / Gobo Macro 8
			192-199	Prism / Gobo Macro 9
			200-207	Prism / Gobo Macro 10
			208-215	Prism / Gobo Macro 11
			216-223	Prism / Gobo Macro 12
			224-231	Prism / Gobo Macro 13
232-239	Prism / Gobo Macro 14			
240-247	Prism / Gobo Macro 15			
248-255	Prism / Gobo Macro 16			
13	15	21		ROTATING PRISM, PRISM INDEX ROTATION
			0-127	Prism Indexing
			128-189	*Clockwise Linear Prism Rotation from FAST to SLOW
			190-193	NO Rotation
			194-255	*Counterclockwise Linear Prism Rotation from SLOW to FAST
14	16	22		SHUTTER, STROBE
			0-31	Shutter CLOSED
			32-63	NO Function (Shutter OPEN)
			64-95	Strobe Effect SLOW to FAST
			96-127	NO function (Shutter OPEN)
			128-159	Pulse Effect In Sequences
			160-191	NO Function (Shutter OPEN)
			192-223	Random Strobe Effect SLOW to FAST
224-255	NO Function (Shutter OPEN)			
15	17	23		DIMMER INTENSITY
			0-255	Intensity 0 to 100%
		24		DIMMER INTENSITY FINE [16 BIT]
			0-255	Intensity 0 to 100%
16	18	25		DIMMER CURVE MODES
			0-20	STANDARD
			21-40	STAGE
			41-60	TV
			61-80	ARCHITECTURAL
			81-100	THEATER
101-255	DEFAULT to UNIT CURVE SETTING			

ELATION® SATURA PROFILE™				
DMX Channel Values / Functions (54 DMX Channels)				
Supports Software Versions: ≥ 1.0.2				
Features are subject to change without any prior written notice.				
*Rotation direction (Clockwise or Counterclockwise) of effects depends on orientation of the fixture head and Pan/Tilt settings.				
MODE / CHANNEL			VALUE	FUNCTION
BASIC	STAND	EXTEND		
17	19	26		FROST
			0-127	OPEN
			128-255	100% Frost
18	20	27		IRIS
			0-191	MAX to MIN Diameter
			192-223	Pulse Closing FAST to SLOW
			224-255	Pulse Closing SLOW to FAST
		28		IRIS FINE
			0-255	Iris FINE Adjustment
19	21	29		FOCUS
			0-255	Continuous Adjustment from FAR to NEAR
		30		FOCUS FINE
			0-255	Continuous FINE Focus Adjustment
20	22	31		MOTORIZED ZOOM
			0-255	ZOOM Adjustment from SMALL to BIG
		32		MOTORIZED ZOOM FINE
			0-255	ZOOM FINE Adjustment
21	23	33		BLADE #1
			0-255	OPEN to CLOSE
		34		BLADE #1 FINE [16 BIT]
			0-255	OPEN to CLOSE FINE Adjustment
22	24	35		BLADE #1 ROTATION
			0-255	ROTATION
		36		BLADE #1 ROTATION FINE [16 BIT]
			0-255	ROTATION FINE Adjustment
23	25	37		BLADE #2
			0-255	OPEN to CLOSE
		38		BLADE #2 FINE [16 BIT]
			0-255	OPEN to CLOSE FINE Adjustment
24	26	39		BLADE #2 ROTATION
			0-255	ROTATION
		40		BLADE #2 ROTATION FINE [16 BIT]
			0-255	ROTATION FINE Adjustment
25	27	41		BLADE #3
			0-255	OPEN to CLOSE
		42		BLADE #3 FINE [16 BIT]
			0-255	OPEN to CLOSE FINE Adjustment
26	28	43		BLADE #3 ROTATION
			0-255	ROTATION
		44		BLADE #3 ROTATION FINE [16 BIT]
			0-255	ROTATION FINE Adjustment

ELATION© SATURA PROFILE™				
DMX Channel Values / Functions (54 DMX Channels)				
Supports Software Versions: ≥ 1.0.2				
Features are subject to change without any prior written notice.				
*Rotation direction (Clockwise or Counterclockwise) of effects depends on orientation of the fixture head and Pan/Tilt settings.				
MODE / CHANNEL			VALUE	FUNCTION
BASIC	STAND	EXTEND		
27	29	45		BLADE #4
			0-255	OPEN to CLOSE
		46		BLADE #4 FINE [16 BIT]
			0-255	OPEN to CLOSE FINE Adjustment
28	30	47		BLADE #4 ROTATION
			0-255	ROTATION
		48		BLADE #4 ROTATION FINE [16 BIT]
			0-255	ROTATION FINE Adjustment
29	31	49		ALL (4) BLADES ROTATION
			0-255	All (4) Blade Rotation
		50		ALL (4) BLADES ROTATION FINE [16 BIT]
			0-255	All (4) Blade FINE Rotation
30	32	51		BLADE SPEED
			0-255	BLADE Speed FAST to SLOW
31	33	52		BLADE MACROS
			0-14	OFF
			15-29	Blade Macro 1
			30-44	Blade Macro 2
			45-59	Blade Macro 3
			60-74	Blade Macro 4
			75-89	Blade Macro 5
			90-104	Blade Macro 6
			105-119	Blade Macro 7
			120-134	Blade Macro 8
			135-149	Blade Macro 9
			150-164	Blade Macro 10
			165-179	Blade Macro 11
			180-194	Blade Macro 12
			195-209	Blade Macro 13
			210-224	Blade Macro 14
225-239	Blade Macro 15			
240-255	Blade Macro 16			
32	34	53		PAN / TILT MOVEMENT SPEED
			0-225	MAX to MIN Speed
			226-235	Blackout by Movement
			236-255	Blackout by COLOR / GOBO Wheel Movement

ELATION® SATURA PROFILE™				
DMX Channel Values / Functions (54 DMX Channels)				
Supports Software Versions: ≥ 1.0.2				
Features are subject to change without any prior written notice.				
*Rotation direction (Clockwise or Counterclockwise) of effects depends on orientation of the fixture head and Pan/Tilt settings.				
MODE / CHANNEL			VALUE	FUNCTION
BASIC	STAND	EXTEND		
33	35	54		LAMP ON/OFF, RESET, INTERNAL PROGRAMS
			0-19	GOBO Change Normal
			20-29	COLOR Change to Any Position
			30-39	GOBO Change to Any Position
			40-59	NO FUNCTION
			60-79	NO FUNCTION
			80-84	ALL Motors Reset
			85-87	SCAN Motor Reset
			88-90	COLOR Motors Reset
			91-93	GOBO Motors Reset
			94-96	NO FUNCTION
			97-99	OTHER Motors Reset
			100-119	Internal Program 1 (Scene 1-8)
			120-139	Internal Program 2 (Scene 9-16)
			140-159	Internal Program 3 (Scene 17-24)
			160-179	Internal Program 4 (Scene 25-32)
			180-199	Internal Program 5 (Scene 33-40)
			200-219	Internal Program 6 (Scene 41-48)
			220-239	Internal Program 7 (Scene 49-56)
			240-255	NO FUNCTION

ERROR CODES

When power is applied, the unit will automatically enter a **“Reset/Test”** mode. This mode brings all the internal motors to a home position. If there is an internal problem with one or more of the motors an error code will flash in the display in the form of **“XXer”** where as XX will represent a function number. For example, when the display shows **“0Er”** it means there is some type of error with the Pan motor. If there are multiple errors during the start-up process they will all flash in the display. For example: if the fixtures has errors on **Channel 1, 2, and 5** all at the same time, you will see the error message **“01Er”, “02Er”, and “05Er”** flash repeated 5 times.

If an error does occur during the initial start-up procedure the fixture will self-generate a second reset signal and try to realign all the motors and correct the errors. If the error persists after a second attempt a third attempt will be made. If after a third attempt all the errors have not been corrected the fixture will make the following determinations:

- **3 or More Errors** - The fixture cannot function properly with three or more errors therefore the fixture will place itself in a stand-by mode until subsequent repairs can be made.
- **Less Than 3 Errors** - The fixture has less than 3 errors; therefore most other functions will work properly. The fixture will attempt to operate normally until the errors can be correct by a technician. The errors in question will remain flashing in the display as a reminder of internal errors.

ELATION© SATURA PROFILE™	
ERROR CODES	
Error Codes are subject to change without any prior written notice.	
ERROR CODE	DESCRIPTION
PAN Er	The PAN movement is not located in the default position after the reset. This message will appear after a fixture reset if the magnetic-indexing circuit malfunctions (sensor failed or magnet is missing) or there is a motor failure (defective motor or a defective motor IC drive on the main PCB). This error may also be displayed if the head/yoke was blocked during a reset function.
TILT Er	The TILT movement is not located in the default position after the reset. This message will appear after a fixture reset if the magnetic-indexing circuit malfunctions (sensor failed or magnet is missing) or there is a motor failure (defective motor or defective motor IC drive on main PCB). This error may also be displayed if the head was blocked during a reset function.
Cyan Color Wheel Er	The Cyan Color Wheel is not located in the default position after the reset. This message will appear after the reset of the fixture reset if the magnetic-indexing circuit malfunctions (sensor failed or magnet is missing) or there is a stepper motor failure (defective motor or defective motor IC drive on main PCB).
Magenta Color Wheel Er	The Magenta Color Wheel is not located in the default position after the reset. This message will appear after the reset of the fixture reset if the magnetic-indexing circuit malfunctions (sensor failed or magnet is missing) or there is a stepper motor failure (defective motor or defective motor IC drive on main PCB).
Yellow Color Wheel Er	The Yellow Color Wheel is not located in the default position after the reset. This message will appear after the reset of the fixture reset if the magnetic-indexing circuit malfunctions (sensor failed or magnet is missing) or there is a stepper motor failure (defective motor or defective motor IC drive on main PCB).
CTO Color Wheel Er	The CTO Color Wheel is not located in the default position after the reset. This message will appear after the reset of the fixture reset if the magnetic-indexing circuit malfunctions (sensor failed or magnet is missing) or there is a stepper motor failure (defective motor or defective motor IC drive on main PCB).
Speed of CMY Wheel Er	The CMY Wheel is not located in the default position after the reset. This message will appear after the reset of the fixture reset if the magnetic-indexing circuit malfunctions (sensor failed or magnet is missing) or there is a stepper motor failure (defective motor or defective motor IC drive on main PCB).
Color Wheel Er	The Color Wheel is not located in the default position after the reset. This message will appear after the reset of the fixture reset if the magnetic-indexing circuit malfunctions (sensor failed or magnet is missing) or there is a stepper motor failure (defective motor or defective motor IC drive on main PCB).

ELATION© SATURA PROFILE™ ERROR CODES	
Specifications and features are subject to change without any prior written notice.	
ERROR CODE	DESCRIPTION
Gobo Rot Er	The Rotating Gobo movement is not located in the default position after the reset. This message will appear after a fixture reset if the gobo wheel's magnetic-indexing circuit malfunctions (sensor failed or magnet is missing) or there is a stepper motor failure (defective motor or defective motor IC drive on main PCB).
Rot Gobo Er	The Rotating Gobo Wheel movement is not located in the default position after the reset. This message will appear after a fixture reset if the gobo wheel's magnetic-indexing circuit malfunctions (sensor failed or magnet is missing) or there is a stepper motor failure (defective motor or defective motor IC drive on main PCB).
Fixed Gobos Er	The Fixed Gobo Wheel movement is not located in the default position after the reset. This message will appear after a fixture reset if the gobo wheel's magnetic-indexing circuit malfunctions (sensor failed or magnet is missing) or there is a stepper motor failure (defective motor or defective motor IC drive on main PCB).
Rotating Prsim Er	The Animation movement is not located in the default position after the reset. This message will appear after the reset of the fixture reset if the magnetic-indexing circuit malfunctions (sensor failed or magnet is missing) or there is a stepper motor failure (defective motor or defective motor IC drive on main PCB).
Iris Er	The Iris movement is not located in the default position after the reset. This message will appear after the reset of the fixture reset if the magnetic-indexing circuit malfunctions (sensor failed or magnet is missing) or there is a stepper motor failure (defective motor or defective motor IC drive on main PCB).
Focus Er	The Focus movement is not located in the default position after the reset. This message will appear after the reset of the fixture reset if the magnetic-indexing circuit malfunctions (sensor failed or magnet is missing) or there is a stepper motor failure (defective motor or defective motor IC drive on main PCB).
Blade 1 Er	The Blade 1 is not located in the default position after the reset. This message will appear after the reset of the fixture reset if the magnetic-indexing circuit malfunctions (sensor failed or magnet is missing) or there is a stepper motor failure (defective motor or defective motor IC drive on main PCB).
Blade 2 Er	The Blade 2 is not located in the default position after the reset. This message will appear after the reset of the fixture reset if the magnetic-indexing circuit malfunctions (sensor failed or magnet is missing) or there is a stepper motor failure (defective motor or defective motor IC drive on main PCB).

ELATION© SATURA PROFILE™ ERROR CODES	
Specifications and features are subject to change without any prior written notice.	
ERROR CODE	DESCRIPTION
g4UFan1 Error	Error information from JB1 port on 4U01 PCB. Displayed as 4U_Fan1 RPM <1000.
g4UFan2 Error	Error information from JB2 port on 4U01 PCB. Displayed as 4U_Fan2 RPM <1000.
g5UFan1 Error	Error information from JB2 port on 5U01 PCB. Displayed as 5U_Fan1 RPM <1000.
g5UFan2 Error	Error information from JB2 port on 5U01 PCB. Displayed as 5U_Fan2 RPM <1000.
Temp Error	Temperature <37.4°F (3°C) or >320°F (160°C).

CLEANING AND MAINTENANCE



C A U T I O N

Disconnect power before cleaning or maintenance.

CLEANING

Frequent cleaning is recommended to insure proper function, optimized light output, and an extended life. The frequency of cleaning depends on the environment in which the fixture operates: damp, smoky or particularly dirty environments can cause greater accumulation of dirt on the fixture's optics.

- Clean the external lens surface at least every 20 days with a soft cloth to avoid dirt/debris accumulation.
- Never use alcohol, solvents, or ammonia based cleaners.

MAINTENANCE

Regular inspections are recommended to insure proper function and extended life. There are no user serviceable parts inside this fixture, please refer all other service issues to an authorized Elation service technician. Should you need any spare parts, please order genuine parts from your local Elation dealer.

Please refer to the following points during routine inspections:

- A detailed electric check by an approved electrical engineer every three months, to make sure the circuit contacts are in good condition and prevent overheating.
- Be sure all screws and fasteners are securely tightened at all times. Loose screws may fall out during normal operation resulting in damage or injury as larger parts could fall.
- Check for any deformations on the housing, color lenses, rigging hardware and rigging points (ceiling, suspension, trussing). Deformations in the housing could allow for dust to enter into the fixture. Damaged rigging points or unsecured rigging could cause the fixture to fall and seriously injure a person(s).
- Electric power supply cables must not show any damage, material fatigue or sediments. Never remove the ground prong from the power cable.

TECHNICAL SPECIFICATIONS

SOURCE

440W Cool White 20,000 Lumen LED Engine

50,000 Hour Average LED Life*

*May vary depending on several factors including but not limited to:

Environmental Conditions, Power/Voltage, Usage Patterns (On-Off Cycling), Control, and Dimming.

EFFECTS

11° - 38° Motorized Zoom

4-Blade Framing Shutter System

3-Facet Rotating Prism and Prism Macros

Frost Filter Hybrid Wash Effect

Motorized Zoom, Iris and Focus

High Speed Electronic Shutter and Strobe

Variable Dimming Curve

COLOR

7 Dichroic Colors

Full CMY Color Mixing

Linear CTO Color Correction

GOBOS

(2) Gobo Wheels

(6) Interchangeable-Rotating / Indexing Glass Gobos

(7) Interchangeable Static-Stamped Metal Gobos

CONTROL / CONNECTIONS

(3) DMX Channel Modes (33 / 35 / 54)

RDM (Remote Device Management)

6 Button Touch Control Panel

Full Color 180° Reversible LCD Menu Display

8 / 16 Bit Resolution Adjustable Movement

3pin and 5pin DMX In/Out

RJ45 Ethernet In/Out (Art-NET)

powerCON Power In

SIZE / WEIGHT

Length: 17.7" (450mm)

Width: 20.7" (525mm)

Vertical Height: 29.3" (745mm)

Weight: 75.0 lbs. (34.0 kg)

ELECTRICAL / THERMAL

AC 100-240V - 50/60Hz

650W Max Power Consumption

14°F to 113°F (-10°C to 45°C)

APPROVALS / RATINGS

CE | RoHs | P20



Please Note: Specifications and improvements in the design of this unit and this manual are subject to change without any prior written notice.

COLORS AND GOBOS

COLOR FLAGS



CYAN MAGENTA YELLOW C.T.O.

COLOR WHEEL



RED Pos. 1 BLUE Pos. 2 GREEN Pos. 3 YELLOW Pos. 4 MAGENTA Pos. 5 ORANGE Pos. 6 LIGHT BLUE Pos. 7

INTERCHANGEABLE-ROTATING GOBO WHEEL 1 - OD: Ø28.8mm** ID: Ø24.0mm



Pos. 1 Pos. 2 Pos. 3 Pos. 4 Pos. 5 Pos. 6

INTERCHANGEABLE STATIC-FIXED GOBO WHEEL 2 - OD: Ø27.0mm** ID: Ø22.0mm



Pos. 1 Pos. 2 Pos. 3 Pos. 4 Pos. 5 Pos. 6 Pos. 7

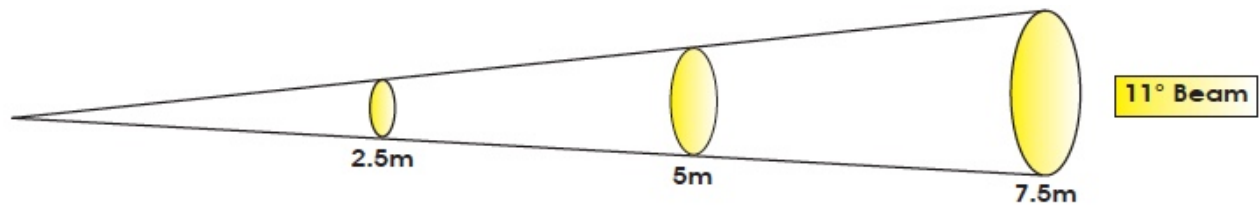
****IMPORTANT NOTICE REGARDING GOBO DIMENSIONS AND CUSTOM GOBOS**

OD = Outside Diameter | ID = Image Diameter

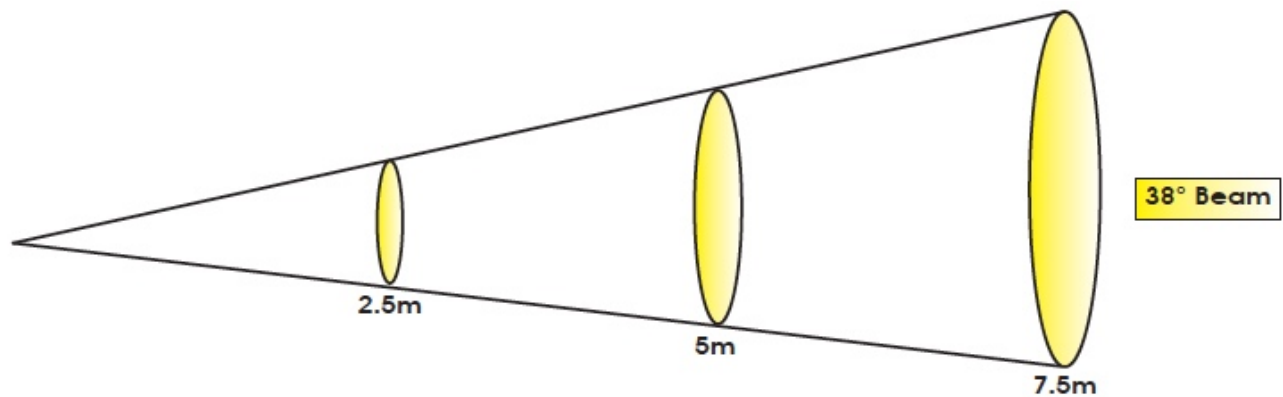
Due to varying manufacturing processes, it is highly recommended to provide a gobo and holder sample from the fixture to 3rd party custom gobo vendors for accurate sizing.

Please Note: Specifications and improvements in the design of this unit and this manual are subject to change without any prior written notice.

PHOTOMETRIC DATA

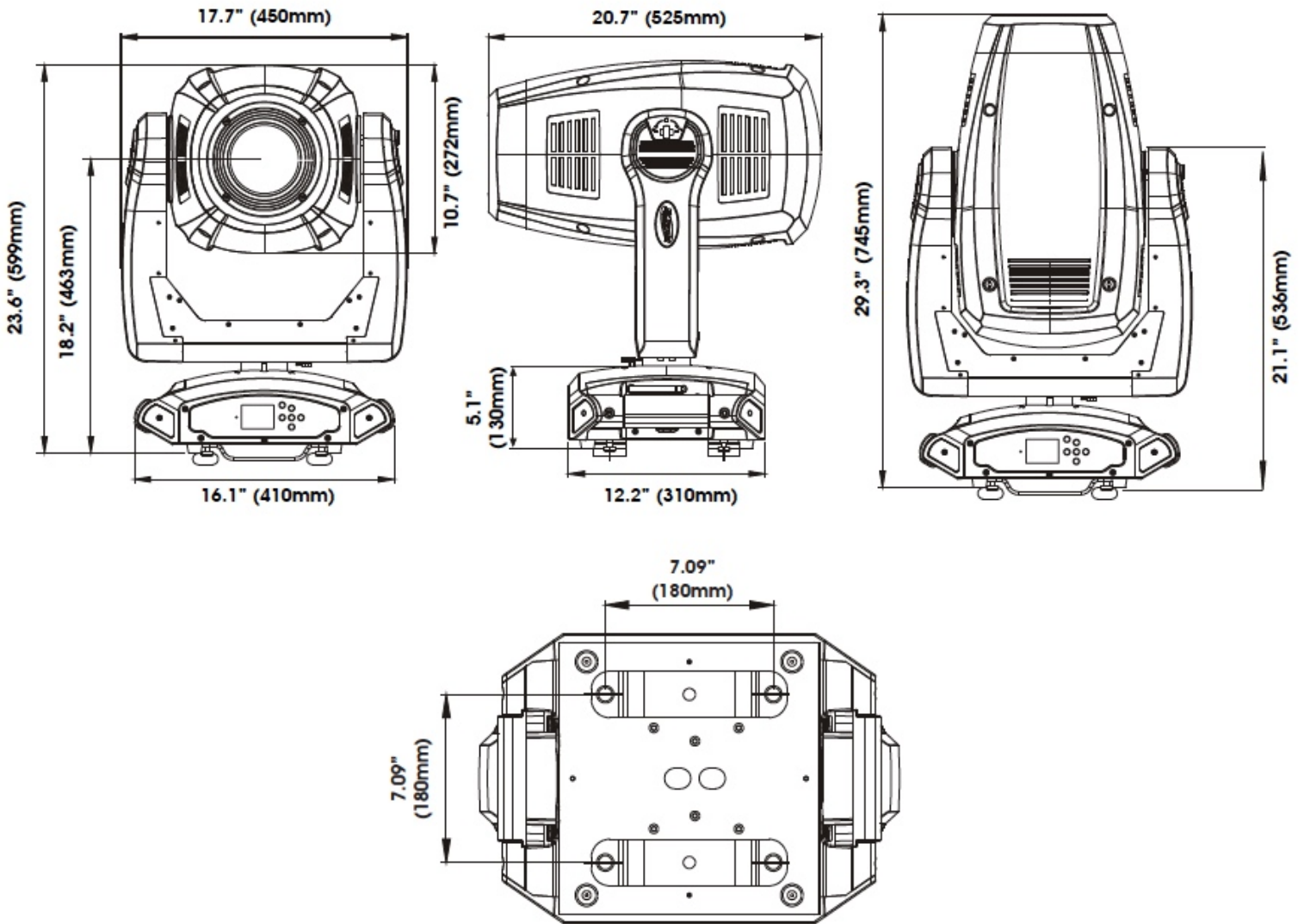


Distance	2.5m	8.2 ft	5m	16.4 ft	7.5m	24.6 ft
Diameter	0.5	1.6	1.02	3.3	1.52	5.0
Photometrics	lux	fc	lux	fc	lux	fc
FULL ON	48,160	4,474	11,200	1,040	5,584	519



Distance	2.5m	8.2 ft	5m	16.4 ft	7.5m	24.6 ft
Diameter	1.72	5.6	3.45	11.3	5.2	17.1
Photometrics	lux	fc	lux	fc	lux	fc
FULL ON	6,100	567	5,854	544	3,510	326

DIMENSIONAL DRAWINGS



Please Note: Specifications and improvements in the design of this unit and this manual are subject to change without any prior written notice.

OPTIONAL ACCESSORIES

ORDER CODE	ITEM
TRIGGER CLAMP	Heavy Duty Wrap Around Hook Style Clamp
DRCSATPRO	Dual Touring Road Case For SATURA PROFILE™
EWDMXSYSTEM	Wireless DMX System (1 Transmitter, 1 Receiver)
AC3PDMX5PRO	5 ft. (1.5m) 3pin PRO DMX Cable
AC5PDMX5PRO	5 ft. (1.5m) 5pin PRO DMX Cable
CAT6PRO5	5 ft. (1.5m) CAT6 EtherCON Cable
	Additional Cable Lengths Available

