



SATURA SPOT CMY PRO™

SKU# SAT500

The new Satura Spot CMY™ is a high powered LED spot luminaire featuring a 320W LED engine delivering comparable color output to a 575W fixture, 11,700 total lumens output, 14° to 36° motorized zoom, CMY color mixing, 7 dichroic colors, 6 rotating interchangeable and 7 static-stamped gobos, 5 variable dimming curve modes, zoom, focus, and iris, 3-facet rotating prism, Art-NET (DMX over Ethernet) support, 3 and 5 pin DMX, EtherCON (RJ45) in/out, and powerCON connections, an internal EWDMX wireless DMX receiver, (6) button control full color 180° reversible menu display, 500W max power consumption, and a multi-voltage universal auto switching power supply (100-204v).



FEATURES

High Powered 14° to 36° LED Spot Luminaire

320W LED Engine 11,700 Lumens, 8,000K

Comparable Color Output To 575W Fixture

7 Dichroic Colors, CMY Color Mixing, and CTO

6 Rotating Interchangeable + 7 Static-Stamped Gobos

Variable Dimming Curve Modes, Zoom, Focus, Iris

3-Facet Rotating Prism and 16 Prism Macros

Art-NET (DMX Over Ethernet) Support

Internal EWDMX Wireless DMX Receiver



PRODUCT SPECIFICATIONS

SOURCE

320W LED Engine
50,000 Hour Average LED Life*

*LED Life may vary depending on several factors including but not limited to: Environmental Conditions, Power/Voltage, Usage Patterns (On-Off Cycling), Control and Dimming.

PHOTOMETRIC DATA

11,700 Total Lumens, 8,000K
27,430 LUX 2,548 FC @8.2' (2.5m) (14° Zoom Full ON)
4,735 LUX 440 FC @8.2' (2.5m) (36° Zoom Full ON)

EFFECTS

Frost Filter
3-Facet Rotating Prism
Iris: 5% - 100%
Strobe: 1-18fps
Dimming: 0% - 100%
Variable Dimming Curve Modes

COLOR

7 Dichroic Colors + White (Open)
CMY Color Mixing + CTO

GOBOS

2 Gobo Wheels
6 Interchangeable / Rotating / Indexing Gobos
7 Static-Stamped / Indexing Gobos

CONTROL / CONNECTIONS

(3) DMX Channel Modes (22 / 24 / 33)
RDM (Remote Device Management)
6 Button Touch Control Panel
Full Color 180° Reversible LCD Menu Display
8 / 16 Bit Resolution Adjustable Movement
3pin & 5pin DMX In/Out
etherCON (RJ45) In/Out (Art-NET)
powerCON Power In

SIZE / WEIGHT

Length: 20.0" (508mm)
Width: 16.9" (430mm)
Vertical Height: 28.6" (727mm)
Weight: 66.1 lbs. (30 kg)

ELECTRICAL / THERMAL

AC 100-240V - 50/60Hz
500W Max Power Consumption
-13°F to 113°F (-25°C to 45°C)

APPROVALS / RATINGS

CE | IP20

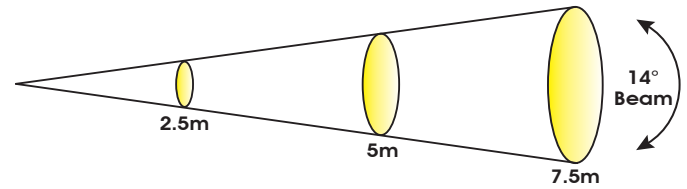
INSTALLATION

Rigging: Clamps (Not Included)
Working Position: Flat Surface / Inverted (180°)

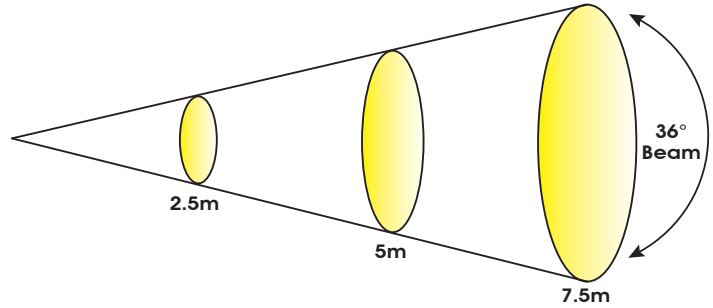
OPTIONAL ACCESSORIES

ORDER CODE	ITEM
TRIGGER CLAMP	Heavy Duty Wrap Around Hook Style Clamp
** pending **	Road Case For Platinum FLX™
AC3PDMX5PRO	5 ft. (1.5m) 3pin PRO DMX Cable
AC5PDMX5PRO	5 ft. (1.5m) 5pin PRO DMX Cable
CAT005	5' (1.5m) CAT6 EtherCON Cable
	Additional cable lengths available

PHOTOMETRIC DATA



MIN ZOOM	m		ft		m		ft		m		ft	
	Distance	2.5	5	8.2	16.4	7.5	24.6	1.74	5.7	1.74	5.7	
14° Beam Diameter	lux	0.6	2.0	lux	1.14	3.7	lux	1.74	5.7	lux	1.74	5.7
	Full ON	27,430	2548	7,485	695	3,270	304					



MAX ZOOM	m		ft		m		ft		m		ft	
	Distance	2.5	5	8.2	16.4	7.5	24.6	3.22	10.6	4.83	15.8	
36° Beam Diameter	lux	1.61	5.3	lux	1.233	115	lux	585	54	lux	585	54
	Full ON	4,735	440	1,233	115	585	54					

COLORS AND GOBOS*

*Not To Scale - For Illustrations Purposes Only - Subject To Change Without Notice

COLOR WHEEL



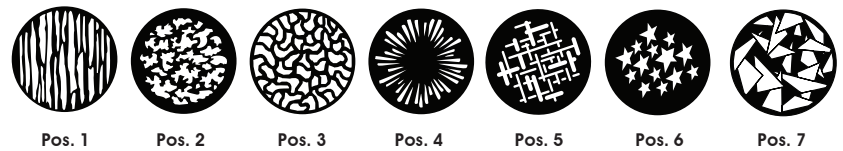
COLOR FLAGS



INTERCHANGEABLE-ROTATING GOBO WHEEL 1 - OD: Ø28.8mm**



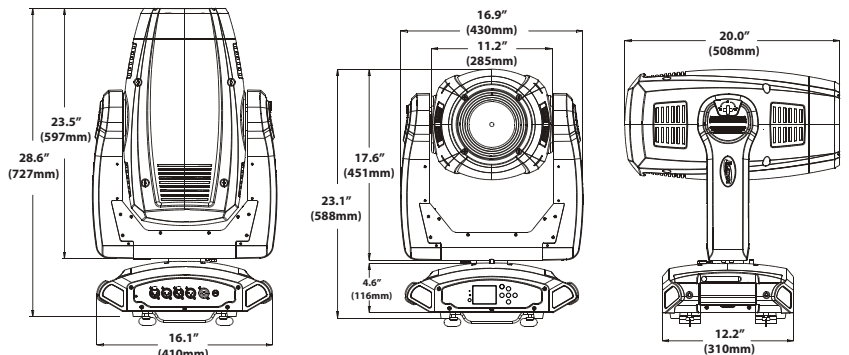
STATIC-STAMPED GOBO WHEEL 2



****IMPORTANT NOTICE REGARDING GOBO DIMENSIONS AND CUSTOM GOBOS**

OD = Outside Diameter | ID = Image Diameter
Due to varying manufacturing processes, it is highly recommended to provide a gobo and holder sample from the fixture to 3rd party custom gobo vendors for accurate sizing.

DIMENSIONAL DIAGRAMS



Specifications are subject to change without notice ©Elation Professional 10/27/15

Elation Professional USA | 6122 S. Eastern Ave. | Los Angeles, CA. 90040
323-582-3322 | 323-832-9142 fax | www.elationlighting.com | info@elationlighting.com

Elation Professional B.V. | Junostraat 2 | 6468 EW Kerkrade, The Netherlands
+31 45 546 85 66 | +31 45 546 85 96 fax | www.elationlighting.eu | info@elationlighting.eu