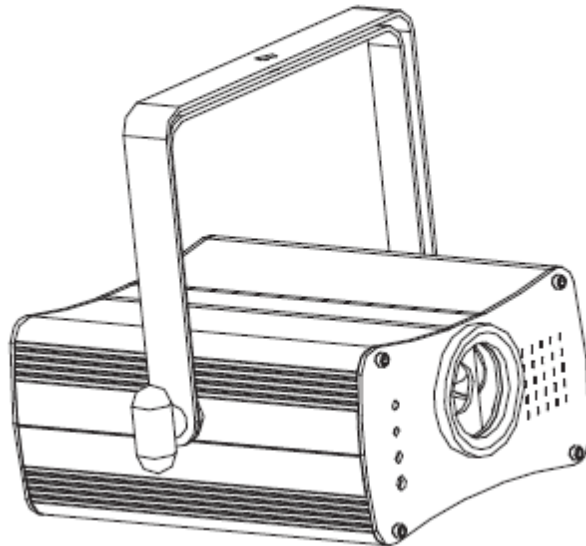




ANI-MOTION



User Instructions

A.D.J. Supply Europe B.V.
Junostraat 2
6468 EW Kerkrade
The Netherlands
www.americandj.eu

©2016 **ADJ Products, LLC** all rights reserved. Information, specifications, diagrams, images, and instructions herein are subject to change without notice. ADJ Products, LLC logo and identifying product names and numbers herein are trademarks of ADJ Products, LLC. Copyright protection claimed includes all forms and matters of copyrightable materials and information now allowed by statutory or judicial law or hereinafter granted. Product names used in this document may be trademarks or registered trademarks of their respective companies and are hereby acknowledged. All non-ADJ Products, LLC brands and product names are trademarks or registered trademarks of their respective companies.

ADJ Products, LLC and all affiliated companies hereby disclaim any and all liabilities for property, equipment, building, and electrical damages, injuries to any persons, and direct or indirect economic loss associated with the use or reliance of any information contained within this document, and/or as a result of the improper, unsafe, insufficient and negligent assembly, installation, rigging, and operation of this product.

Contents

GENERAL INFORMATION	4
GENERAL INSTRUCTIONS	4
FEATURES.....	4
SAFETY PRECAUTIONS	5
LASER WARNINGS AND SAFETY	5
LASER WARNING LABELS	7
OVERVIEW	8
OPERATION	8
CAD DRAWING	9
UC LASER IR CONTROL	9
CLEANING.....	9
TROUBLE SHOOTING.....	10
SPECIFICATIONS	10
ROHS - A great Contribution to the Conservation of Environment	11
WEEE – Waste of Electrical and Electronic Equipment	11

GENERAL INTRODUCTION

Unpacking: Thank you for purchasing the Ani-Motion by ADJ Products, LLC. Every Ani-Motion has been thoroughly tested and has been shipped in perfect operating condition. Carefully check the shipping carton for damage that may have occurred during shipping. If the carton appears to be damaged, carefully inspect your fixture for any damage and be sure all equipment necessary to operate the unit has arrived intact. In the event damage has been found or parts are missing, please contact our toll free customer support number for further instructions. Please do not return this unit to your dealer without contacting customer support first.

Introduction: The Ani-Motion is an simple, compact, bright, green and red laser fixture. The Ani-Motion is a stand alone fixture with 2 operating modes. *For best results use fog or special effects smoke to enhance the beams projections.*

Customer Support: If you encounter any problems, please contact your trusted American Audio shop. We also offer the possibility, to contact us directly: You can contact us via our website www.americandj.eu or via email: support@americandj.eu

Warning! To prevent or reduce the risk of electrical shock or fire, do not expose this unit to rain or moisture.

Caution! There are no user serviceable parts inside this unit. Do not attempt any repairs yourself, doing so will void your manufactures warranty. In the unlikely event your unit may require service please contact ADJ customer support.

PLEASE recycle the shipping carton whenever possible.

GENERAL INSTRUCTIONS

Please carefully read and understand the instructions in this manual thoroughly before attempting to operate this unit. These instructions contain important safety information regarding the use and maintenance of this unit. Please keep this manual with the unit, for future reference.

CAUTION IMPORTANT! When installing this projector, make sure that it is mounted in a manner that prevents the audience from looking directly into the beam, and the beam from striking the audience.

FEATURES

- 30mW Green Laser
- 80mW Red Laser
- 2 Operating Modes - Sound Active Mode & Auto Mode
- UC Laser IR Wireless Remote Control (Included)
- Dual Hanging Bracket

SAFETY PRECAUTIONS



- To reduce the risk of electrical shock or fire, do not expose this unit rain or moisture.
- Do not spill water or other liquids into or on to your unit.
- Do not attempt to remove or break off the ground prong from the electrical cord. This prong is used to reduce the risk of electrical shock and fire in case of an internal short. Do not attempt to operate this unit if the power cord has been frayed or broken.
- Disconnect from main power before making any type of connection.
- Do not remove the cover under any conditions. There are no user serviceable parts inside.
- Always be sure to mount this unit in an area that will allow proper ventilation. Allow about 6" (15cm) between this device and a wall.
- Do not attempt to operate this unit, if it becomes damaged.
- This unit is intended for indoor use only, use of this product outdoors voids all warranties.
- During long periods of non-use, disconnect the unit's main power.
- Always mount this unit in safe and stable matter.
- Power cords should be routed so they are not likely to be walked on, pinched by items placed upon or against them.
- Cleaning -The fixture should be cleaned only as recommended by the manufacturer. **See page 9** for cleaning details.
- Heat -The appliance should be situated away from heat sources such as radiators, heat registers, stoves, or other appliances (including amplifiers) that produce heat.
- The fixture should be serviced by qualified service personnel when:
 - A. The power-supply cord or the plug has been damaged.
 - B. Objects have fallen, or liquid has been spilled into the unit.
 - C. The unit has been exposed to rain or water.
 - D. The unit does not appear to operate normally or exhibits a marked change in performance.

LASER WARNINGS AND SAFETY

NON-INTERLOCKED HOUSING WARNING

The Ani-Motion contains high power laser devices internally. **Do not** open the laser housing, due to the potential exposure to unsafe levels of laser radiation. The laser power levels, if the unit is opened, can cause instant blindness, skin burns and fires.

STOP AND READ ALL LASER SAFETY DATA OPERATION INSTRUCTIONS AND LASER SAFETY

The light source emitted from this product can potentially cause eye injury if not set up and used properly. The light source emitted from a laser is very different from any other light sources with which you may be aware of. Laser light is thousands of times more concentrated than any light from any other kind of light source. This concentration of light can cause instant eye injuries, primarily by burning the retina (the back of your eyeball containing cells that are sensitive to light). Even if you cannot feel "heat" from a laser beam, it can still potentially injure or blind you or your audience. Even very small amounts of laser beam light are potentially hazardous even at long distances. Laser eye injuries can be sustained faster than you can blink.

LASER WARNINGS AND SAFETY (continued)

Do not think that because this laser splits the laser beam into hundreds of beams and that the laser beam is scanned out in high speed, that an individual laser beam is safe for eye exposure. This laser uses dozens of milliwatts of laser power (Class 3B levels internally) before it splits into multiple beams (Class 3R levels). Many of the individual beams are potentially hazardous to the eyes.

Do not think that because the laser light is moving, it is safe. This is not true. Nor, do the laser beams always move. Since eye injuries can occur instantly, it is critical to prevent even the smallest possibility of any direct eye exposure. In the laser safety regulation, it is not legal to aim Class 3R lasers in areas which people can get exposed. This is true even if it is aimed below people's faces, such as on a dance floor.

Do not operate the laser without first reading and understanding all safety and technical data in this manual.

Always set up and install all laser effects so that all laser light is at least 3 meters (9.8 feet) above the floor on which people can stand.

After setting up, and before public use, test laser to ensure proper function. Do not use if any defect is detected. Do not use if laser emits only one or two laser beams rather than dozens/hundreds, as this could indicate damage to the diffraction grating optic, and could allow emission of higher laser levels above Class 3R.

Do not point lasers at people or animals. Never look into the laser aperture or laser beams.

Do not point lasers in areas in which people can potentially get exposed, such as uncontrolled balconies, etc.

Do not point lasers at highly reflective surfaces, such as windows, mirrors and shiny metal. Even laser reflections can be hazardous.

Never point a laser at aircraft, this is a federal offense.

Never point un-terminated laser beams into the sky.

Do not expose the output optic (aperture) to cleaning chemicals.

Do not use laser if the laser appears to be emitting only one or two beams.

Do not use the laser if the housing is damaged, the housing is open, or if the optics appear damaged in any way.

Never open the laser housing. The high laser power levels inside of the protective housing can start fires, burn skin and will cause instant eye injury.

Never leave this device running unattended.

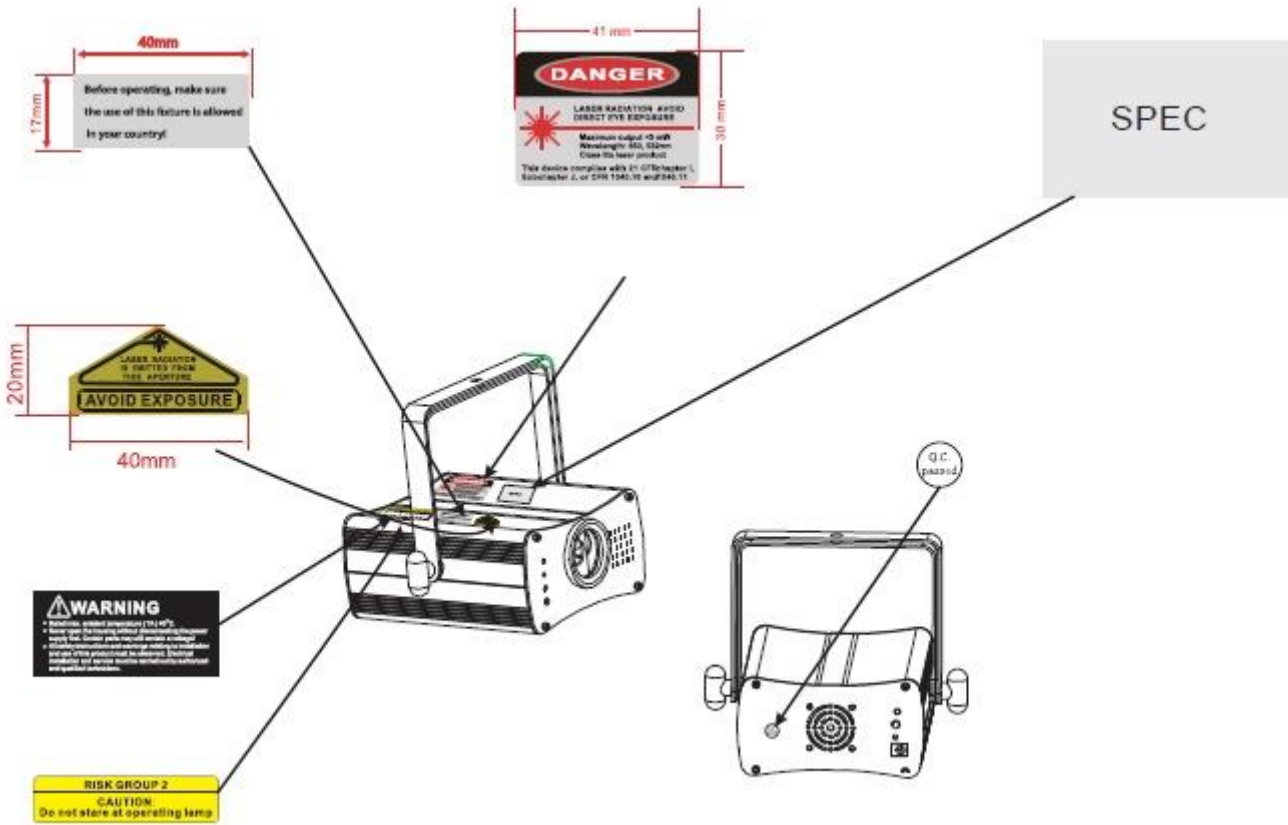
The operation of a class 3R laser show is only allowed if the show is controlled by a skilled and well-trained operator, familiar with the data included in this manual.

The legal requirements for using laser entertainment products vary from country to country. The user is responsible for the legal requirements at the location/country of use.

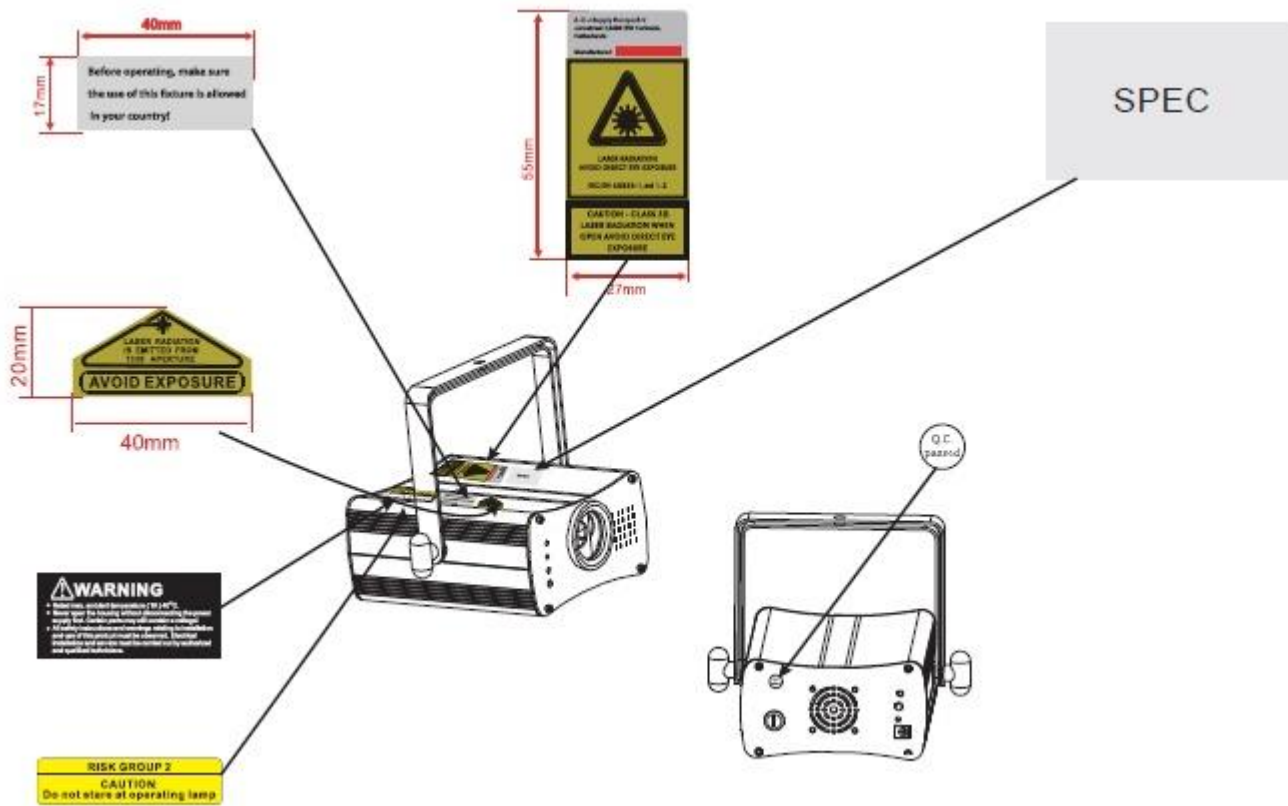
Always use proper lighting safety cables when hanging lights and effects overhead.

LASER WARNING LABELS

American Version

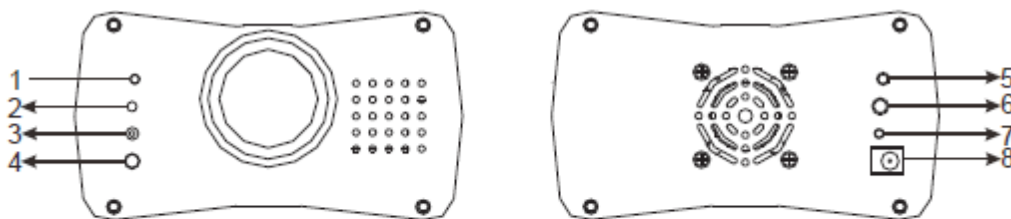


European Version

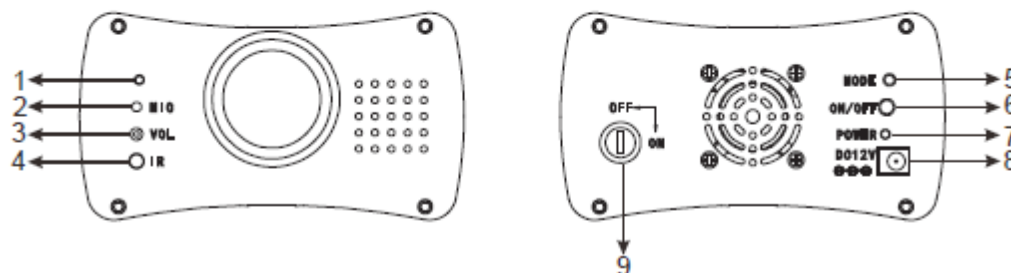


OVERVIEW

American Version



European Version



1. Status LED - This LED Indicates which operating mode is active.
2. Mic - This mic picks up the beat of the music in sound active mode.
3. Mic Sensitivity - Use a small screwdriver to adjust the sound sensitivity.
4. IR Sensor - Receives the signal from the included UC Laser IR.
5. Mode Button - Press this button to switch operating modes.
6. ON/OFF Button - Press this button to switch the power ON and OFF.
7. Power LED - Indicates that power is activated.
8. DC12V Input - DC Power Socket for included power adapter.
9. Key Laser On/Off - This key is used to turn on and off the laser diode. (European Version only)

OPERATION

CAUTION IMPORTANT! When installing this projector, make sure that it is mounted in a manner that prevents the audience from looking directly into the beam, and the beam from striking the audience.

Operating Modes: The Ani-Motion has 2 operating modes; sound active mode and auto mode.

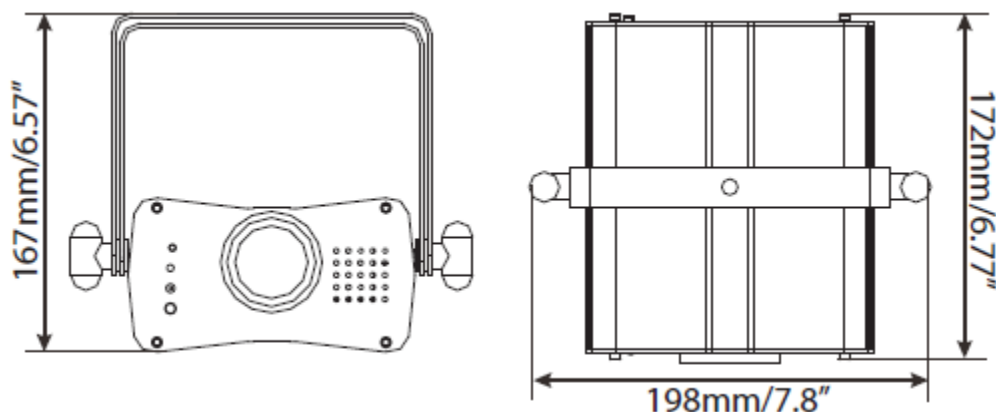
Sound Active Mode: This mode allows the unit to run to the beat of the music.

1. Press the Mode button until the status LED located on the front of unit turns off. You are in sound active mode if the status LED on the front of the unit flashes at every beat or sound.

Auto Mode: There are two auto modes to choose from; slow auto mode or fast auto mode.

1. To run fast auto mode, press the Mode button until the status LED located on the front of unit starts to flash quickly. This indicates fast auto mode.

2. To run slow auto mode, press the Mode button until the status LED located on the front of unit starts to flash slowly. This indicates slow auto mode.



UC LASER IR CONTROL

The **UC Laser IR** infrared remote gives you control of various functions (See below). To control the fixture you must aim the remote at the front of the fixture and be no more than 30 feet away.

The **Airstream IR (sold separately)** remote transmitter plugs into the headphone jack of your iOS phone or tablet. To control your IR fixture you must raise the volume to the maximum on your iOS phone or tablet and aim the transmitter at the fixture sensor and be no more than 15 feet away. After you have purchased the Airstream IR transmitters, the app is a free download from the app store for your iOS phone or tablet. The app comes with 3 pages of control depending on the fixture you are using. Please see below for IR functions. This unit works with App page 3.

STAND BY - Pressing this button will blackout the fixture.

PATTERN - Press this button for random show.

PATTERN "+" / PATTERN "-" - Use these buttons to select a show.

SPEED - Press this button to select show speed.

SPEED + - Press this button to speed up the show speed.

SPEED - - Press this button to slow down the show speed.

COLOR BUTTONS - Press the color buttons R, G, or R+G to select your desired color(s). Buttons B, G+B, B+R, and R+G+B are invalid for this fixture.

STROBE - This button will activate the strobe effect. Press the button once and hold for strobing. Release the button to stop strobing.

SOUND - Press this button to activate sound active mode

AUTO FAST - Press this button to activate fast auto mode.

AUTO SLOW - Press this button to activate slow auto mode.

CLEANING

Fixture Cleaning: Due to fog residue, smoke, and dust cleaning the internal and external lenses should be carried out periodically to optimize light output.

1. Use normal glass cleaner and a soft cloth to wipe down the outside casing.
2. Clean the external optics with a microfiber cloth every 20 days.
3. Always be sure to dry all parts completely before plugging the unit back in.

Cleaning frequency depends on the environment in which the fixture operates (I.e. smoke, fog residue, dust, dew). In heavy use we recommend cleaning on a monthly basis. Periodic cleaning will ensure longevity, and crisp beam output.

TROUBLE SHOOTING

Trouble Shooting: Listed below are a few common problems that you may encounter, with solutions.

No laser output from the unit;

1. Be sure you have connected your unit into a standard wall outlet.
2. Be sure that the unit is not in blackout mode.
3. In cold temperature situations it might take the laser a little longer to produce output. It can take up to 3-5 minutes for the laser to produce a beam. This is due to the laser diode which is very sensitive.

Unit does not respond to sound;

1. Low frequencies (bass) should cause the unit to react to sound.
Tapping on the microphone, quiet or high pitched sounds may not activate the unit.

SPECIFICATIONS

MODEL:	Ani-Motion
Voltage:	100~250V, 50/60Hz
Power Consumption	20W
Lasers:	30mW Green Diode 80mW Red Diode
Dimensions:	6.75"(L) x 7.75"(W) x 6.5"(H) 172mm x 198mm x 167mm
Colors:	Red & Green
Weight:	2.6 Lbs. / 1.2 kgs.
Duty Cycle:	None
Sound Active:	Yes
Working Position:	Any Safe, Secure Position

Auto Sensing Voltage: This fixture contains a automatic voltage switch, which will auto sense the voltage when it is plugged into the power source.

Please Note: Specifications and improvements in the design of this unit and this manual are subject to change without any prior written notice.

ROHS - A great Contribution to the Conservation of Environment

Dear Customer,

The European Union has adopted a directive on the restriction / prohibition of the use of hazardous substances. This directive, referred to as ROHS, is a frequently discussed topic in the electronic industry.

It restricts, among other things, six materials: Lead (Pb), Mercury (Hg), hexavalent chromium (CR VI), cadmium (Cd), polybrominated biphenyls as flame retardant (PBB), polybrominated diphenyl, also a flame retardant (PBDE). The directive applies to nearly all electronic and electrical devices whose mode of operation involves electric or electromagnetic fields – in short: each kind of electronics we have around us in our households or at work.

As manufacturers of products of the brands of AMERICAN AUDIO, AMERICAN DJ, ELATION Professional and ACCLAIM Lighting, we are obligated to comply with the RoHS directive. Therefore, as early as two years prior to the directive coming into force, we started our search for alternative environmentally friendly materials and manufacturing processes.

Well before the RoHS directive took effect, all of our products were manufactured meeting the standards of the European Union. With regular audits and material tests we can still assure that the components we use are always RoHS-compliant and that the manufacturing process, as far as the state of technology allows, is environmentally friendly.

The ROHS directive is an important step to the protection of our environment. We, as manufactures, feel obligated to make our contribution in this respect.

WEEE – Waste of Electrical and Electronic Equipment

Every year thousands of tonnes of electronic components, which are harmful to the environment, end up at the waste disposals around the world. To ensure the best possible disposal or recovery of electronic components, the European Union has adopted the WEEE directive.

The WEEE-system (Waste of Electrical and Electronic Equipment) can be compared with the system of the “Green Spot”, which has been in use for several years. The manufactures have to make their contribution to the utilization of waste at the time they release the product. Money resources obtained by doing so will be applied to develop a common system of waste management. Thereby we can ensure professional and environmentally friendly scraping and recycling program.

As manufactures, we are part of the German system of EAR and we make our contribution towards it.

(Registration in Germany: DE41027552)

That means that products of AMERICAN DJ and AMERICAN AUDIO can be left in the collection points free of charge and they will be used in the recycling program. Products of ELATION Professional, which are used only by professionals, shall be handled by us. Please send Elation products directly to us at the end of their lifetime so that we can professionally dispose of them.

Like the above ROHS, the WEEE directive is an important contribution to the environment protection and we are glad to help to clean the environment with this disposal system.

We are happy to answer any of your inquiries and welcome your suggestions at: info@americandj.eu

A.D.J. Supply Europe B.V.
Junostraat 2
6468 EW Kerkrade
The Netherlands
www.americandj.eu