



# ELEMENT ST HEX



## *User Instructions*

USA# ELE457  
EU# 1226100379  
UPC# 818651027853  
ITF-14# 10818651027850



©2020 ADJ Products, LLC all rights reserved. Information, specifications, diagrams, images, and instructions herein are subject to change without notice. ADJ Products, LLC logo and identifying product names and numbers herein are trademarks of ADJ Products, LLC. Copyright protection claimed includes all forms and matters of copyrightable materials and information now allowed by statutory or judicial law or hereinafter granted. Product names used in this document may be trademarks or registered trademarks of their respective companies and are hereby acknowledged. All non-ADJ Products, LLC brands and product names are trademarks or registered trademarks of their respective companies.

**ADJ Products, LLC** and all affiliated companies hereby disclaim any and all liabilities for property, equipment, building, and electrical damages, injuries to any persons, and direct or indirect economic loss associated with the use or reliance of any information contained within this document, and/or as a result of the improper, unsafe, insufficient and negligent assembly, installation, rigging, and operation of this product.

#### **FCC STATEMENT**

This device complies with Part 15 of the FCC Rules. Operation is subject to the following two conditions: (1) this device may not cause harmful interference, and (2) this device must accept any interference received, including interference that may cause undesired operation.

#### **FCC RADIO FREQUENCY INTERFERENCE WARNINGS & INSTRUCTIONS**

This product has been tested and found to comply with the limits as per Part 15 of the FCC Rules. These limits are designed to provide reasonable protection against harmful interference in a residential installation. This device uses and can radiate radio frequency energy and, if not installed and used in accordance with the included instructions, may cause harmful interference to radio communications. However, there is no guarantee that interference will not occur in a particular installation. If this device does cause harmful interference to radio or television reception, which can be determined by turning the device off and on, the user is encouraged to try to correct the interference by one or more of the following methods:

- Reorient or relocate the device.
- Increase the separation between the device and the receiver.
- Connect the device to an electrical outlet on a circuit different from which the radio receiver is connected.
- Consult the dealer or an experienced radio/TV technician for help.

## **DOCUMENT VERSION**

Due to additional product features and/or enhancements, an updated version of this document may be available online.

Please check [www.adj.com](http://www.adj.com) for the latest revision/update of this manual before beginning installation and/or programming.

Date	Document Version	Software Version $\geq$	DMX Channel Mode	Notes
02/05/20	1	1.00	6/7/8/11/12	Initial Version

#### Europe Energy Saving Notice

Energy Saving Matters (EuP 2009/125/EC)

Saving electric energy is a key to help protecting the environment. Please turn off all electrical products when they are not in use. To avoid power consumption in idle mode, disconnect all electrical equipment from power when not in use. Thank you!

Introduction	3
Features   Warranty Registration   Installation	4
Safety Guidelines	5
Battery Precautions	7
Battery Status & Charging	8
Overview	9
Installation	10
DMX Addressing	11
DMX Modes	12
Color Macro Chart	14
System Menu	15
WiFly Set Up   WiFly Master-Slave Set Up	18
UC IR & Airstream Control	19
Dimmer Curve Chart	20
Dimensional Drawings   Tilt Adjustment Angles	21
Trouble Shooting   Cleaning	22
Limited Warranty (USA Only)	23
Technical Specifications	24

**Unpacking:** Thank you for purchasing the Element ST Hex by ADJ Products, LLC. Every Element ST Hex has been thoroughly tested and has been shipped in perfect operating condition. Carefully check the shipping carton for damage that may have occurred during shipping. If the carton appears to be damaged, carefully inspect your fixture for any damage and be sure all accessories necessary to operate the unit has arrived intact. In the case damage has been found or parts are missing, please contact our toll free customer support number for further instructions. Do not return this unit to your dealer without first contacting customer support.

**Introduction:** The Element ST Hex is a rechargeable lithium battery powered, DMX intelligent, LED par fixture with ADJ's WiFly TransCeiver with wireless DMX built-in. WiFly control and battery power gives you the freedom to set up your unit where ever you wish without the restrictions of power or DMX cabling. This unit can be used in a stand alone mode or connected in a Master/Slave set up. To optimize the performance of this product, please read these operating instructions carefully to familiarize yourself with the basic operations of this unit. These instructions contain important safety information regarding the use and maintenance of this unit. Please keep this manual with the unit, for future reference.

**Customer Support:** Contact ADJ Service for any product related service and support needs. Also visit [forums.adj.com](http://forums.adj.com) with questions, comments or suggestions.

**Parts:** To purchase parts online visit <http://parts.americandj.com>

**ADJ SERVICE USA - Monday - Friday 8:00am to 4:30pm PST**

**Voice: 800-322-6337 | Fax: 323-582-2941 | [support@adj.com](mailto:support@adj.com)**

**ADJ SERVICE EUROPE - Monday - Friday 08:30 to 17:00 CET**

**Voice: +31 45 546 85 60 | Fax: +31 45 546 85 96 | [support@adj.eu](mailto:support@adj.eu)**

#### **ADJ PRODUCTS LLC USA**

6122 S. Eastern Ave. Los Angeles, CA. 90040

323-582-2650 | Fax 323-532-2941 | [www.adj.com](http://www.adj.com) | [info@adj.com](mailto:info@adj.com)

#### **ADJ SUPPLY Europe B.V**

Junostraat 2 6468 EW Kerkrade, The Netherlands

+31 (0)45 546 85 00 | Fax +31 45 546 85 99

[www.adj.eu](http://www.adj.eu) | [info@adj.eu](mailto:info@adj.eu)

#### **ADJ PRODUCTS GROUP Mexico**

AV Santa Ana 30 Parque Industrial Lerma, Lerma, Mexico 52000

+52 (728) 282-7070

**Warning!** To prevent or reduce the risk of electrical shock or fire, do not expose this unit to rain or moisture.

**Caution!** There are no user serviceable parts inside this unit. Do not attempt any repairs yourself, doing so will void your manufactures warranty. In the unlikely event your unit may require service please contact ADJ Products, LLC.

***PLEASE recycle the shipping carton when ever possible.***

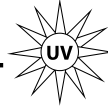
- Multiple Operating Modes
- Electronic Dimming 0-100%
- RGBWA+UV Color Mixing
- 5 Selectable Dimming Curves
- 63 Color Macros
- Built in Microphone
- Multiple DMX Channel Modes
- Battery Powered with Rechargeable Lithium Battery
- Built-In ADJ's WiFly Transceiver Wireless DMX
- ADJ UC IR & Airstream IR compatible

**Included Accessories:**

- 1 x 12.6V/2A DC Power Adapter
- 1 x UC IR Remote Control
- 1 x Airstream IR Transmitter

The Element ST Hex carries a 2 year limited warranty. Please fill out the enclosed warranty card to validate your purchase. All returned service items whether under warranty or not, must be freight pre-paid and accompany a return authorization (R.A.) number. The R.A. number must be clearly written on the outside of the return package. A brief description of the problem as well as the R.A. number must also be written down on a piece of paper included in the shipping carton. If the unit is under warranty, you must provide a copy of your proof of purchase invoice. You may obtain a R.A. number by contacting our customer support team on our customer support number. All packages returned to the service department not displaying a R.A. number on the outside of the package will be returned to the shipper.

- To reduce the risk of electrical shock or fire, do not expose this unit rain or moisture
- Do not attempt to operate this unit if the power cord has been frayed or broken. Do not attempt to remove or break off the ground prong from the electrical cord. This prong is used to reduce the risk of electrical shock and fire in case of an internal short.
- Disconnect from main power before making any type of connection.
- Do not remove the cover under any conditions. There are no user serviceable parts inside.
- Never operate this unit when it's housing is removed.
- Never plug this unit in to a dimmer pack
- Always be sure to mount this unit in an area that will allow proper ventilation. Allow about 6" (15cm) between this device and a wall.
- Do not attempt to operate this unit, if it becomes damaged.
- During long periods of non-use, disconnect the unit's main power.
- Always mount this unit in safe and stable matter.
- Power supply cords should be routed so that they are not likely to be walked on or pinched by items placed upon or against them, paying particular attention to the point they exit from the unit.
- Cleaning -The fixture should be cleaned only as recommended by the manufacturer. See page 22 for cleaning details.
- Heat -The appliance should be situated away from heat sources such as radiators, heat registers, stoves, or other appliances (including amplifiers) that produce heat.
- The fixture should be serviced by qualified service personnel when:
  - A. The power-supply cord or the plug has been damaged.
  - B. The appliance does not appear to operate normally or exhibits a marked change in performance.
  - C. The fixture has fallen and/or subjected to extreme handling.

**! CAUTION****HIGH  
INTENSITY  
ULTRAVIOLET  
LIGHT****AVOID DIRECT EYE & SKIN EXPOSURE.  
WEAR PROPER EYE & SKIN PROTECTION.  
SEE MANUAL FOR SAFETY INSTRUCTIONS.****RISK GROUP 3 - RISK OF EXPOSURE TO ULTRAVIOLET (UV) RADIATION!****FIXTURE EMITS HIGH INTENSITY ULTRAVIOLET (UV) LIGHT FROM THE UV LED.****WEAR PROPER EYE AND SKIN PROTECTION.****AVOID PROLONGED PERIODS OF EXPOSURE TO THE UV LED.****AVOID WEARING WHITE COLOR CLOTHING AND/OR USING (UV) PAINTS ON SKIN.****AVOID DIRECT EYE AND/OR SKIN EXPOSURE AT DISTANCES SHORTER THAN 11 feet (3.3m).****DO NOT OPERATE FIXTURE WITH DAMAGED OR MISSING EXTERNAL COVER.****DO NOT LOOK DIRECTLY INTO THE (UV) LIGHT AND/OR VIEW (UV) LIGHT DIRECTLY WITH OPTICAL INSTRUMENTS THAT MAY CONCENTRATE THE LIGHT/RADIATION OUTPUT.****INDIVIDUALS SUFFERING FROM A RANGE OF EYE CONDITIONS, SUNLIGHT EXPOSURE DISORDERS, OR INDIVIDUALS USING PHOTSENSITIVE MEDICATION, MAY RECEIVE DISCOMFORT IF EXPOSED TO THE ULTRAVIOLET (UV) LIGHT EMITTED FROM THIS FIXTURE.**

## **1. Handling of Batteries**

### **1.1 Do Not Short Circuit the Battery**

Try to never short circuit the battery. It generates a very high current which could cause the battery to overheat which may result in electrolyte gel leakage, harmful fumes, or explosion. The LIR tabs may easily short-circuit by placing them on conductive surface. A short circuit may lead to heat build up and damage of the battery. An appropriate circuitry with PCM is employed to protect accidental short circuit of the battery pack.

### **1.2 Mechanical shock**

Dropping the unit, impact hit, bending, etc. may cause failure or shortend life of the LIR battery.

## **3. Other**

### **3.1 Battery connection**

- 1). Direct soldering of wire leads or devices to the battery is strictly prohibited.
- 2). Lead tabs with pre-soldered wiring shall be spot welded to the batteries. Direct soldering may cause damage of components, such as separator and insulator, by heat build up.

### **3.2 Prevention of short circuit within a battery pack**

There is enough insulation layers between wiring and the batteries to provide extra safety protection. The battery pack is constructed in a way that no short circuit will occur which may cause smoke or fire.

### **3.3 Do No Disassemble the Batteries**

- 1). Never disassemble the batteries.  
Doing this may cause a internal short circuit in the battery, which may lead to harmful fumes, fire, explosion, or other problems.
- 2). Electrolyte Gel is harmful  
Electrolyte Gel should not leak from the LIR battery. Should the electrolyte gel come into contact with the skin or eyes, flush the area of contact immediately with fresh water and seek medical attention immediately.

### **3.4 Do Not Expose the Battery to Heat or Fire**

Never incinerate or dispose of the batteries in fire. This may cause an explosion, which would be very dangerous.

### **3.5 Do Not Expose the Battery to water or liquids**

Never soak/drop the batteries in liquids such as water, seawater, drinks such as soft drinks, juices, coffee or other.

### **3.6 Battery Replacement**

For battery replacement please contact ADJ customer support (800) 322-6337.

### **3.7 Do Not use a damaged Battery**

The battery could be damaged during shipping, caused by shock. Should the battery be found damaged, including damages to the plastic casing of the battery, deformation of the battery package, smelling of an electrolyte, or leakage of the electrolyte gel, or other, DO NOT use the battery. A battery with a odor of electrolyte or a gel leakage should be placed away from fire to avoid fire or explosion.



#### 4. Battery Storage

When storing the battery, it should be stored at room temperature, with a charge of at least 50%. We recommend that during long periods of storage that the battery be charged every 6 months. Doing this will prolong the life of the battery and will also make sure that the battery charge does not fall below the 30% mark.

#### 5. Other Chemical Reaction

Because batteries utilize a chemical reaction, battery performance will deteriorate over time even if stored for a long period of time without being used. In addition, if the various usage conditions such as charge, discharge, ambient temperature, etc. are not maintained within the specified ranges, the life expectancy of the battery maybe shortened or the device in which the battery is used may be damaged by electrolyte gel leakage. If the batteries cannot maintain a charge for long periods of time, even when they are charged correctly, this may indicate it is time to change the battery.

#### 6. Battery Disposal

Please dispose of battery according to local regulations.

#### ***Battery Status:***

This function is used to check the battery life status.

1. Plug the fixture in and press the **BATTERY** icon.
2. Press the **UP** or **DOWN** buttons to highlight **CURRENT LIFE** and press **ENTER**. The number that is displayed is the remaining battery life.

***Never let the battery fully die, this severely shortens the life of the battery.***

#### ***Battery Charging:***

This function is used to check the battery charging status.

1. Plug the fixture in and press the **BATTERY** icon.
2. Press the **UP** or **DOWN** buttons to highlight **CHARGING TIME** and press **ENTER**. The number that is displayed is the remaining battery life.

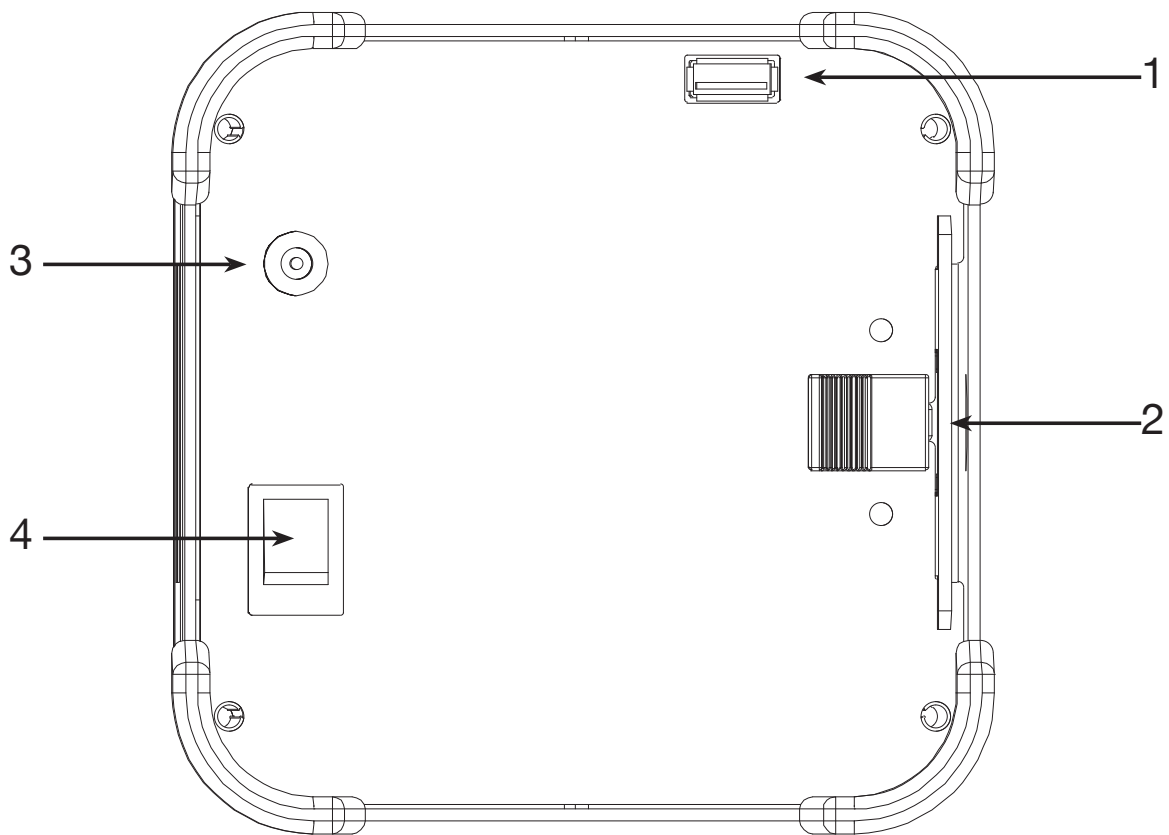
To recharge the battery, plug the supplied power adapter into the input located on the bottom of the unit and plug the other end into a matching power source. **TO CHARGE THE BATTERY, THE POWER SWITCH MUST BE IN THE "ON" POSITION.** It takes about 5 hours to reach full charge.

**NOTE: CHARGING TIME** will display "-----" when:

- The power adapter is **NOT** connected.
- The **POWER SWITCH** is "ON" but the **LOAD** setting is set to "OFF".
- The power adapter is connected but the **POWER SWITCH** is "OFF".

***Note: When unplugging the unit from charging and then applying power via battery, there will be a minimal charge drop.***

For faster charging, turn the **POWER SWITCH "ON"** and the **LOAD** setting to "OFF".



- 1. Service Port:** This port is used for software updates.
- 2. Tilt Adjustment Leg:** This tilt adjustment leg is used to angle the unit to various degrees. There are 7 different angled levels. See page 21 for more information.  
**NOTE:** Sliding the adjustment leg out to far will cause the leg to “dislodge” from the unit.
- 3. Voltage Adapter Input:** This input is used to connect the included voltage adapter. After connecting the adapter, plug the other end into a matching power source.  
**NOTE:** Please only use the provided power adapter that is included with the unit.
- 4. Power On/Off Switch:** This switch is used to power ON/OFF the unit.

**NOTICE:** The suitable environmental temperature for this lighting fixture is between -25° C to 45° C. Do not place this lighting fixture in an environment where the temperatures are under or above the temperatures stated above. This will allow the fixture to run at its best and help prolong the fixture life.

The Element ST Hex is fully operational in three different mounting positions; set on a flat level surface (ideal set up), hanging upside-down, or mounted sideways on trussing. Be sure this fixture is kept at least 12m (40ft) away from any flammable materials (decoration etc.). Always use and install a safety cable as a safety measure to prevent accidental damage and/or injury in the event the clamp fails. Never use the carrying handle for a secondary attachment.



**Clamp Mounting Hole**



**Attach a clamp to the unit by screwing the clamp in clockwise.**



This unit is primarily designed for uplighting. The unit does come with a threaded mounting hole for use with clamp installation. Screw one clamp via a M10 screw into the insert located on the rear of the unit.

All fixtures should be given a DMX starting address when using a DMX controller, so the correct fixture responds to the correct control signal. This digital starting address is the channel number from which the fixture starts to “listen” to the digital control signal sent out from the DMX controller. The assignment of this starting DMX address is achieved by setting the correct DMX address on the digital control display on the fixture.

You can set the same starting address for all fixtures or a group of fixtures, or set different addresses for each individual fixture. Setting all fixtures to the same DMX address will cause all fixtures to react in the same way, in other words, changing the settings of one channel will affect all the fixtures simultaneously.

If you set each fixture to a different DMX address, each unit will start to “listen” to the channel number you have set, based on the quantity of DMX channels of each fixture. That means changing the settings of one channel will only affect the selected fixture.

In the case of the Element ST Hex, when in 6 channel mode you should set the starting DMX address of the first unit to 1, the second unit to 7 (6 + 1), the third unit to 13 (7 + 6), and so on. (See chart below for more details.)

Channel Mode	Unit 1 Address	Unit 2 Address	Unit 3 Address	Unit 4 Address
6 channels	1	7	13	19
7 channels	1	8	15	22
8 channels	1	9	17	25
11 channels	1	12	23	34
12 channels	1	13	25	37

ADJ ELEMENT ST HEX DMX Channel Values & Functions Supports Software Version $\geq 1.00$ <small>Feature subject to change without notice</small>						
6 CH	7 CH	8 CH	11 CH	12 CH	VALUES	FUNCTIONS
1	1	1	1	1	000-255	<b>RED</b> 0~100%
2	2	2	2	2	000-255	<b>GREEN</b> 0~100%
3	3	3	3	3	000-255	<b>BLUE</b> 0~100%
4	4	4	4	4	000-255	<b>WHITE</b> 0~100%
5	5	5	5	5	000-255	<b>AMBER</b> 0~100%
6	6	6	6	6	000-255	<b>UV</b> 0~100%
	7	7	7	7	000-255	<b>MASTER DIMMER</b> 0~100%
						<b>STROBING</b>
					000-031	LED OFF
					032-063	LED ON
					064-095	STROBING SLOW-FAST
					096-127	LED ON
					128-159	PULSE STROBING SLOW-FAST
					160-191	LED ON
					192-223	RANDOM STROBING SLOW-FAST
					224-255	LED ON
						<b>PROGRAM SELECTION MODE</b>
					000-051	RGBWA+UV DIMMING MODE
					052-102	COLOR MACRO MODE
					103-153	COLOR CHANGE MODE
					154-204	COLOR FADE MODE
					205-255	SOUND ACTIVE MODE

6 CH	7 CH	8 CH	11 CH	12 CH	VALUES	FUNCTIONS
						<b>PROGRAMS</b>
					000-255	<b>COLOR MACRO MODE</b> PLEASE SEE THE COLOR MACRO CHART ON PAGE 14
						<b>COLOR CHANGE MODE</b>
					000-015	COLOR CHANGE 1
					016-031	COLOR CHANGE 2
					032-047	COLOR CHANGE 3
					048-063	COLOR CHANGE 4
					064-079	COLOR CHANGE 5
					080-095	COLOR CHANGE 6
					096-111	COLOR CHANGE 7
					112-127	COLOR CHANGE 8
					128-143	COLOR CHANGE 9
					144-159	COLOR CHANGE 10
					160-175	COLOR CHANGE 11
					176-191	COLOR CHANGE 12
					192-207	COLOR CHANGE 13
					208-223	COLOR CHANGE 14
					224-239	COLOR CHANGE 15
					240-255	COLOR CHANGE 16
						<b>COLOR FADE MODE</b>
					000-015	COLOR FADE 1
					016-031	COLOR FADE 2
					032-047	COLOR FADE 3
					048-063	COLOR FADE 4
			10	10	064-079	COLOR FADE 5
					080-095	COLOR FADE 6
					096-111	COLOR FADE 7
					112-127	COLOR FADE 8
					128-143	COLOR FADE 9
					144-159	COLOR FADE 10
					160-175	COLOR FADE 11
					176-191	COLOR FADE 12
					192-207	COLOR FADE 13
					208-223	COLOR FADE 14
					224-239	COLOR FADE 15
					240-255	COLOR FADE 16
						<b>SOUND ACTIVE MODE</b>
					000-015	SOUND ACTIVE MODE 1
					016-031	SOUND ACTIVE MODE 2
					032-047	SOUND ACTIVE MODE 3
					048-063	SOUND ACTIVE MODE 4
					064-079	SOUND ACTIVE MODE 5
					080-095	SOUND ACTIVE MODE 6
					096-111	SOUND ACTIVE MODE 7
					112-127	SOUND ACTIVE MODE 8
					128-143	SOUND ACTIVE MODE 9
					144-159	SOUND ACTIVE MODE 10
					160-175	SOUND ACTIVE MODE 11
					176-191	SOUND ACTIVE MODE 12
					192-207	SOUND ACTIVE MODE 13
					208-223	SOUND ACTIVE MODE 14
					224-239	SOUND ACTIVE MODE 15
					240-255	SOUND ACTIVE MODE 16

6 CH	7 CH	8 CH	11 CH	12 CH	VALUES	FUNCTIONS
			11	11	000-255 000-255	<b>PROGRAM SPEED/SOUND SENSITIVITY</b> PROGRAM SPEED SLOW-FAST LEAST SENSITIVE-MOST SENSITIVE
				12	000-020 021-040 041-060 061-080 081-100 101-255	<b>DIMMER CURVES</b> STANDARD STAGE TV ARCHITECTURAL THEATRE DEFAULT TO UNIT SETTING

**NOTES:**

When Channel 9 is between the values of 0-51, Channels 1-6 are used, and Channel 8 will control strobing.

When Channel 9 is between the values of 52-102, Channel 10 is in Color Macros Mode, and Channel 8 will control strobing.

When Channel 9 is between the values of 103-153, Channel 10 is in Color Change Mode, and Channel 11 will control the color change speed.

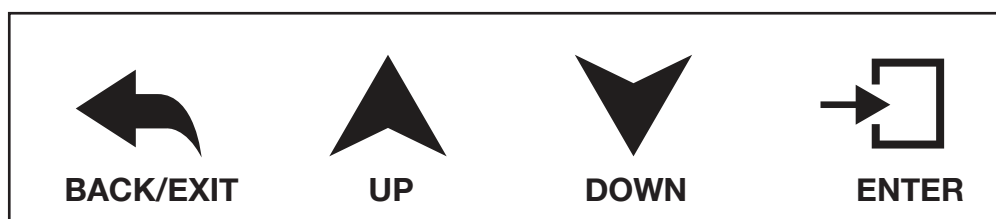
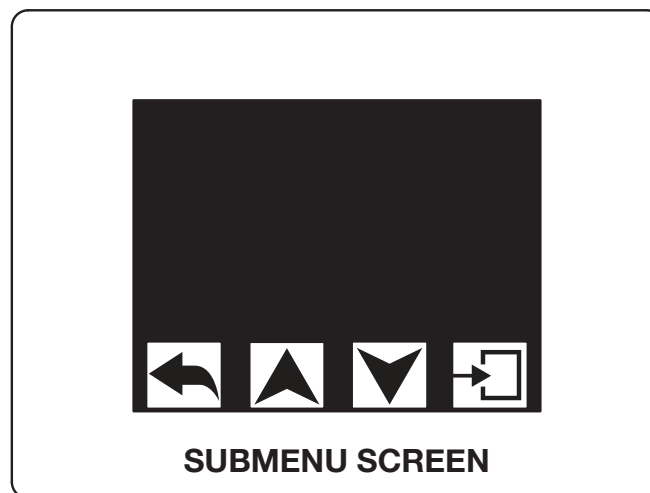
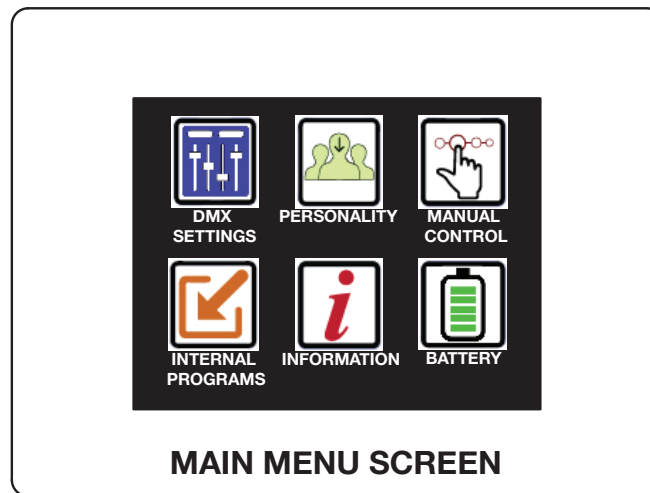
When Channel 9 is between the values of 154-204, Channel 10 is in Color Fade Mode, and Channel 11 will control the color fade speed.

When Channel 9 is between the values of 205-255, Channel 10 is in Sound Active Mode, and Channel 11 will control the sound sensitivity.







0-3=Off	64-67=B+W	128-131=G+B+W	192-195=R+B+W+A
4-7=Red	68-71=B+A	132-135=G+B+A	196-199=R+B+W+UV
8-11=Green	72-75=B+UV	136-139=G+B+UV	200-203=R+B+A+UV
12-15=Blue	76-79=W+A	140-143=G+W+A	204-207=R+W+A+UV
16-19=White	80-83=W+UV	144-147=G+W+UV	208-211=G+B+W+A
20-23=Amber	84-87=A+UV	148-151=G+A+UV	212-215=G+B+W+UV
24-27=UV	88-91=R+G+B	152-155=B+W+A	216-219=G+B+A+UV
28-31=R+G	92-95=R+G+W	156-159=B+W+UV	220-223=G+W+A+UV
32-35=R+B	96-99=R+G+A	160-163=B+A+UV	224-227=B+W+A+UV
36-39=R+W	100-103=R+G+UV	164-167=W+A+UV	228-231=R+G+B+W+A
40-43=R+A	104-107=R+B+W	168-171=R+G+B+W	232-235=R+G+B+W+UV
44-47=R+UV	108-111=R+B+A	172-175=R+G+B+A	236-239=R+G+B+A+UV
48-51=G+B	112-115=R+B+UV	176-179=R+G+B+UV	240-243=R+G+W+A+UV
52-55=G+W	116-119=R+W+A	180-183=R+G+W+A	244-247=R+B+W+A=UV
56-59=G+A	120-123=R+W+UV	184-187=R+G+W+UV	248-251=G+B+W+A+UV
60-63=G+UV	124-127=R+A+UV	188-191=R+G+A+UV	252-255=R+G+B+W+A+UV

### SYSTEM MENU

This fixture includes a system menu with an easy to navigate touch screen control panel where all necessary settings and adjustments are made. When first powering on the fixture, the fixture’s main menu will be displayed. On the main menu, press the menu you would like to access. In the next menu screen, you can navigate through the different sub-menus with the **UP** and **DOWN** buttons. When you reach a sub-menu that you would like to enter press the **ENTER** button. When you reach a sub-menu or field that requires adjusting, press the **ENTER** button to access that field and use the **UP** or **DOWN** buttons to adjust the field. Pressing the **ENTER** button once more to confirm your setting. You may exit the main menu at any time without making any adjustments by pressing the **BACK/EXIT** button.





MENU	SUBMENU	OPTIONS	DESCRIPTION
 DMX SETTINGS	DMX Address	001-XXX	DMX Addressing
	DMX Channel Mode	6ch / 7ch / 8ch / 11ch / 12ch	DMX Channel Mode Selection
	No DMX Status	Hold Last / Blackout / Manual Settings / Internal Programs	DMX Lost Status
 PERSONALITY	Master	ON / OFF	Master Setting
	Slave	ON / OFF	Slave Setting
	Dim Modes	Standard/Stage/TV/Architectural/Theatre/Stage2 Dim Speed: 00 (No Delay), 1s ~ 99s	Dimming Curve Modes Dimming Delay Speed
	WiFly Settings	Set WiFly Channel: 00~14	Set WiFly Wireless Channel
		Enable WiFly: YES / NO	Activate WiFly
		Disable WiFly: YES / NO	Deactivate WiFly
	Display	WiFly On with Power: YES / NO	WiFly Active with Power
		Screen Saver Delay: OFF, 1~10S	Display Blackout Time
		Touch Screen Lock: OFF / 1~30S / 1 Minute	Display Control Lock
	Language	Rotate Display 180°: YES / NO	Display Inversion
Passcode = 050		English / Spanish	Displayed Language
Service	Passcode = 011	Factory Restore: YES / NO	Restore Factory Settings
		USB Port Power: YES / NO	USB/Service Port Activation
 MANUAL CONTROL	Red	000-255	Manual Control
	Green	000-255	
	Blue	000-255	
	White	000-255	
	Amber	000-255	
	UV	000-255	
	Color Macros	000-255	
	Strobe	000-255	
	Master Dimmer	000-255	
 INTERNAL PROGRAMS	Program 0	Speed: 01~16 / Fade: 00~16 / Sound: ON / OFF	Program 0 with Adjustments
	Program 1	Speed: 01~16 / Fade: 00~16 / Sound: ON / OFF	Program 1 with Adjustments
	Program 2	Speed: 01~16 / Fade: 00~16 / Sound: ON / OFF	Program 2 with Adjustments
	Program 3	Speed: 01~16 / Fade: 00~16 / Sound: ON / OFF	Program 3 with Adjustments
	Program 4	Speed: 01~16 / Fade: 00~16 / Sound: ON / OFF	Program 4 with Adjustments
	Program 5	Speed: 01~16 / Fade: 00~16 / Sound: ON / OFF	Program 5 with Adjustments
	Program 6	Speed: 01~16 / Fade: 00~16 / Sound: ON / OFF	Program 6 with Adjustments
	Program 7	Speed: 01~16 / Fade: 00~16 / Sound: ON / OFF	Program 7 with Adjustments
	Program 8	Speed: 01~16 / Fade: 00~16 / Sound: ON / OFF	Program 8 with Adjustments
	Program 9	Speed: 01~16 / Fade: 00~16 / Sound: ON / OFF	Program 9 with Adjustments
	Program 10	Speed: 01~16 / Fade: 00~16 / Sound: ON / OFF	Program 10 with Adjustments
	Program 11	Speed: 01~16 / Fade: 00~16 / Sound: ON / OFF	Program 11 with Adjustments
	Program 12	Speed: 01~16 / Fade: 00~16 / Sound: ON / OFF	Program 12 with Adjustments
	Program 13	Speed: 01~16 / Fade: 00~16 / Sound: ON / OFF	Program 13 with Adjustments
	Program 14	Speed: 01~16 / Fade: 00~16 / Sound: ON / OFF	Program 14 with Adjustments
	Program 15	Speed: 01~16 / Fade: 00~16 / Sound: ON / OFF	Program 15 with Adjustments
 INFORMATION	LED Temperature	XXX °C / XXX °F	Current LED Temperature
	Software Version	X.XX	Current Software Version
 BATTERY	Charging Time	X.Xhours	Current Charge Time
	Current Life	XXX%	Current Battery Life
	Operation Mode	Standard 4 / Saver 6 / Saver 8	Current Battery Mode
	Load Switch	ON / OFF	Activate/Deactivate Output

**DMX SETTINGS** - The submenus listed under **DMX SETTINGS** are as follows: **DMX Address**, **DMX Channel Mode**, and **No DMX Status**.

- **DMX ADDRESS MODE** - In this submenu you are able to find and set your desired DMX address.
- **DMX CHANNEL MODE** - In this submenu you are able to find and set your desired DMX channel mode.
- **NO DMX STATUS** - This setting is used as a precaution mode in case the DMX signal is lost or interrupted. The operating mode chosen is the running mode the fixture will go into when the DMX signal is lost. Listed below are the 4 modes.
  - **HOLD LAST** - This setting will have the fixture stay in the last DMX setup.
  - **BLACKOUT** - This setting will have the fixture automatically go into blackout mode.
  - **MANUAL SETTINGS** - This setting will have the fixture automatically revert to your manual settings.
  - **INTERNAL PROGRAM** - This setting will have the fixture automatically run 1 of 15 (0-15) internal programs.

**PERSONALITY** - The submenus listed under **PERSONALITY** are as follows: **Master**, **Slave**, **Dim Modes**, **WiFly Settings**, **Display**, **Language**, and **Service**.

- **MASTER** - Set the unit to act as the Master unit in a master-slave set up.
- **SLAVE** - Set the unit to act as a slave unit in a master-slave set up.
- **DIM MODES** - In this submenu you are able to set your desired dimmer mode or adjust and set your desired dimming speed.
- **DISPLAY** - In this submenu you are able to set your display blackout time, touch screen lock time, and invert the display.
- **LANGUAGE** - In this submenu you are able to select your desired display language.
- **SERVICE** - In this submenu you are able to reset the unit to its factory/default settings.

**MANUAL CONTROL** - This submenu is for manual control and testing.

**INTERNAL PROGRAMS** - This menu allows you to select 1 of 15 (0-15) internal programs to run. The internal program speed and fade speeds are adjustable. The internal programs can also be run as sound active.

**INFORMATION** - The submenus listed under **INFORMATION** are as follows: **LED Temperature and Software Version**.

- **LED TEMPERATURE** - This submenu allows you to check the current LED temperature.
- **SOFTWARE VERSION** - This submenu allows you to check the current software version.

**BATTERY** - The submenus listed under **BATTERY** are as follows: *Charging Time*, *Current Life*, *Operation Mode*, and *Load Mode*.

- **CHARGING TIME** - This submenu is used when charging the unit. It allows you to check the status of the charging time.
- **CURRENT LIFE** - This submenu allows you to check the battery life.
- **OPERATION MODE** - In this submenu you are able to select and set your desired energy saving mode.
- **LOAD MODE** - In this submenu you are able to activate/deactivate the LED PCB output.  
**NOTE: This function needs to be activated when using battery power or AC power. For faster charging switch this setting to “OFF”.**

This unit can only be controlled using **WiFly**. Your DMX controller must be connected to a **ADJ WiFly Transceiver** to use this function. You are able to communicate up to 2500 feet/760 meters (open line of sight).

1. Follow the system menu diagram on page 16 to set the **WiFly** address and to activate **WiFly**. The address must match the address set on the **WiFly Transceiver**.
2. After you have set the **WiFly** address, follow the system menu diagram on page 16 to select your desired DMX Channel mode and set your DMX address.
3. Apply power to the **WiFly Transceiver**. The fixture must be set up first before you apply power to **WiFly Transceiver**.
4. If everything is set up properly and the fixture is receiving a Wireless signal, you should now be able to control it with a DMX controller.

#### **WiFly Master-Slave Set Up:**

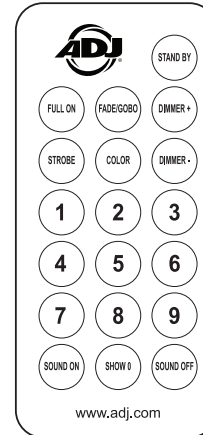
This function will allow you to link units together via WiFly to run in a Master-Slave setup.

1. Follow the system menu diagram on page 16 to set the **WiFly** address and to activate **WiFly**. The addresses on each fixture must be the same.
2. After you have set the **WiFly** address, select your “**MASTER**” unit. Activate the “**MASTER**” setting by following the system menu diagram on page 16.
3. Set the “**MASTER**” unit to your desired mode of operation. On the “**SLAVE**” unit(s) follow the system menu diagram on page 16 to activate the “**SLAVE**” setting.
4. If everything is set up correctly, the “**SLAVE**” unit(s) will start following the “**MASTER**” unit.

The **UC IR** infrared remote gives you control of various functions (See below). To control the fixture you must aim the remote at the front of the fixture and be no more than 30 feet away.

The **Airstream IR** remote transmitter plugs into the headphone jack of your iOS phone or tablet. To control your IR fixture you must raise the volume to the maximum on your iOS phone or tablet and aim the transmitter at the fixture sensor and be no more than 15 feet away. After you have purchased the Airstream IR transmitters, the app is a free download from the app store for your iOS phone or tablet. The app comes with 3 pages of control depending on the fixture you are using. Please see below for the IR functions including the corresponding app page.

		Stand by
Full ON	Fade/Gobo	
Strobe	Color	
1	2	3
4	5	6
7	8	9
SoundOn	Show 0	SoundOff



### Works with App page 1.

**STAND BY** - Pressing this button will blackout the fixture. Press the button again to return to the initial state.

**FULL ON** - Press this button to fully light up the unit.

**FADE/GOBO** - This button can activate the internal programs. Use the numeral buttons 1-9 to select the program number. Use the dimmer buttons to adjust the output intensity. **Note:** Running speed is not adjustable using the IR control functions.

**Example:** Press the numeral buttons “1+3” to run program “13”.

**“DIMMER +” and “DIMMER -”** - Use these buttons to adjust the output intensity.

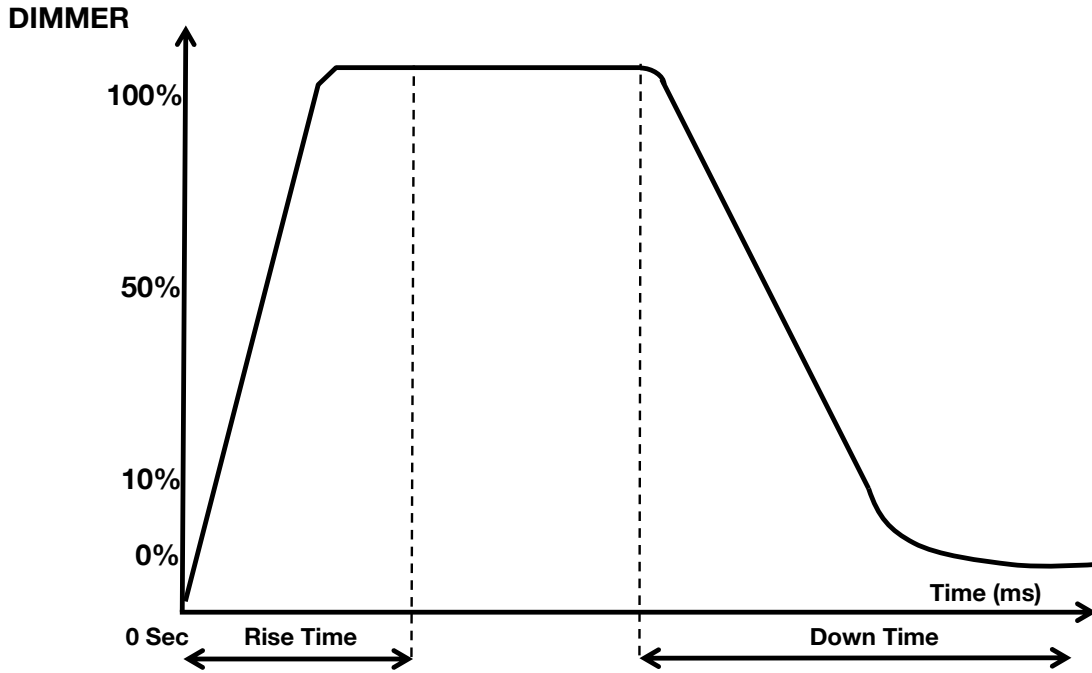
**STROBE** - Press this button to activate strobing. Use buttons 1-4 to adjust the strobe speed. “1” being the slowest, “4” being the fastest.

**COLOR** - Press this button to activate color macro mode. Use the numeral buttons 1-9 or a combination of two numbers to select your desired color. **Example:** Press the numeral buttons “1+3” to select color macro “13”.

**Numeral Buttons 1-9** - Use buttons 1-9 to select your desired color in color macro mode or internal program in internal program mode.

**SOUND ON & OFF** - Use the buttons to activate and deactivate sound active mode.

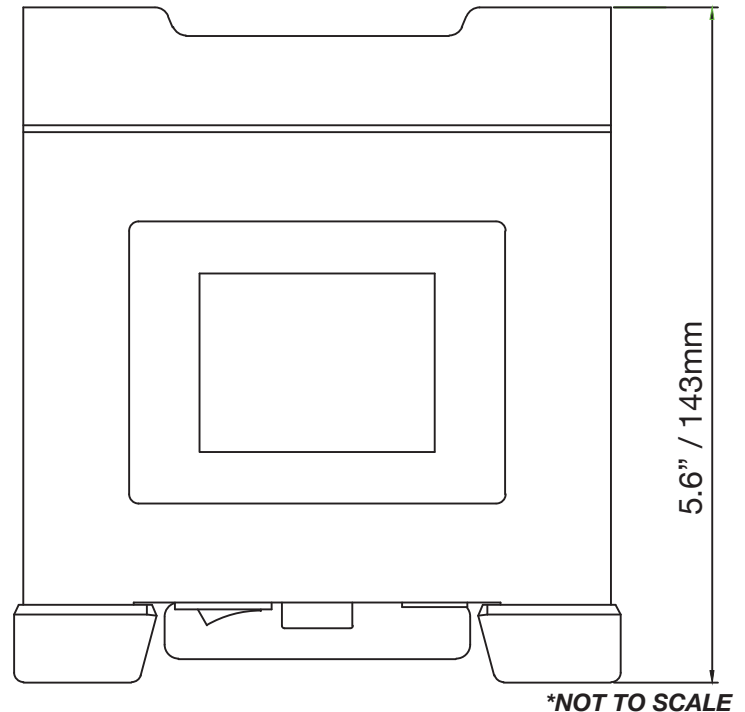
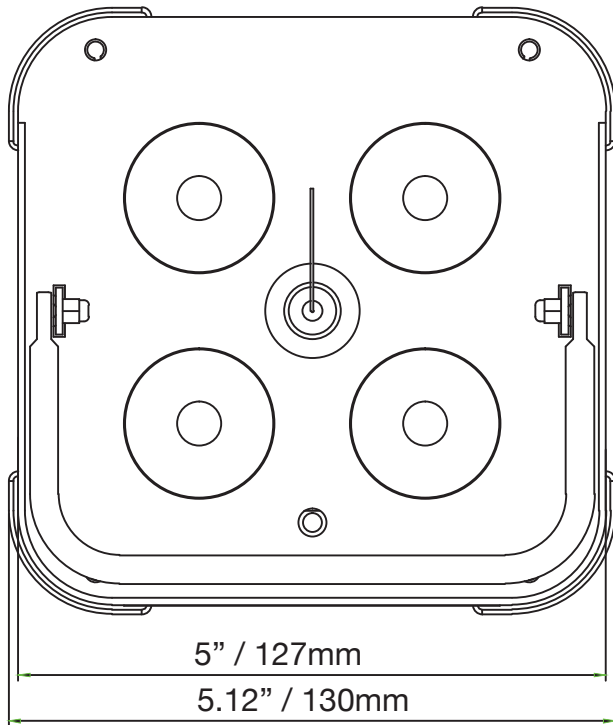
**SHOW 0** - This button is used with the numeral buttons to select your desired color in color macro mode or program in internal program mode.



Dimming Curve Ramp Effect	0 sec Fade Time		1 sec Fade Time	
	Rise Time (ms)	Down Time (ms)	Rise Time (ms)	Down Time (ms)
Standard (default)	0	0	0	0
Stage	780	1100	1540	1660
TV	1180	1520	1860	1940
Architectural	1380	1730	2040	2120
Theatre	1580	1940	2230	2280
Stage 2	0	1100	0	1660

## Element ST Hex

## Dimensional Drawing

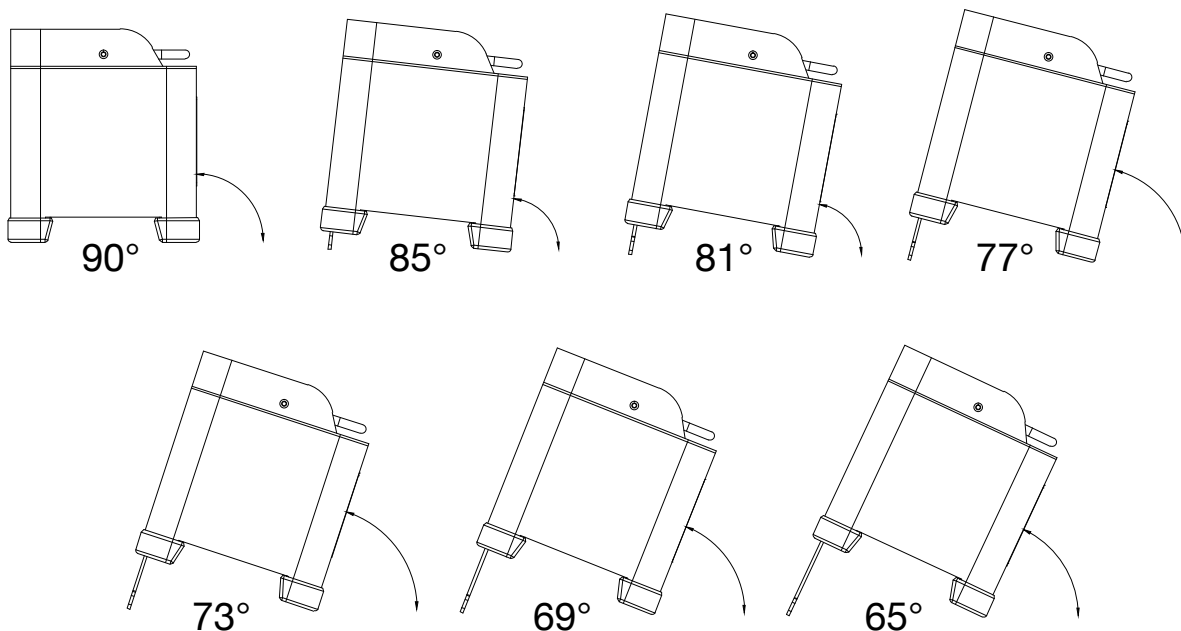


## Element ST Hex

## Tilt Adjustment Angles

To use the tilt adjustment leg, locate the release button on the bottom of the unit. While sliding the button back and holding it, carefully slide out the tilt adjustment leg from the base of the unit. After you have found your desired adjustment level, release the button to lock the leg into place. Make sure the leg is securely locked into place before setting the unit in its intended location. There are 7 levels of adjustment to select from. See the diagram below to find the desired angle you would like the unit to sit at.

**NOTE: Do not slide the leg out past the last setting (seventh level), due to the fact the leg could dislodge from the unit.**



Listed below are a few common problems the user may encounter, with solutions.

***Unit not responding to DMX:***

1. Make sure that the WiFly is enabled.
2. Check the setting under “**WiFly On with Power**”.
3. Make sure that the Element ST Hex Wireless Address matches the address set on the wireless transceiver.

***Unit does not respond to sound:***

1. Make sure that Sound Active mode is activated under Internal Programs. Sound activity will only work with Internal Program mode.
2. Quiet or high pitched sounds will not activate the unit.

Due to fog residue, smoke, and dust cleaning the internal and external optical lenses must be carried out periodically to optimize light output.

1. Use normal glass cleaner and a soft cloth to wipe down the outside casing.
2. Clean the external optics with glass cleaner and a soft cloth every 20 days.
3. Always be sure to dry all parts completely before plugging the unit back in.

Cleaning frequency depends on the environment in which the fixture operates (i.e. smoke, fog residue, dust, dew).

**MANUFACTURER'S LIMITED WARRANTY**

- A. ADJ Products, LLC hereby warrants, to the original purchaser, ADJ Products, LLC products to be free of manufacturing defects in material and workmanship for a prescribed period from the date of purchase (see specific warranty period on reverse). This warranty shall be valid only if the product is purchased within the United States of America, including possessions and territories. It is the owner's responsibility to establish the date and place of purchase by acceptable evidence, at the time service is sought.
- B. For warranty service you must obtain a Return Authorization number (RA#) before sending back the product—please contact ADJ Products, LLC Service Department at 800-322-6337. Send the product only to the ADJ Products, LLC factory. All shipping charges must be pre-paid. If the requested repairs or service (including parts replacement) are within the terms of this warranty, ADJ Products, LLC will pay return shipping charges only to a designated point within the United States. If the entire instrument is sent, it must be shipped in its original package. No accessories should be shipped with the product. If any accessories are shipped with the product, ADJ Products, LLC shall have no liability whatsoever for loss of or damage to any such accessories, nor for the safe return thereof.
- C. This warranty is void if the serial number has been altered or removed; if the product is modified in any manner which ADJ Products, LLC concludes, after inspection, affects the reliability of the product; if the product has been repaired or serviced by anyone other than the ADJ Products, LLC factory unless prior written authorization was issued to purchaser by ADJ Products, LLC; if the product is damaged because not properly maintained as set forth in the instruction manual.
- D. This is not a service contract, and this warranty does not include maintenance, cleaning or periodic check up. During the period specified above, ADJ Products, LLC will replace defective parts at its expense with new or refurbished parts, and will absorb all expenses for warranty service and repair labor by reason of defects in material or workmanship. The sole responsibility of ADJ Products, LLC under this warranty shall be limited to the repair of the product, or replacement thereof, including parts, at the sole discretion of ADJ Products, LLC. All products covered by this warranty were manufactured after August 15, 2012, and bear indentifying marks to that effect.
- E. ADJ Products, LLC reserves the right to make changes in design and/or improvements upon its products without any obligation to include these changes in any products theretofore manufactured.

No warranty, whether expressed or implied, is given or made with respect to any accessory supplied with products described above. Except to the extent prohibited by applicable law, all implied warranties made by ADJ Products, LLC in connection with this product, including warranties of merchantability or fitness, are limited in duration to the warranty period set forth above. And no warranties, whether expressed or implied, including warranties of merchantability or fitness, shall apply to this product after said period has expired. The consumer's and/or Dealer's sole remedy shall be such repair or replacement as is expressly provided above; and under no circumstances shall ADJ Products, LLC be liable for any loss or damage, direct or consequential, arising out of the use of, or inability to use, this product.

This warranty is the only written warranty applicable to ADJ Products, LLC Products and supersedes all prior warranties and written descriptions of warranty terms and conditions heretofore published.

**MANUFACTURER'S LIMITED WARRANTY PERIODS:**

- **Non L.E.D. Lighting Products = 1-year (365 days) Limited Warranty** (Such as: Special Effect Lighting, Intelligent Lighting, UV lighting, Strobes, Fog Machines, Bubble Machines, Mirror Balls, Par Cans, Trussing, Lighting Stands etc. excluding LED and lamps)
- **Laser Products = 1 Year (365 Days) Limited Warranty** (excluding laser diodes which have a 6 month limited warranty)
- **L.E.D. Products = 2-year (730 days) Limited Warranty** (excluding batteries which have a 180 day limited warranty).  
**Note: 2 Year Warranty only applies to purchases within the United States.**
- **StarTec Series = 1 Year Limited Warranty** (excluding batteries which have a 180 day limited warranty).
- **ADJ DMX Controllers = 2 Year (730 Days) Limited Warranty**



<b>Model:</b>	<b>Element ST Hex</b>
<b>Voltage:</b>	100V ~ 240V/50~60Hz 1.5A MAX. (Input)
<b>Power Adapter:</b>	12.6V/2A (Output)
<b>LEDs:</b>	4 x 6W Hex LEDs (RGBWA+UV 6-in-1)
<b>Working Position:</b>	Any safe working position
<b>Power Draw:</b>	29W
<b>Wavelength:</b>	395~435nm
<b>Weight:</b>	4lbs./ 1.8 Kgs.
<b>Dimensions:</b>	5.12" (L) x 5.12" (W) x 5.6" (H) 130 x 130 x 143mm
<b>Colors:</b>	RGBWA+UV
<b>DMX Channels:</b>	5 DMX Modes: 6 Channel Mode 7 Channel Mode, 8 Channel Mode, 11 Channel Mode, & 12 Channel Mode
<b>Battery Charge Time:</b>	5 Hours (With POWER ON and LOAD OFF) 7.5 Hours ((With POWER ON and LOAD ON)*
<b>Battery Life:</b>	<b>FULL CHARGE, SINGLE COLOR:</b> 15 Hours (Standard 4) 20 Hours ( Saver 6) 25 Hours (Saver 8) <b>FULL CHARGE, INTERNAL PROGRAM:</b> 9 Hours (Standard 4, Saver 6, Saver 8) <b>FULL CHARGE, FULL ON:</b> 4 Hours (Standard 4) 6 Hours ( Saver 6) 8 Hours (Saver 8)
<b>Battery Lifetime:</b>	Average Lifetime is 500 Charges**
<b>Battery Type:</b>	Fixed Lithium Battery
<b>Battery Energy:</b>	73.26WH (Watt Hours)
<b>Battery Weight:</b>	1 lb. / 0.42kg
<b>Battery Voltage:</b>	11.1V
<b>Battery Capacity:</b>	6.6AH
<b>Total Lithium Ion Cells:</b>	9pcs
<b>Battery Wrap Material:</b>	PVC Sleeving + Highland Barley Paper
<b>Warranty:</b>	2 Year (730 days) Limited Warranty***

\* With Single Color ON

\*\* This depends on charging frequency

\*\*\*See Warranty page for more details

**Please Note:** Specifications and improvements in the design of this unit and this manual are subject to change without any prior written notice.