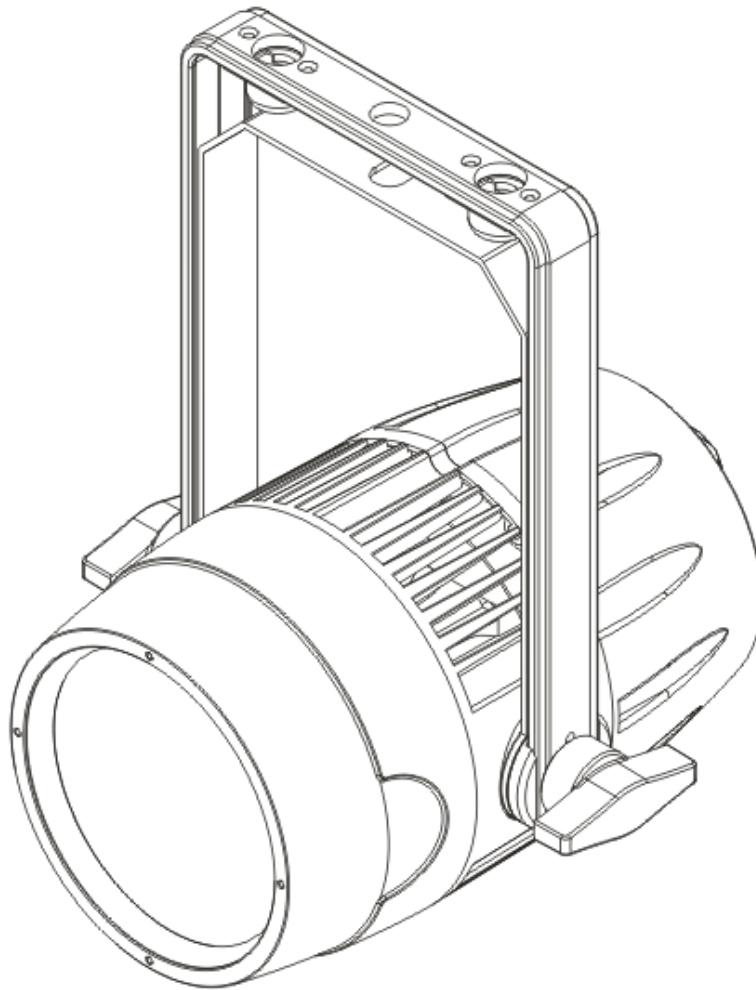




ENCORE BURST 100 IP



User Instructions



©2019 ADJ Products, LLC all rights reserved. Information, specifications, diagrams, images, and instructions herein are subject to change without notice. ADJ Products, LLC logo and identifying product names and numbers herein are trademarks of ADJ Products, LLC. Copyright protection claimed includes all forms and matters of copyrightable materials and information now allowed by statutory or judicial law or hereinafter granted. Product names used in this document may be trademarks or registered trademarks of their respective companies and are hereby acknowledged. All non-ADJ Products, LLC brands and product names are trademarks or registered trademarks of their respective companies.

ADJ Products, LLC and all affiliated companies hereby disclaim any and all liabilities for property, equipment, building, and electrical damages, injuries to any persons, and direct or indirect economic loss associated with the use or reliance of any information contained within this document, and/or as a result of the improper, unsafe, insufficient and negligent assembly, installation, rigging, and operation of this product.

FCC STATEMENT

This device complies with Part 15 of the FCC Rules. Operation is subject to the following two conditions: (1) this device may not cause harmful interference, and (2) this device must accept any interference received, including interference that may cause undesired operation.

FCC RADIO FREQUENCY INTERFERENCE WARNINGS & INSTRUCTIONS

This product has been tested and found to comply with the limits as per Part 15 of the FCC Rules. These limits are designed to provide reasonable protection against harmful interference in a residential installation. This device uses and can radiate radio frequency energy and, if not installed and used in accordance with the included instructions, may cause harmful interference to radio communications. However, there is no guarantee that interference will not occur in a particular installation. If this device does cause harmful interference to radio or television reception, which can be determined by turning the device off and on, the user is encouraged to try to correct the interference by one or more of the following methods:

- Reorient or relocate the device.
- Increase the separation between the device and the receiver.
- Connect the device to an electrical outlet on a circuit different from which the radio receiver is connected.
- Consult the dealer or an experienced radio/TV technician for help.

DOCUMENT VERSION

Due to additional product features and/or enhancements, an updated version of this document may be available online.

Please check www.adj.com for the latest revision/update of this manual before beginning installation and/or programming.

Date	Document Version	Software Version ≥	DMX Channel Modes	Notes
02/21/19	1	1.1	1/2/3/4	Initial Release

Europe Energy Saving Notice

Energy Saving Matters (EuP 2009/125/EC)

Saving electric energy is a key to help protecting the environment. Please turn off all electrical products when they are not in use. To avoid power consumption in idle mode, disconnect all electrical equipment from power when not in use. Thank you!

Introduction	3
Features Warranty Registration	4
Safety Guidelines	5
IP Notice	6
Installation	7
Overview	8
DMX Set Up	9
DMX Addressing	10
DMX Modes	11
System Menu	12
Operating Instructions	13
Multiple Unit Power Linking Dimmer Mode Chart	18
Dimensional Drawing Trouble Shooting Cleaning	19
Limited Warranty (USA Only)	20
Specifications	21

Unpacking: Thank you for purchasing the Encore Burst 100 IP by ADJ Products, LLC. Every Encore Burst 100 IP has been thoroughly tested and has been shipped in perfect operating condition. Carefully check the shipping carton for damage that may have occurred during shipping. If the carton appears to be damaged, carefully inspect your fixture for any damage and be sure all accessories necessary to operate the unit has arrived intact. In the case damage has been found or parts are missing, please contact our toll free customer support number for further instructions. Do not return this unit to your dealer without first contacting customer support.

Introduction: The ADJ Encore Burst 100 IP is a DMX intelligent, high powered LED fixture. To optimize the performance of this product, please read these operating instructions carefully to familiarize yourself with the basic operations of this unit. These instructions contain important safety information regarding the use and maintenance of this unit. Please keep this manual with the unit, for future reference.

Customer Support: Contact ADJ Service for any product related service and support needs. Also visit forums.adj.com with questions, comments or suggestions.

Parts: To purchase parts online visit <http://parts.americandj.com>

ADJ SERVICE USA - Monday - Friday 8:00am to 4:30pm PST

Voice: 800-322-6337 | Fax: 323-582-2941 | support@adj.com

ADJ SERVICE EUROPE - Monday - Friday 08:30 to 17:00 CET

Voice: +31 45 546 85 60 | Fax: +31 45 546 85 96 | support@adj.eu

ADJ PRODUCTS LLC USA

6122 S. Eastern Ave. Los Angeles, CA. 90040

323-582-2650 | Fax 323-532-2941 | www.adj.com | info@adj.com

ADJ SUPPLY Europe B.V

Junostraat 2 6468 EW Kerkrade, The Netherlands

+31 (0)45 546 85 00 | Fax +31 45 546 85 99

www.adj.eu | info@americandj.eu

ADJ PRODUCTS GROUP Mexico

AV Santa Ana 30 Parque Industrial Lerma, Lerma, Mexico 52000

+52 (728) 282-7070

Caution! There are no user serviceable parts inside this unit. Do not attempt any repairs yourself, doing so will void your manufactures warranty. In the unlikely event your unit may require service please contact ADJ Products, LLC.

PLEASE recycle the shipping carton when ever possible.

- Electronic Dimming 0-100%
- DMX-512 protocol
- 4 DMX Modes 1/2/3/4
- IP65 Locking 5-Pin XLR Connector In/Out
- Frequency Adjustment
- Gamma Adjustment
- Tungsten Effect
- 6 Dimmer Curves With Dimmer Adjustment Speed
- Multiple Unit Power Linking (See page 18)

Included:

1 x IP65 Locking Power Cable

The Encore Burst 100 IP carries a 2 year limited warranty. Please fill out the enclosed warranty card to validate your purchase. All returned service items whether under warranty or not, must be freight pre-paid and accompany a return authorization (R.A.) number. The R.A. number must be clearly written on the outside of the return package. A brief description of the problem as well as the R.A. number must also be written down on a piece of paper included in the shipping carton. If the unit is under warranty, you must provide a copy of your proof of purchase invoice. You may obtain a R.A. number by contacting our customer support team on our customer support number. All packages returned to the service department not displaying a R.A. number on the outside of the package will be returned to the shipper.

For Your Own Personal Safety, Please Read and Understand This Manual Completely Before You Attempt To Install Or Operate This Unit!

- To reduce the risk of electrical shock or fire, do not expose this unit rain or moisture
- Do not spill water or other liquids into or on to your unit.
- Be sure that the local power outlet match that of the required voltage for your unit.
- Do not attempt to operate this unit if the power cord has been frayed or broken.
- Do not attempt to remove or break off the ground prong from the electrical cord. This prong is used to reduce the risk of electrical shock and fire in case of an internal short.
- Disconnect from main power before making any type of connection.
- Do not remove the cover under any conditions. There are no user serviceable parts inside.
- Never operate this unit when it's cover is removed.
- Always be sure to mount this unit in an area that will allow proper ventilation. Allow about 6" (15cm) between this device and a wall.
- Do not attempt to operate this unit, if it becomes damaged.
- This unit is intended for indoor use only, use of this product outdoors voids all warranties.
- Always mount this unit in safe and stable matter.
- Power-supply cords should be routed so that they are not likely to be walked on or pinched by items placed upon or against them, paying particular attention to cords at plugs, convenience receptacles, and the point where they exit from the appliance.
- Cleaning -The fixture should be cleaned only as recommended by the manufacturer. See page 23 for cleaning details.
- Heat -This fixture should be situated away from heat sources such as radiators, heat registers, stoves, or other appliances (including amplifiers) that produce heat.
- The fixture should be serviced by qualified service personnel when:
 - A. Objects have fallen, or liquid has been spilled into the appliance.
 - B. The appliance has been exposed to rain or water.
 - C. The appliance does not appear to operate normally or exhibits a marked change in performance.

IP65 RATED

An IP rated lighting fixture is one, which is commonly installed in outdoor environments and has been designed with an enclosure that effectively protects the ingress (entry) of external foreign objects such as dust and water. The International Protection (IP) rating system is commonly expressed as "IP" (Ingress Protection) followed by two numbers (i.e. IP65) where the numbers define the degree of protection. The first digit (Foreign Bodies Protection) indicates the extent of protection against particles entering the fixture and the second digit (Water Protection) indicates the extent of protection against water entering the fixture. An IP65 rated lighting fixture is one, which has been designed and tested to protect against the ingress of dust (6) and high-pressure water jets from any direction (5).

MARINE/COASTAL ENVIRONMENT INSTALLATIONS

NOT suitable for marine and/or coastal environment installations. Installing this fixture in a marine and/or coastal environment may cause corrosion and/or excessive wear to the interior and/or exterior components of the fixture. Damages and/or performance issues resulting from installation in a marine and/or coastal environment will void the manufactures warranty and will NOT be subject to any warranty claims and/or repairs.

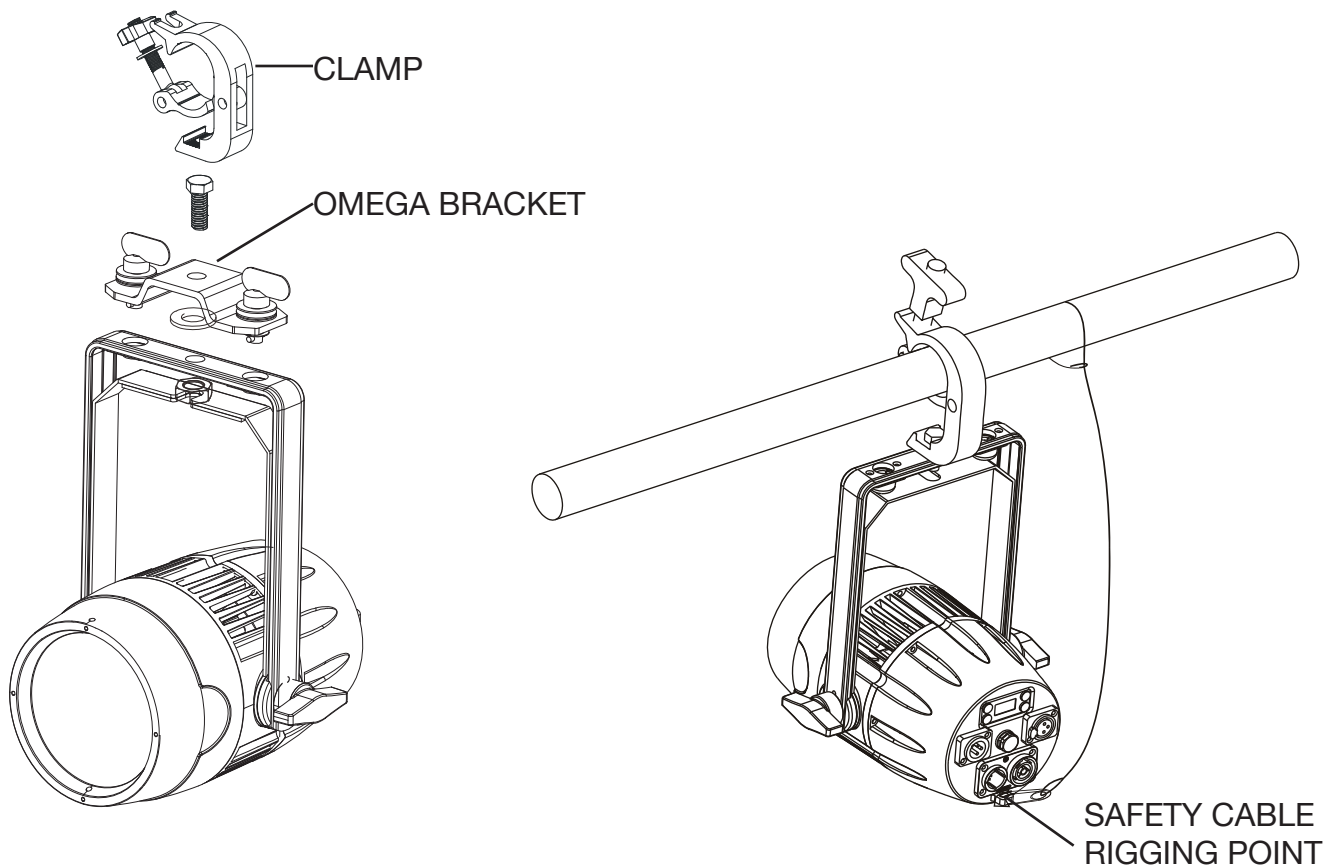
Always ensure that the unit is firmly fixed to avoid vibration and slipping while operating. Always ensure that the structure to which you are attaching the unit is secure and is able to support a weight of 10 times the unit's weight. **ALWAYS** use safety cables that can hold 12 times the weight of the unit when installing the fixture.

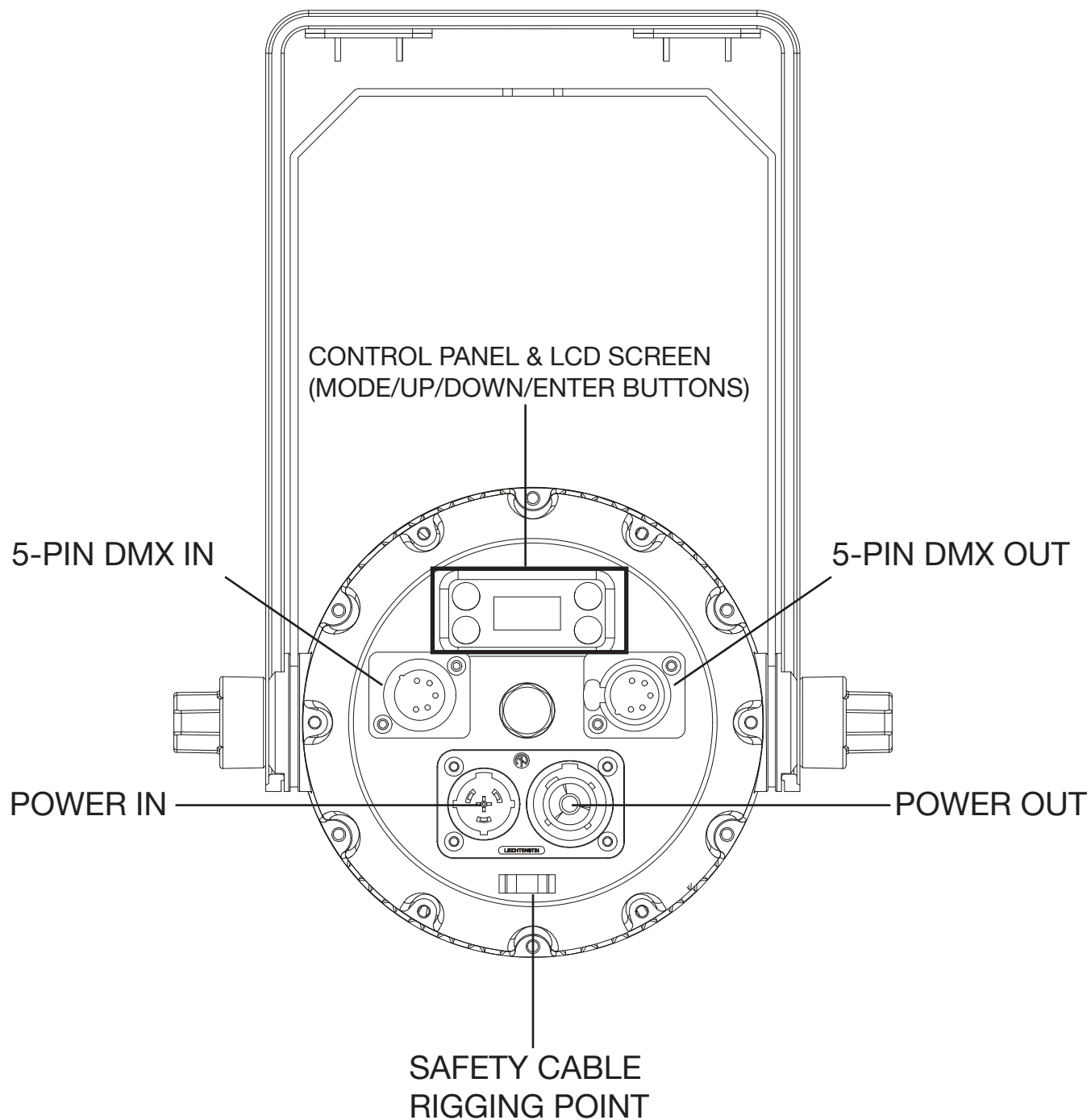
This equipment must be installed by a professional, and it must be installed in a place where it is out of the reach of people's grasp.

Ensure ALL connections and end caps are properly sealed with a non-conductive dielectric grease (available at most electrical suppliers) to prevent water ingress/condensation and/or corrosion.

The Encore Burst 100 IP is fully operational in three different mounting positions; hanging upside-down, mounted sideways on trussing, or set on a flat level surface. Be sure this fixture is kept at least 12m (40ft) away from any flammable materials (decoration etc.).

Screw one clamp via a M12 screw and nut into the Omega bracket. Insert the quick-lock fasteners of the Omega bracket into the respective holes of the adjustable mounting bracket. Tighten the quick-lock fasteners fully clockwise. Pull the safety-cable through the opening located on the rear of the unit and over the trussing system or a safe fixation spot. Insert the end in the carabine and tighten the safety screw. **ALWAYS** use and install the supplied safety cable as a safety measure to prevent accidental damage and/or injury in the event the clamp fails.





DMX-512: DMX is short for Digital Multiplex. This is a universal protocol used as a form of communication between intelligent fixtures and controllers. A DMX controller sends DMX data instructions from the controller to the fixture. DMX data is sent as serial data that travels from fixture to fixture via the DATA “IN” and DATA “OUT” XLR terminals located on all DMX fixtures (most controllers only have a DATA “OUT” terminal).

DMX Linking: DMX is a language allowing all makes and models of different manufactures to be linked together and operate from a single controller, as long as all fixtures and the controller are DMX compliant. To ensure proper DMX data transmission, when using several DMX fixtures try to use the shortest cable path possible. The order in which fixtures are connected in a DMX line does not influence the DMX addressing. For example; a fixture assigned a DMX address of 1 may be placed anywhere in a DMX line, at the beginning, at the end, or anywhere in the middle. When a fixture is assigned a DMX address of 1, the DMX controller knows to send DATA assigned to address 1 to that unit, no matter where it is located in the DMX chain.

Data Cable (DMX Cable) Requirements (For DMX Operation): The Encore Burst 100 IP can be controlled via DMX-512 protocol. The Encore Burst 100 IP has 4 DMX channel modes. Your unit and your DMX controller requires a 5-pin XLR connector for data input and data output. We recommend Accu-Cable DMX cables. If you are making your own cables, be sure to use standard 110-120 Ohm shielded cable (This cable may be purchased at almost all pro lighting stores). Your cables should be made with a male and female XLR connector on either end of the cable. Also remember that DMX cable must be daisy chained and cannot be split.

Special Note: Line Termination. When longer runs of cable are used, you may need to use a terminator on the last unit to avoid erratic behavior. A terminator is a 110-120 ohm 1/4 watt resistor which is connected between pins 2 and 3 of a male XLR connector (DATA + and DATA -). This unit is inserted in the female XLR connector of the last unit in your daisy chain to terminate the line. Using a cable terminator (ADJ part number Z-DMX/T) will decrease the possibilities of erratic behavior.

DMX ADDRESSING

All fixtures should be given a DMX starting address when using a DMX controller, so the correct fixture responds to the correct control signal. This digital starting address is the channel number from which the fixture starts to “listen” to the digital control signal sent out from the DMX controller. The assignment of this starting DMX address is achieved by setting the correct DMX address on the digital control display on the fixture.

You can set the same starting address for all fixtures or a group of fixtures, or set different addresses for each individual fixture. Setting all fixtures to the same DMX address will cause all fixtures to react in the same way, in other words, changing the settings of one channel will affect all the fixtures simultaneously.

If you set each fixture to a different DMX address, each unit will start to “listen” to the channel number you have set, based on the quantity of DMX channels of each fixture. That means changing the settings of one channel will only affect the selected fixture.

In the case of the Encore Burst 100 IP, when in 4 channel mode you should set the starting DMX address of the first unit to 1, the second unit to 5 (4 + 1), the third unit to 9 (5 + 4), and so on. (See chart below for more details.)

Channel Mode	Unit 1 Address	Unit 2 Address	Unit 3 Address	Unit 4 Address
1 Channels	1	2	3	4
2 Channels	1	3	5	7
3 Channels	1	4	7	10
4 Channels	1	5	9	13

1 CH	2 CH	3 CH	4 CH	VALUES	FUNCTIONS
1	1	1	1	000-255	MASTER DIMMER 0-100%
	2	2	2	000-255	DIMMER FINE 0-100%
					SHUTTER & STROBING
		3	3	000-031	LED OFF
				032-063	LED ON
				064-095	STROBING SLOW-FAST
				096-127	LED ON
				128-159	PULSE STROBING
				160-191	LED ON
				192-223	RANDOM STROBING SLOW-FAST
				224-255	LED ON
					DIMMER CURVES & SPEED
			4	000-020	STANDARD
				021-040	STAGE
				041-060	TV
				061-080	ARCHITECTURAL
				081-100	THEATRE
				101-120	STAGE 2
				121-140	DIMMER SPEED FAST-SLOW (0.1S-10S)
				141-255	DEFAULT TO UNIT SETTING

MENU	SUBMENU	OPTIONS	DESCRIPTION
DMX Address		001-512	DMX Addressing
DMX CH Mode		1Ch/2Ch/3Ch/4Ch	DMX Channel Mode Selection
No DMX State		Hold Last/Blackout/Manual	DMX Lost Status
Dim Modes		Standard/Stage/TV/Architectural/Theatre/Stage2 Dim Speed 0.1S~10S	Dimming Curve Modes Dimming Speed
LED Refresh Rate		900Hz/1000Hz/1100Hz/1200Hz/1300Hz/ 1400Hz/1500Hz/6000Hz/25000Hz	LED Refresh Setting
Gamma		1.0/2.0/2.2/2.4/2.6/2.8	Gamma Brightness
Tungsten		ON/OFF	Tungsten Effect
Display	Backlight	ON/OFF	Backlight Control
	Display Lock	ON/OFF	Display Control Lock
Service	Passcode = 50	Effect Adjust (Calibration) - WW LED 000 - 255	Calibration
		Factory Restore - Password = 11	Factory Settings
Manual Control		WW LED 000 - 255	Manual Control
		Strobe 000 - 255	
Information	Fixture Life Time	Power On Time - XXXXXX Hours	Total Running Time (Not Resettable)
		P-On Time-R - XXXXXX Hours	Total Running Time (Resettable)
		P-On Time Reset - Password = 50	Reset Total Running Time
	Total LED Time	LED On Time - XXXXXX Hours	Total LED On Running Time (Not Resettable)
		LED On Time-R - XXXXXX Hours	LED On Running Time (Resettable)
		LED Time Reset - Password = 50	Reset LED Running Time
	Fixture Temps	Current - XXX°	Current Temperature
		Max Resettable - XXX°	Maximum Temperature* Reached (Resettable)
		Max Not Resettable - XXX°	Maximum Temperature** Reached (Not Resettable)
		Rst Temp History - Password = 50	Reset Temperature
	DMX Values	WW LED 000 - 255	Current DMX Values
		Strobe 000 - 255	
	Software Version	X.X	Current Software Version

*Current Maximum Temperature - Maximum fixture temp. that has been recorded, before reset and after reset.

**Maximum Temperature - Overall maximum fixture temp. that has been recorded. (Not Resettable)

DMX Address - DMX Address Setting.

1. Press either the MENU, UP, or DOWN buttons until “**DMX Address**” is displayed and press ENTER.
2. The current DMX address will now be displayed. Press the UP or DOWN buttons to find your desired DMX address and press ENTER to confirm your setting. Press the MENU button to exit without any changes.

DMX CH Mode - This will let you select your desired DMX channel mode.

1. Press either the MENU, UP, or DOWN buttons until “**DMX CH Mode**” is displayed and press ENTER.
2. The current DMX channel mode will now be displayed. Press the UP or DOWN buttons to find your desired DMX channel mode and press ENTER to confirm your setting. Press the MENU button to exit without any changes.

No DMX State - This mode is used as a precaution mode. In case the DMX signal is lost or interrupted, the operating mode chosen in this setup is the running mode the fixture will revert to when the DMX signal is lost.

1. Press either the MENU, UP, or DOWN buttons until “**No DMX State**” is displayed and press ENTER.
2. Press the UP or DOWN buttons to find the operating mode you would like the unit to automatically revert to if the DMX signal is lost or interrupted.
 - **Hold Last** - If the DMX signal is lost or interrupted, the unit will stay in the last DMX setting.
 - **Blackout** - If the DMX signal is lost or interrupted, the unit will automatically go into standby mode.
 - **Manual** - If the DMX signal is lost or interrupted, the unit will default to the settings made under the “Manual Control” function. See “Manual Control” on page 15 for more information.
3. Once you have found your desired setting press ENTER to confirm.

Dim Modes - This will let select your desired dimmer mode. In this mode the dimmer speed can also be adjusted. The dimmer speed adjustment will affect all dimmer modes.

1. Press either the MENU, UP, or DOWN buttons until “**Dim Modes**” is displayed and press ENTER.
2. 1 of 6 dimmer curves or dim speed will be displayed. “**Standard**”, “**Stage**”, “**TV**”, “**Architectural**”, “**Theatre**”, or “**Stage 2**”. See the dimmer mode chart on page 18 for more info.
3. Press the UP or DOWN buttons to find your desired dimmer curve and press ENTER to confirm.

LED Refresh Rate - With this function you can adjust the dimming frequency.

1. Press either the MENU, UP, or DOWN buttons until “**LED Refresh Rate**” is displayed and press ENTER.
2. Use the UP or DOWN buttons to adjust the dimming frequency between 900hz, 1000hz, 1100hz, 1200hz, 1300hz, 1400hz, 1500hz, 6000hz, or 25000hz.
3. Once you have found your desired setting press ENTER to confirm.

Gamma - In this menu you are able to make gamma corrections.

1. Press either the MENU, UP, or DOWN buttons until **“Gamma”** is displayed and press ENTER.
2. Use the UP or DOWN buttons to adjust the gamma brightness.
3. Once you have found your desired setting press ENTER to confirm.

Tungsten - In this menu you can activate the Tungsten Filament effect.

1. Press either the MENU, UP, or DOWN buttons until **“Tungsten”** is displayed and press ENTER.
2. Use the UP or DOWN buttons to toggle between **“ON”** and **“OFF”**. **“ON”** will activate this effect and **“OFF”** will deactivate it.
3. Once you have found your desired setting press ENTER to confirm.

Display - This submenu has two functions: (1). The display can be set to turn off after 20 seconds or set to stay on at all times. (2). You can set the control panel to lock after 30 seconds.

1. Press either the MENU, UP, or DOWN buttons until **“Display”** is displayed and press ENTER.
2. Use the UP or DOWN buttons to switch between **“Backlight”** and **“Display Lock”**. Press the ENTER to select the setting you would like to adjust.
3. Use the UP or DOWN buttons to toggle between **“ON”** and **“OFF”** for each function.
 - **Backlight** - **“ON”** will keep the display on at all times, and **“OFF”** will have the display turn off after 20 seconds. To “light” the display press 1 of the 4 buttons.
 - **Display Lock** - **“ON”** will lock the display control after 30 seconds, and **“OFF”** will leave the display control unlocked. To unlock the display press any 1 of the 4 buttons for at least 5 seconds.
4. Once you have found your desired settings press the ENTER button to confirm.

Service - With this function the unit can be calibrated or reset to its default settings. The password is **“11”** to access this submenu. **NOTE: ONLY QUALIFIED TECHNICIANS SHOULD PERFORM THE CALIBRATION FUNCTION.**

1. Press either the MENU, UP, or DOWN buttons until **“Service”** is displayed and press ENTER.
2. **“Pass Code”** and **“X”** will now be displayed. **“X”** represents the current displayed number.
3. Use the UP and DOWN buttons to “set” the pass code and press ENTER.
4. To reset the unit to the factory settings, press the UP or DOWN buttons until **“Factory Restore”** is displayed and press ENTER.

Manual Control - This function will allow you to manually adjust the LED output intensity and strobe rate. **NOTE:** The “No DMX State” setting **MUST** be set to “Manual” for this operational mode to work. Please see “No DMX State” on page 13 for more information.

1. Press either the MENU, UP, or DOWN buttons until “**Manual Control**” is displayed and press ENTER.
2. Use the UP and DOWN buttons to switch between “**WW LED**” and “**Strobe**”. Press ENTER to select the function you would like to adjust.
3. Use the UP and DOWN buttons to adjust the values of the selected.

Power On Time - With this function you are able to check the total power ON running time of the unit. This time can **NOT** be reset.

NOTE: *The displayed time represents the total power ON running time.*

1. Press either the MENU, UP, or DOWN buttons until “**Information**” is displayed and press ENTER.
2. Press the UP or DOWN buttons until “**Fixture Life Time**” is displayed and press ENTER.
3. Press the UP or DOWN buttons until “**Power On Time**” is displayed and press ENTER.
4. The total power ON running time of the fixture will now be displayed. Press the MENU button to exit.

P-On Time-R - With this function you are able to check current power ON running time of the unit. This running time may not be the same as the total power ON running time displayed under “**POWER ON TIME**”. This time **CAN** be reset.

NOTE: *The displayed time represents the current power ON running time since the last reset.*

1. Press either the MENU, UP, or DOWN buttons until “**Information**” is displayed and press ENTER.
2. Press the UP or DOWN buttons until “**Fixture Life Time**” is displayed and press ENTER.
3. Press the UP or DOWN buttons until “**P-On Time-R**” is displayed and press ENTER.
4. The power ON running time of the fixture will now be displayed. Press the MENU button to exit.

P-On Time Reset - With this function you can reset the current power ON running time that is displayed under “**P-ON TIME-R**”.

1. Press the either the MENU, UP, or DOWN buttons until “**Information**” is displayed and press ENTER.
2. Press the UP or DOWN buttons until “**Fixture Life Time**” is displayed and press ENTER.
3. Press the UP or DOWN buttons until “**P-On Time Reset**” is displayed and press ENTER.
4. Use the UP or DOWN buttons to set the pass code to “**50**” and press ENTER. The **P-ON TIME-R** will now be reset to “0”.

LED On Time - With this function you are able to check the total LED ON time. This total LED On time can NOT be reset.

NOTE: The displayed time represents the total LED ON time.

1. Press either the MENU, UP, or DOWN buttons until “**Information**” is displayed and press ENTER.
2. Press the UP or DOWN buttons until “**Total LED Time**” is displayed and press ENTER.
3. Press the UP or DOWN buttons until “**LED On Time**” is displayed and press ENTER.
4. The total power ON running time of the fixture will now be displayed. Press the MENU button to exit.

LED On Time-R - With this function you are able to check current LED ON running time of the unit. This running time may not be the same as the total LED ON time displayed under “LED ON TIME”. This total LED ON time CAN be reset.

NOTE: The displayed time represents the current LED ON time since the last reset.

1. Press either the MENU, UP, or DOWN buttons until “**Information**” is displayed and press ENTER.
2. Press the UP or DOWN buttons until “**Total LED Time**” is displayed and press ENTER.
3. Press the UP or DOWN buttons until “**LED On Time-R**” is displayed and press ENTER.
4. The power ON running time of the fixture will now be displayed. Press the MENU button to exit.

LED Time Reset - With this function you can reset the current LED ON time that is displayed under “LED ON TIME-R”.

1. Press either the MENU, UP, or DOWN buttons until “**Information**” is displayed and press ENTER.
2. Press the UP or DOWN buttons until “**Total LED Time**” is displayed and press ENTER.
3. Press the UP or DOWN buttons until “**LED Time Reset**” is displayed and press ENTER.
4. Use the UP or DOWN buttons to set the pass code to “**50**” and press ENTER. The **LED ON TIME-R** will now be reset to “0”.

Current - With this function you can check the current temperature of the fixture.

1. Press either the MENU, UP, or DOWN buttons until “**Information**” is displayed and press ENTER.
2. Press the UP or DOWN buttons until “**Fixture Temps**” is displayed and press ENTER.
3. Press the UP or DOWN buttons until “**Current**” is displayed and press ENTER.
4. The fixtures current temperature will now be displayed. Press the UP or DOWN buttons to switch between farenheit and celsius. Press the MENU button to exit.

Max Resettable - With this function you are able to check the current highest temperature the fixture has reached. This temperature may not be the same as the temperature displayed under “CURRENT” or “MAX NOT RESETTABLE”. This temperature CAN be reset.

NOTE: The displayed temperature represents the highest temperature the fixture has reached since the last reset.

1. Press either the MENU, UP, or DOWN buttons until “**Information**” is displayed and press ENTER.
2. Press the UP or DOWN buttons until “**Fixture Temps**” is displayed and press ENTER.
3. Press the UP or DOWN buttons until “**Max Resettable**” is displayed and press ENTER.
4. The fixtures highest temperature will now be displayed. Press the UP or DOWN buttons to switch between farenheit and celsius. Press the MENU button to exit.

Max Not Resettable - With this function you are able to check the highest temperature the fixture has reached. This temperature can NOT be reset, and could continue rise.

1. Press either the MENU, UP, or DOWN buttons until “**Information**” is displayed and press ENTER.
2. Press the UP or DOWN buttons until “**Fixture Temps**” is displayed and press ENTER.
3. Press the UP or DOWN buttons until “**Max Not Resettable**” is displayed and press ENTER.
4. The fixtures highest temperature will now be displayed. Press the UP or DOWN buttons to switch between farenheit and celsius. Press the MENU button to exit.

Rst Temp History - With this function you can reset the MAX RESETTABLE temperature.

NOTE: When the temperature is reset, the temperature will revert to the CURRENT temperature.

1. Press either the MENU, UP, or DOWN buttons until “**Information**” is displayed and press ENTER.
2. Press the UP or DOWN buttons until “**Fixture Temps**” is displayed and press ENTER.
3. Press the UP or DOWN buttons until “**Rst Temp History**” is displayed and press ENTER.
4. Use the UP or DOWN buttons to set the pass code to “**50**” and press ENTER. The **MAX RESETTABLE** temperature will now reset to the **CURRENT** fixture temperature.

DMX Values - With this function you can check the DMX values of each DMX channel that is currently in use.

1. Press the MENU button until “**Information**” is displayed and press ENTER.
2. Press the UP or DOWN buttons until “**DMX Values**” is displayed and press ENTER.
3. Use the UP or DOWN buttons to find the DMX channel you would like check and press ENTER. The current DMX value of that channel will now be displayed. Press the MENU button to exit.

Software Version - Use this function to display the Software version of the unit.

1. Press the MENU button until “**Information**” is displayed, press ENTER.
2. Press the UP or DOWN buttons until “**Software Version**” is displayed and press ENTER.
3. The current software version will now be displayed.

Encore Burst 100 IP

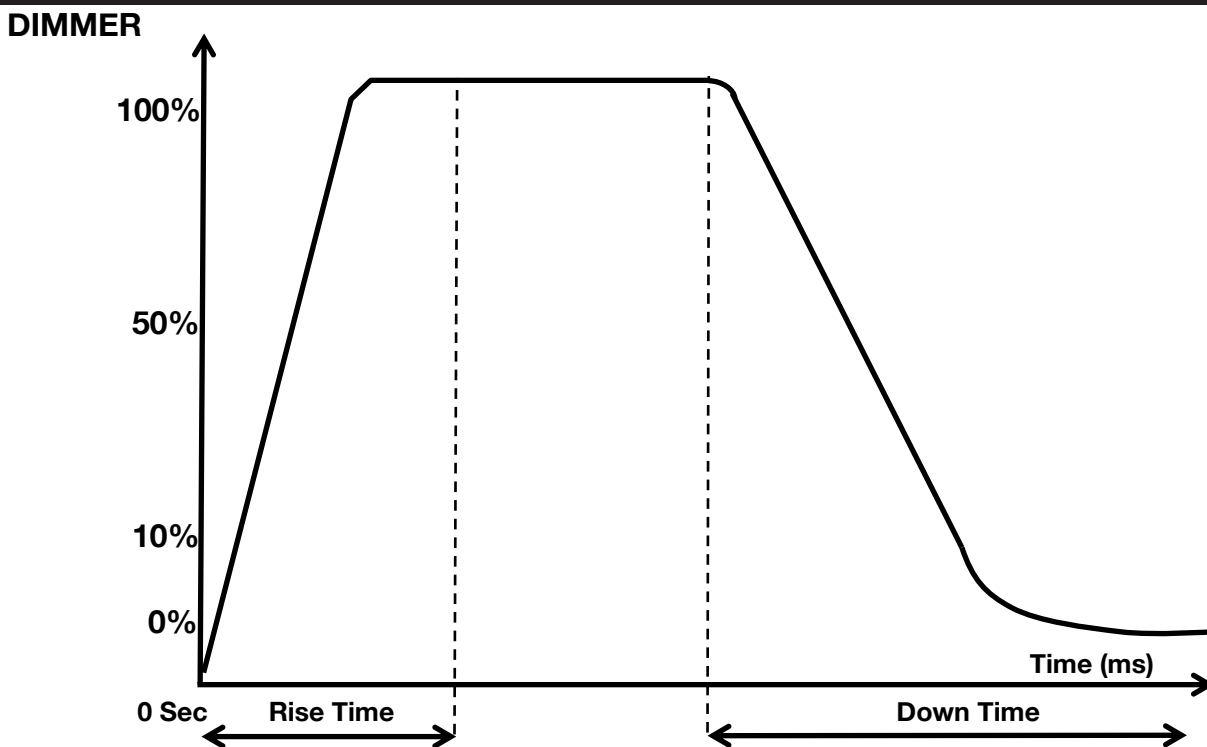
Multiple Unit Power Linking

With this feature you can connect the fixtures to one another using the power cable input and output sockets.

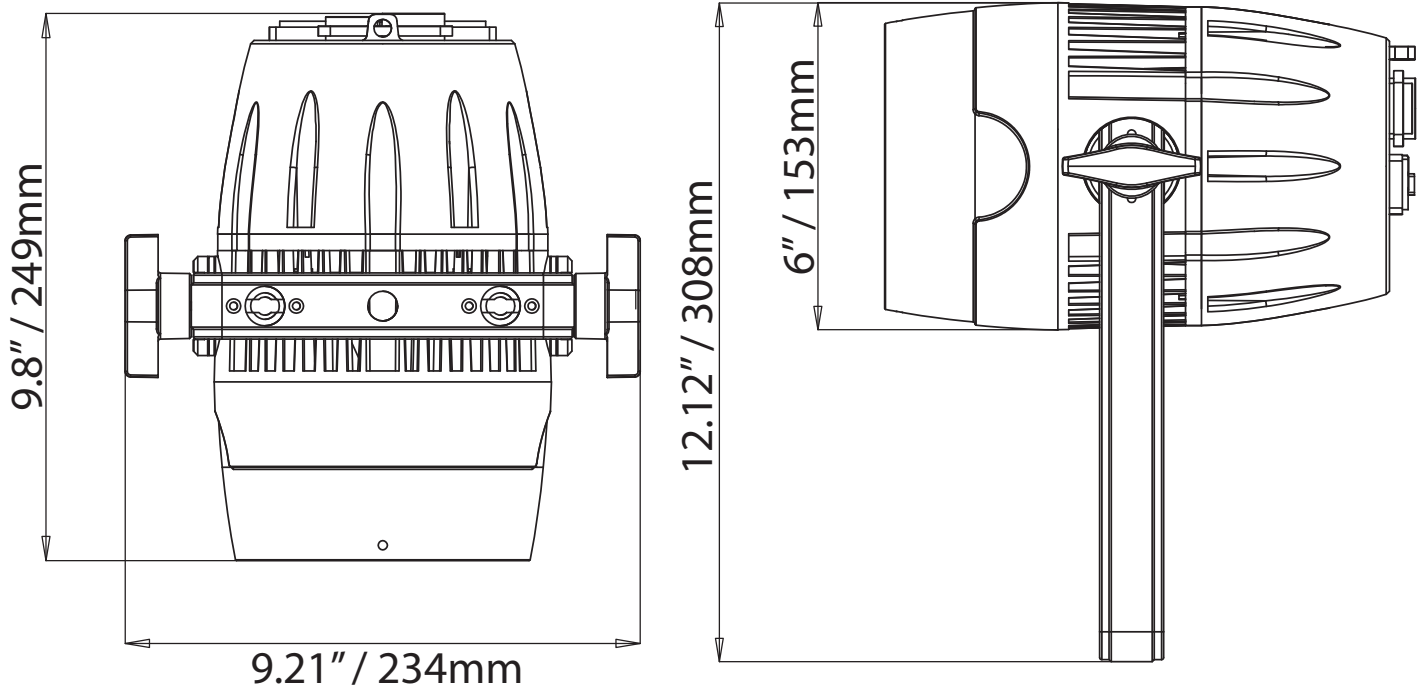
NOTE: USE CAUTION WHEN POWER LINKING OTHER FIXTURES AS THE POWER CONSUMPTION OF OTHER MODEL FIXTURES MAY EXCEED THE MAX POWER OUTPUT ON THIS FIXTURE! CHECK SILK SCREEN FOR MAX AMPS.

Encore Burst 100 IP

Dimmer Mode Chart



Dimming Curve Ramp Effect	0 sec Fade Time		1 sec Fade Time	
	Rise Time (ms)	Down Time (ms)	Rise Time (ms)	Down Time (ms)
Standard (default)	0	0	0	0
Stage	780	1100	1540	1660
TV	1180	1520	1860	1940
Architectural	1380	1730	2040	2120
Theatre	1580	1940	2230	2280
Stage 2	0	1100	0	1660



Listed below are a few common problems the user may encounter, with solutions.

Unit not responding to DMX:

1. Check that the DMX cables are connected properly and are wired correctly (pin 3 is "hot"; on some other DMX devices pin 2 may be 'hot'). Also, check that all cables are connected to the right connectors; it does matter which way the inputs and outputs are connected.

Due to fog residue, smoke, and dust cleaning the internal and external optical lenses must be carried out periodically to optimize light output.

1. Use normal glass cleaner and a soft cloth to wipe down the outside casing.
2. Clean the external optics with glass cleaner and a soft cloth every 20 days.
3. Always be sure to dry all parts completely before plugging the unit back in.

Cleaning frequency depends on the environment in which the fixture operates (i.e. smoke, fog residue, dust, dew).

MANUFACTURER'S LIMITED WARRANTY

- A. ADJ Products, LLC hereby warrants, to the original purchaser, ADJ Products, LLC products to be free of manufacturing defects in material and workmanship for a prescribed period from the date of purchase (see specific warranty period on reverse). This warranty shall be valid only if the product is purchased within the United States of America, including possessions and territories. It is the owner's responsibility to establish the date and place of purchase by acceptable evidence, at the time service is sought.
- B. For warranty service you must obtain a Return Authorization number (RA#) before sending back the product—please contact ADJ Products, LLC Service Department at 800-322-6337. Send the product only to the ADJ Products, LLC factory. All shipping charges must be pre-paid. If the requested repairs or service (including parts replacement) are within the terms of this warranty, ADJ Products, LLC will pay return shipping charges only to a designated point within the United States. If the entire instrument is sent, it must be shipped in its original package. No accessories should be shipped with the product. If any accessories are shipped with the product, ADJ Products, LLC shall have no liability whatsoever for loss of or damage to any such accessories, nor for the safe return thereof.
- C. This warranty is void if the serial number has been altered or removed; if the product is modified in any manner which ADJ Products, LLC concludes, after inspection, affects the reliability of the product; if the product has been repaired or serviced by anyone other than the ADJ Products, LLC factory unless prior written authorization was issued to purchaser by ADJ Products, LLC; if the product is damaged because not properly maintained as set forth in the instruction manual.
- D. This is not a service contract, and this warranty does not include maintenance, cleaning or periodic check up. During the period specified above, ADJ Products, LLC will replace defective parts at its expense with new or refurbished parts, and will absorb all expenses for warranty service and repair labor by reason of defects in material or workmanship. The sole responsibility of ADJ Products, LLC under this warranty shall be limited to the repair of the product, or replacement thereof, including parts, at the sole discretion of ADJ Products, LLC. All products covered by this warranty were manufactured after August 15, 2012, and bear identifying marks to that effect.
- E. ADJ Products, LLC reserves the right to make changes in design and/or improvements upon its products without any obligation to include these changes in any products theretofore manufactured.

No warranty, whether expressed or implied, is given or made with respect to any accessory supplied with products described above. Except to the extent prohibited by applicable law, all implied warranties made by ADJ Products, LLC in connection with this product, including warranties of merchantability or fitness, are limited in duration to the warranty period set forth above. And no warranties, whether expressed or implied, including warranties of merchantability or fitness, shall apply to this product after said period has expired. The consumer's and/or Dealer's sole remedy shall be such repair or replacement as is expressly provided above; and under no circumstances shall ADJ Products, LLC be liable for any loss or damage, direct or consequential, arising out of the use of, or inability to use, this product.

This warranty is the only written warranty applicable to ADJ Products, LLC Products and supersedes all prior warranties and written descriptions of warranty terms and conditions heretofore published.

MANUFACTURER'S LIMITED WARRANTY PERIODS:

- **Non L.E.D. Lighting Products = 1-year (365 days) Limited Warranty** (Such as: Special Effect Lighting, Intelligent Lighting, UV lighting, Strobes, Fog Machines, Bubble Machines, Mirror Balls, Par Cans, Trussing, Lighting Stands etc. excluding LED and lamps)
- **Laser Products = 1 Year (365 Days) Limited Warranty** (excluding laser diodes which have a 6 month limited warranty)
- **L.E.D. Products = 2-year (730 days) Limited Warranty** (excluding batteries which have a 180 day limited warranty). **Note: 2 Year Warranty only applies to purchases within the United States.**
- **StarTec Series = 1 Year Limited Warranty** (excluding batteries which have a 180 day limited warranty).
- **ADJ DMX Controllers = 2 Year (730 Days) Limited Warranty**

Model: Encore Burst 100 IP

Voltage:	100V ~ 240V/50~60Hz
LEDs:	1 x 125W Warm White C.O.B. CREE LED
Color Temperature:	2700k 1200k (Tungsten Mode)
IP Rating:	65
Working Position:	Any safe working position
Power Draw:	115W
Weight:	9.25 lbs./ 4.2 Kgs.
Dimensions:	9.21" (L) x 9.8" (W) x 12.12" (H) 234 x 249 x 308mm
DMX Channels:	4 DMX Modes: 1/2/3/4
Warranty:	2 Year (730 days)

Please Note: Specifications and improvements in the design of this unit and this manual are subject to change without any prior written notice.