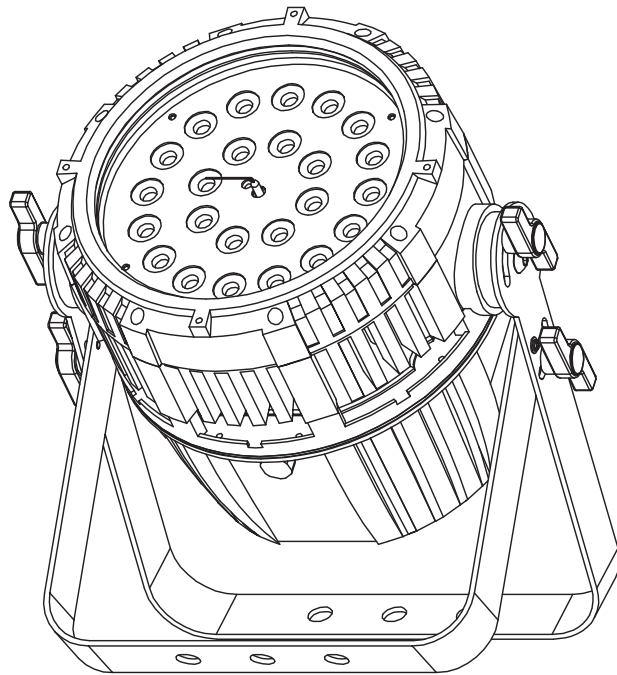




# UV 72IP



Intertek  
4002034

## User Instructions

©2017 ADJ Products, LLC all rights reserved. Information, specifications, diagrams, images, and instructions herein are subject to change without notice. ADJ Products, LLC logo and identifying product names and numbers herein are trademarks of ADJ Products, LLC. Copyright protection claimed includes all forms and matters of copyrightable materials and information now allowed by statutory or judicial law or hereinafter granted. Product names used in this document may be trademarks or registered trademarks of their respective companies and are hereby acknowledged. All non-ADJ Products, LLC brands and product names are trademarks or registered trademarks of their respective companies.

ADJ Products, LLC and all affiliated companies hereby disclaim any and all liabilities for property, equipment, building, and electrical damages, injuries to any persons, and direct or indirect economic loss associated with the use or reliance of any information contained within this document, and/or as a result of the improper, unsafe, insufficient and negligent assembly, installation, rigging, and operation of this product.

### FCC STATEMENT

This device complies with Part 15 of the FCC Rules. Operation is subject to the following two conditions: (1) this device may not cause harmful interference, and (2) this device must accept any interference received, including interference that may cause undesired operation.

### FCC RADIO FREQUENCY INTERFERENCE WARNINGS & INSTRUCTIONS

This product has been tested and found to comply with the limits as per Part 15 of the FCC Rules. These limits are designed to provide reasonable protection against harmful interference in a residential installation. This device uses and can radiate radio frequency energy and, if not installed and used in accordance with the included instructions, may cause harmful interference to radio communications. However, there is no guarantee that interference will not occur in a particular installation. If this device does cause harmful interference to radio or television reception, which can be determined by turning the device off and on, the user is encouraged to try to correct the interference by one or more of the following methods:

- Reorient or relocate the device and/or antenna.
- Increase the separation between the device and the receiver.
- Connect the device into an electrical outlet on a circuit different from that which the radio receiver is connected.
- Consult the dealer or an experienced radio/TV technician for help.

### Europe Energy Saving Notice

#### Energy Saving Matters (EuP 2009/125/EC)

Saving electric energy is a key to help protecting the environment. Please turn off all electrical products when they are not in use. To avoid power consumption in idle mode, disconnect all electrical equipment from power when not in use. Thank you!

### DOCUMENT VERSION

Please check [www.adj.com](http://www.adj.com) for the latest revision/update of this guide.

Date	Document Version	Software Version ≥	DMX Channel Modes	Notes
07/13/17	1	1.00	1/2/3	Initial Release

## UV 72IP

## Introduction

**Unpacking:** Thank you for purchasing the UV 72IP by ADJ Products, LLC. Every UV 72IP has been thoroughly tested and has been shipped in perfect operating condition. Carefully check the shipping carton for damage that may have occurred during shipping. If the carton appears to be damaged, carefully inspect your fixture for any damage and be sure all accessories necessary to operate the unit has arrived intact. In the case damage has been found or parts are missing, please contact our toll free customer support number for further instructions. Do not return this unit to your dealer without first contacting customer support.

**Introduction:** The UV 72IP is an IP65 outdoor rated, DMX intelligent, UV LED par fixture with ADJ's WiFly TransCeiver with wireless DMX built-in. This fixture can be used in a stand alone mode or connected in a Master/Slave configuration. This wash has three operating modes: Auto Fade mode, UV Dimmer mode, and DMX control mode.

**Customer Support:** ADJ Products, LLC provides a customer support line, to provide set up help and to answer any question should you encounter problems during your set up or initial operation. You may also visit us on the web at [www.adj.com](http://www.adj.com) for any comments or suggestions. Service Hours are Monday through Friday 8:00 a.m. to 4:30 p.m. Pacific Standard Time.

Voice: (800) 322-6337  
Fax: (323) 582-2941  
E-mail: [support@AmericanDJ.com](mailto:support@AmericanDJ.com)

**Warning!** To prevent or reduce the risk of electrical shock or fire, do not expose this unit to rain or moisture.

**Caution!** There are no user serviceable parts inside this unit. Do not attempt any repairs yourself, doing so will void your manufactures warranty. In the unlikely event your unit may require service please contact ADJ Products, LLC.

**PLEASE recycle the shipping carton when ever possible.**

## UV 72IP

## Features

- Electronic Dimming 0-100%
- DMX-512 protocol
- IP65 Locking 3-Pin XLR Connector In/Out
- 3 DMX Channel Modes
- Built-In ADJ's WiFly EXR Wireless DMX Up to 2,500 feet/760M
- IP 65 Rated Power Connection locking system
- UC IR Compatible & Airstream IR Comptiable
- Multiple Unit Power Linking (See page 19)

Included Accessories:

1 x IP65 Locking Power Cable

1 x Dual Yoke/Stand

1 x UC IR Remote Control + 1 x Airstream IR Transmitter

## UV 72IP

## Warranty Registration

The UV 72IP carries a 2 year (730 Days) limited warranty. Please fill out the enclosed warranty card to validate your purchase. All returned service items whether under warranty or not, must be freight pre-paid and accompany a return authorization (R.A.) number. The R.A. number must be clearly written on the outside of the return package. A brief description of the problem as well as the R.A. number must also be written down on a piece of paper included in the shipping carton. If the unit is under warranty, you must provide a copy of your proof of purchase invoice. You may obtain a R.A. number by contacting our customer support team on our customer support number. All packages returned to the service department not displaying a R.A. number on the outside of the package will be returned to the shipper.

## UV 72IP

## Installation

The unit should be mounted using a mounting clamp (not provided), affixing it to the mounting bracket that is provided with the unit. Always ensure that the unit is firmly fixed to avoid vibration and slipping while operating. Always ensure that the structure to which you are attaching the unit is secure and is able to support a weight of 10 times the unit's weight. Also, always use a safety cable that can hold 12 times the weight of the unit when installing the fixture.

The equipment must be installed by a professional, and it must be installed in a place where it is out of the reach of people's grasp.

- To reduce the risk of electrical shock or fire, do not expose this unit rain or moisture
- Do not spill water or other liquids into or on to your unit.
- Do not attempt to operate this unit if the power cord has been frayed or broken. Do not attempt to remove or break off the ground prong from the electrical cord. This prong is used to reduce the risk of electrical shock and fire in case of an internal short.
- Disconnect from main power before making any type of connection.
- Do not remove the cover under any conditions. There are no user serviceable parts inside.
- Never operate this unit when it's cover is removed.
- Never plug this unit in to a dimmer pack
- Always be sure to mount this unit in an area that will allow proper ventilation. Allow about 6" (15cm) between this device and a wall.
- Do not attempt to operate this unit, if it becomes damaged.
- This unit is intended for indoor use only, use of this product out doors voids all warranties.
- During long periods of non-use, disconnect the unit's main power.
- Always mount this unit in safe and stable matter.
- Power-supply cords should be routed so that they are not likely to be walked on or pinched by items placed upon or against them, paying particular attention to the point they exit from the unit.
- Cleaning -The fixture should be cleaned only as recommended by the manufacturer. See page 19 for cleaning details.
- Heat -The appliance should be situated away from heat sources such as radiators, heat registers, stoves, or other appliances (including amplifiers) that produce heat.
- The fixture should be serviced by qualified service personnel when:
  - A. The power-supply cord or the plug has been damaged.
  - B. Objects have fallen, or liquid has been spilled into the appliance.
  - C. The appliance has been exposed to rain or water.
  - D. The appliance does not appear to operate normally or exhibits a marked change in performance.

**CAUTION: This unit like any wireless device is highly susceptible to static electricity. Static electricity can severely damage the unit.**

**! CAUTION**

**HIGH  
INTENSITY  
ULTRAVIOLET  
LIGHT**



**AVOID DIRECT EYE & SKIN EXPOSURE.  
WEAR PROPER EYE & SKIN PROTECTION.  
SEE MANUAL FOR SAFETY INSTRUCTIONS.**

**RISK GROUP 3 - RISK OF EXPOSURE TO ULTRAVIOLET (UV) RADIATION!**

**FIXTURE EMITS HIGH INTENSITY ULTRAVIOLET (UV) LIGHT  
AT A WAVELENGTH OF 390NM - 410NM.**

**WEAR PROPER EYE AND SKIN PROTECTION.**

**AVOID PROLONGED PERIODS OF EXPOSURE.**

**AVOID WEARING WHITE COLOR CLOTHING AND/OR  
USING (UV) PAINTS ON SKIN.**

**AVOID DIRECT EYE AND/OR SKIN EXPOSURE AT DISTANCES  
SHORTER THAN 11 feet (3.3m).**

**DO NOT OPERATE FIXTURE WITH DAMAGED OR MISSING EXTERNAL  
COVER PROTECTIVE LENS.**

**DO NOT LOOK DIRECTLY INTO THE (UV) LIGHT AND/OR VIEW (UV)  
LIGHT DIRECTLY WITH OPTICAL INSTRUMENTS THAT MAY CONCEN-  
TRATE THE LIGHT/RADIATION OUTPUT.**

**INDIVIDUALS SUFFERING FROM A RANGE OF EYE CONDITIONS, SUN-  
LIGHT EXPOSURE DISORDERS, OR INDIVIDUALS USING PHOTSEN-  
SITIVE MEDICATION, MAY RECEIVE DISCOMFORT IF EXPOSED TO THE  
ULTRAVIOLET (UV) LIGHT EMITTED FROM THIS FIXTURE.**

**IP65****IP65 RATED**

An IP rated lighting fixture is one, which is commonly installed in outdoor environments and has been designed with an enclosure that effectively protects the ingress (entry) of external foreign objects such as dust and water. The **International Protection (IP)** rating system is commonly expressed as "IP" (Ingress Protection) followed by two numbers (i.e. IP65) where the numbers define the degree of protection. The first digit (Foreign Bodies Protection) indicates the extent of protection against particles entering the fixture and the second digit (Water Protection) indicates the extent of protection against water entering the fixture. An IP65 rated lighting fixture is one, which has been designed and tested to protect against the ingress of dust (6) and high-pressure water jets from any direction (5).

**MARINE/COASTAL ENVIRONMENT INSTALLATIONS!**

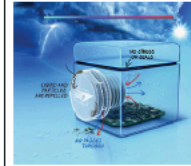
Please note although this fixture is IP rated, the fixture is **NOT** suitable for marine and/or coastal environment installations. Installing this fixture in a marine and/or coastal environment may cause corrosion and/or excessive wear to the interior and/or exterior components of the fixture. Damages and/or performance issues resulting from installation in a marine and/or coastal environment will void the manufactures warranty and will **NOT** be subject to any warranty claims and/or repairs.



Ensure **ALL** connections and end caps are properly sealed with a non-conductive dielectric grease (available at most electrical suppliers) to prevent water ingress/condensation and/or corrosion.

**OPTIONAL CORROSION-RESISTANT COATING**

Optional Corrosion-Resistant Coatings may be available for this fixture. Please consult your **ADJ Products, LLC** sales representative for details.

**PROTECTIVE VENT**

This IP rated fixture features a protective vent valve that equalizes the pressure, prevents contamination, and reduces condensation, ultimately extending the lifetime of the fixture.

**IMPORTANT MUST READ**

If this fixture is installed in an extreme and/or harsh outdoor/wet environment, it **MUST** be powered ON and used for a minimum of 30 minutes every 10-15 days. Prolonged exposure to an extreme and/or harsh outdoor/wet environment without usage as stated above can lead to component damage and/or shortening the lifetime of the fixture. Any component damage found to be as a direct result of not following this guideline may void the limited warranty.

**Power Supply:** The ADJ UV 72IP contains an automatic voltage switch, which will auto sense the voltage when it is plugged into the power source. With this switch there is no need to worry about the correct power voltage, this unit can be plugged in anywhere.

**DMX-512:** DMX is short for Digital Multiplex. This is a universal protocol used as a form of communication between intelligent fixtures and controllers. A DMX controller sends DMX data instructions from the controller to the fixture. DMX data is sent as serial data that travels from fixture to fixture via the DATA “IN” and DATA “OUT” XLR terminals located on all DMX fixtures (most controllers only have a DATA “OUT” terminal).

**DMX Linking:** DMX is a language allowing all makes and models of different manufactures to be linked together and operate from a single controller, as long as all fixtures and the controller are DMX compliant. To ensure proper DMX data transmission, when using several DMX fixtures try to use the shortest cable path possible. The order in which fixtures are connected in a DMX line does not influence the DMX addressing. For example; a fixture assigned a DMX address of 1 may be placed anywhere in a DMX line, at the beginning, at the end, or anywhere in the middle. When a fixture is assigned a DMX address of 1, the DMX controller knows to send DATA assigned to address 1 to that unit, no matter where it is located in the DMX chain.

**DMX Cable Requirements:** The UV 72IP can be controlled via DMX-512 protocol. The UV 72IP has 3 DMX channel modes, please see pages 9-10 for the different modes. The DMX address is set on the back panel of the UV 72IP.

**Cable Requirements:** This fixture powered by powerCON TRUE1 power cables. These cables are specifically designed to maintain the integrity of the IP rating. When using this fixture outdoors be sure to ONLY use the ADJ cables that have been manufactured to meet the IP rating.

**“First” DMX Cables** - Special DMX “First” cable may be purchased from ADJ to provide a means of data communication with standard DMX fixtures for indoor use. These cables will come with the IP rated connector on one end and either a 3-pin XLR male or female connector on the other depending on model. Be sure to only use these cables for intergrading this fixture in a standard DMX chain.

**“First” Power Cable** – A special power “First” cable is included with every fixture. This cable is used to provide power to your fixture. This cable comes with the IP rated twist lock connector on one end and a standard Edison 3-prong, grounded prong on the other end. Be sure to only use this cable for power distribution and never attempt to connect this cable to the DMX lines.

You can chain multiple fixtures together through serial linking. Using the IP rated signal cables provided through ADJ (part# TRU113). Always be sure to daisy-chain your in and out data connections, never split or “Y” your DMX connections unless you are using an approved DMX splitter such as the ADJ WiFly D6 Branch or the original D6 Branch (Both not IP rated).

**Special Note: Line Termination.** When longer runs of cable are used, you may need to use a terminator on the last unit to avoid erratic behavior. A terminator is a 110-120 ohm 1/4 watt resistor which is connected between pins 2 and 3 of a male XLR connector (DATA + and DATA -). This unit is inserted in the female XLR connector of the last unit in your daisy chain to terminate the line. Using a cable terminator (ADJ part number Z-DMX/T) will decrease the possibilities of erratic behavior.



Termination reduces signal errors and avoids signal transmission problems and interference. It is always advisable to connect a DMX terminal, (Resistance 120 Ohm 1/4 W) between PIN 2 (DMX-) and PIN 3 (DMX +) of the last fixture.

**5-Pin XLR DMX Connectors.** Some manufactures use 5-pin DMX-512 data cables for DATA transmission in place of 3-pin. 5-pin DMX fixtures may be implemented in a 3-pin DMX line. When inserting standard 5-pin data cables in to a 3-pin line a cable adaptor must be used, these adaptors are readily available at most electric stores. The chart below details a proper cable conversion.

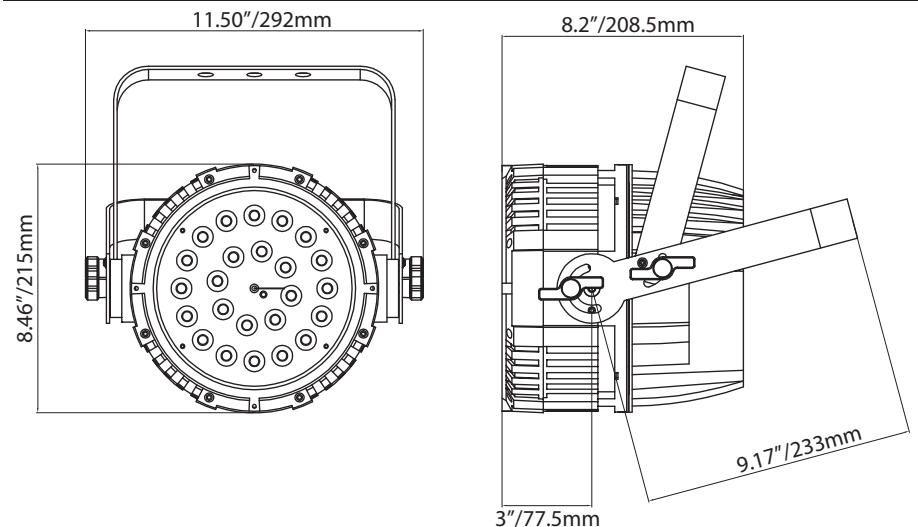
3-Pin XLR to 5-Pin XLR Conversion		
Conductor	3-Pin XLR Female (Out)	5-Pin XLR Male (In)
Ground/Shield	Pin 1	Pin 1
Data Complement (- signal)	Pin 2	Pin 2
Data True (+ signal)	Pin 3	Pin 3
Not Used		Do Not Use
Not Used		Do Not Use



UV 72IP		1 Channel Mode
Channel	Value	Function
1	0 - 255	UV DIMMER 0% - 100%
UV 72IP		2 Channel Mode
Channel	Value	Function
1	0 - 255	UV DIMMER 0% - 100%
2	0 - 31 32 - 63 64 - 95 96 - 127 128 - 159 160 - 191 192 - 223 224 - 255	SHUTTER/STROBE LED OFF LED ON STROBING SLOW - FAST LED ON STROBE PULSE SLOW - FAST LED ON RANDOM STROBE SLOW - FAST LED ON

UV 72IP		3 Channel Mode
Channel	Value	Function
1	0 - 255	UV DIMMER 0% - 100%
2	0 - 31 32 - 63 64 - 95 96 - 127 128 - 159 160 - 191 192 - 223 224 - 255	SHUTTER/STROBE LED OFF LED ON STROBING SLOW - FAST LED ON STROBE PULSE SLOW - FAST LED ON RANDOM STROBE SLOW - FAST LED ON
3	0 - 20 21 - 40 41 - 60 61 - 80 81 - 100 101 - 255	DIMMER CURVES STANDARD STAGE TV ARCHITECTURAL THEATER DEFAULT TO UNIT CURVE SETTING

**UV 72IP Dimensional Drawing**



**LED Display On/Off:**

To set the LED display to turn off 60 seconds, press the MODE button until “don” is displayed, press the UP button to display “doff”. Now the display will disappear after 60s. Press any button to turn the display on again. Be advised though that the display will turn off automatically after 10 seconds.

To set the display press the MODE button until “dXX” is displayed. Use the UP or DOWN buttons to select either:

“don” = LED display on at all times.

“doff” = LED display shuts off after 60 seconds.

**DMX Mode:**

Operating through a DMX controller gives the user the freedom to create their own programs tailored to their own individual needs. This function also allows you to use your fixtures as spot lights. The UV 72IP has 3 DMX modes. See pages 9-10 for each modes’ DMX traits.

1. This function will allow you to control each individual fixture’s traits with a standard DMX 512 controller.
2. To run your fixture in DMX mode press the MODE button until “d.XXX” is displayed. “XXX” represents the current displayed address. Use the UP or DOWN buttons to select your desired DMX address, then press the SETUP button so that “Ch.XX” is displayed.
3. Use the UP or DOWN buttons to scroll through the DMX Channel modes. The Channel modes are listed below:
  - To run the 1 Channel Mode, press the UP or DOWN buttons until “Ch01” is displayed. This is the 1 Channel DMX Mode.
  - To run the 2 Channel Mode, press the UP or DOWN buttons until “Ch02” is displayed. This is the 2 Channel DMX Mode.
  - To run the 3 Channel Mode, press the UP or DOWN buttons until “Ch03” is displayed. This is the 3 Channel DMX Mode.
4. Please see pages 9-10 for DMX values and traits.
5. After you have chosen your desired DMX Channel mode plug in the fixture via the XLR connections to any standard DMX controller.

**Slave Setting:**

1. Plug the fixture in and press the MODE button until “SLAv” is displayed. The unit now designate a “Slave” unit in a Master-Slave set up.

**UV Dimmer Mode:**

1. Plug the fixture in and press the MODE button until “u: XXX” is displayed. You are now in UV dimming mode. Press the UP and DOWN buttons to adjust intensity.
2. After you have adjusted the output intensity you can then activate strobing by pressing the SET UP button to enter the strobe mode.
3. “FS: XX” will be displayed, this is strobe mode. The strobe can be adjusted between “00” (flash off) to “15” (fastest flash).

**Dimmer Modes:**

This is used to set the dimming curve used with DMX mode. See page 18 for the different dimming modes.

1. Plug the fixture in and press the MODE button until the current DMX address is displayed.
2. Press the SET UP button until “dr-X” is displayed. “X” represents the displayed dimmer mode (0-4).
  - 0 - Standard
  - 1 - Stage
  - 2 - TV
  - 3 - Architectural
  - 4 - Theatre
3. Press the UP or DOWN buttons to scroll through and select your desired dimming mode.

**Auto Fade Mode:**

1. Plug the fixture in and press the MODE button until “Fd.XX” is displayed. This is Auto Fade mode.
2. Use the UP and DOWN buttons to adjust the fade speed. “1” being the slowest fade speed, and “16” being the fastest.

**ADJ Remote Activation:**

This function is used to activate and deactivate the IR sensor. When this function is activated you can control the fixture using either the ADJ UC IR or Airstream App. Please see page 16 for the controls and functions.

1. Plug the fixture in and press the MODE button until “dXX” is displayed. “XX” represents either “on” or “oFF”.
2. Press the SET UP button until “lrXX” is displayed. “XX” represents either “on” or “oF”.
3. Press the UP or DOWN buttons to either activate the remote function (On) or deactivate it (Off).

**WiFly On/Off and Wireless Addressing:**

This function is used to activate the WiFly control and set the WiFly address.

**NOTE: The address must match the address that is set to WiFly Transceiver or WiFly controller.**

1. Plug the fixture in and press the MODE button until “rCXX” is displayed. You are in wireless set up mode.
2. Press the UP or DOWN buttons the UP or DOWN buttons to turn the Wireless “On” or “Off”.
3. Press the SET UP button to enter the Wireless address menu. Use the UP or DOWN buttons to select your desired Wireless address.

**Default Running Mode:**

This is a default running mode. When this mode is activated all modes will return to their default settings and a Auto program will run.

1. Plug the fixture in and press the MODE button until “dXX” is displayed. “XX” represents either “on” or “oFF”.
2. Press the SET UP button until “dEFA” is displayed.
3. Press the UP and DOWN buttons at the same time.

**Master-Slave Configuration:**

This function will allow you to link units together to run in a Master-Slave mode. In Master-Slave operation one unit will act as the controlling unit and the others will react to the controlling units built-in programs. Any unit can act as a Master or as a Slave however, only one unit can be programmed to act as the “Master.”

**Master-Slave Connections and Settings:**

1. Daisy chain your units via the XLR connector on the rear of the unit. Use standard XLR data cables to link your units together. Remember that the Male XLR connector is the input and the Female XLR connector is the output. The first unit in the chain (master) will use the female XLR connector only. The last unit in the chain will use the male XLR connector only.
2. Set the “Master” unit to your desired mode of operation.
3. On the “Slave” units press the MODE button until “SLAv” is displayed. The unit is now set as the “Slave” unit. Each slave unit must be set to the same setting.
4. Connect the first “Slave” unit to the “Master”, and the “Slave” unit should now start to fall in line and follow the “Master”.



## UV 72IP

## WiFly Set Up

With this feature you are able to control the unit with DMX without the need of XLR cables. Your DMX controller must be connected to a ADJ WiFly Transceiver to use this function. You are able to communicate up to 2500 feet/760 meters (open line of sight).

1. Turn on the WiFly function using the instructions on page 14.
2. Follow the instructions on page 14 to set the Wireless address. The address must match the address set on the WiFly Transceiver.
3. After you have set the WiFly address, follow the DMX instructions on page 12 to select your desired DMX Channel mode and set your DMX address.
4. Apply power to the ADJ WiFly Transceiver. The fixture must be set up first before you apply power to WiFly Transceiver.

**Note:** If the sync does not work, switch the WiFly power off then on again.

## UV 72IP

## WiFly Master-Slave Set Up

This feature will let you link units to run in a master-slave mode without the use of XLR cables.

1. Follow the instructions on page 14 to set the Wireless address. The addresses on each fixture must be the same.
2. After you have set the WiFly address, select your master unit and set your desired operating mode.
3. Turn on the WiFly function using the instructions on page 14.
4. For the Slave units, put the unit in Slave mode. See page 15 Master-Slave configuration when setting the unit as a Slave. Then switch ON the WiFly power.

**NOTE: If they do not sync up master-slave, switch the Master fixtures WiFly off then on again.**

## UV 72IP

## UC IR & Airstream App Control

The **UC IR** infrared remote gives you control of various functions. To control the fixture you must aim the remote at the front of the fixture and be no more than 30 feet away. To use the ADJ UC IR you must first activate the fixtures infrared sensor, to activate the sensor please see the instructions on page 13.

The **Airstream IR** remote transmitter plugs into the headphone jack of your iOS phone or tablet. To control your IR fixture you must raise the volume to the maximum on your iOS phone or tablet and aim the transmitter at the fixture sensor and be no more than 15 feet away. After you have purchased the Airstream IR transmitters, the app is a free download from the app store for your iOS phone or tablet. The app comes with 3 pages of control depending on the fixture you are using. Please see below for IR functions including the corresponding app page.

**Works with App page 1.**

**STAND BY** - Pressing this button will blackout the fixture.

**FULL ON** - Pressing this button will fully light up the unit.

**FADE/GOBO** - Press this button to activate fade mode. Use buttons 1-4 to select your desired fade speed. 1 being the slowest fade speed and 4 being the fastest fade speed.

**“DIMMER +” and “DIMMER -”** - Use these buttons to adjust the output intensity.

**STROBE** - Press this button to activate strobe mode. Use buttons 1-4 to select your desired strobe speed. 1 being the slowest strobe speed and 4 being the fastest strobe speed.

**COLOR** - Press this button to activate UV Dimmer mode. Adjust the output intensity using the “DIMMER +” and “DIMMER -” buttons.

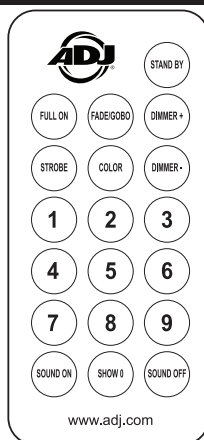
**1-4** - When in either fade mode or strobe mode, these buttons will allow you to adjust the fade speed and strobe speed.

**SHOW 0** - This button is invalid for this fixture.

**SOUND ON & OFF** - These button's are invalid for this fixture.

## UV 72IP

## UC IR Remote & Airstream IR Receiver



## UV 72IP

## Power Linking

*With this feature you can connect the fixtures to one another using a IP rated connector cable (sold separately). The quantity that can be connected is 7 fixtures maximum @ 120V and 13 fixtures maximum @ 240V. After the maximum amount of fixtures have been reached you will need to use a new power outlet. NOTE: USE CAUTION WHEN POWER LINKING OTHER FIXTURES TO THE UV 72IP AS THE POWER CONSUMPTION OF OTHER LIGHTING FIXTURES WILL VARY!*

## UV 72IP

## Trouble Shooting

Listed below are a few common problems the user may encounter, with solutions.

### Unit not responding to DMX:

1. Check that the DMX cables are connected properly and are wired correctly (pin 3 is “hot”; on some other DMX devices pin 2 may be ‘hot’). Also, check that all cables are connected to the right connectors; it does matter which way the inputs and outputs are connected.

## UV 72IP

## Cleaning

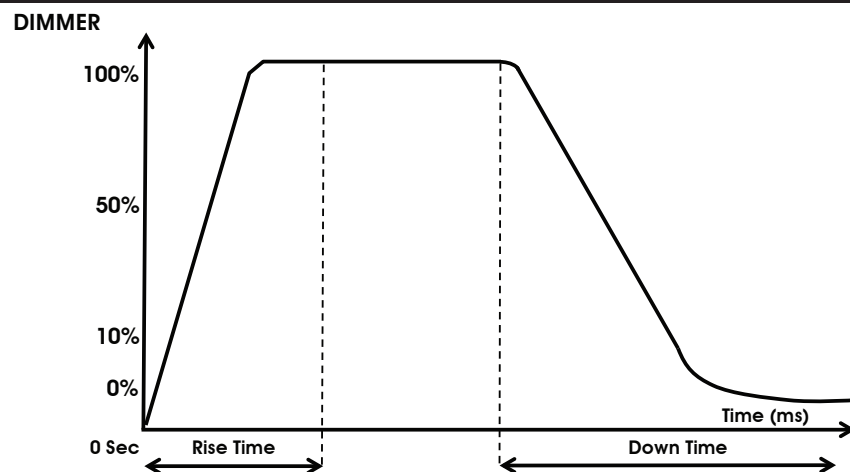
Due to fog residue, smoke, and dust cleaning the internal and external optical lenses must be carried out periodically to optimize light output.

1. Use normal glass cleaner and a soft cloth to wipe down the outside casing.
2. Clean the external optics with glass cleaner and a soft cloth every 20 days.
3. Always be sure to dry all parts completely before plugging the unit back in.

Cleaning frequency depends on the environment in which the fixture operates (i.e. smoke, fog residue, dust, dew).

## UV 72IP

## Dimmer Mode Chart



Dimming Curve Ramp Effect	0 sec Fade Time		1 sec Fade Time	
	Rise Time (ms)	Down Time (ms)	Rise Time (ms)	Down Time (ms)
Standard (default)	0	0	0	0
Stage	780	1100	1540	1660
TV	1180	1520	1860	1940
Architectural	1380	1730	2040	2120
Theatre	1580	1940	2230	2280

**MANUFACTURER'S LIMITED WARRANTY**

- A. ADJ Products, LLC hereby warrants, to the original purchaser, ADJ Products, LLC products to be free of manufacturing defects in material and workmanship for a prescribed period from the date of purchase (see specific warranty period on reverse). This warranty shall be valid only if the product is purchased within the United States of America, including possessions and territories. It is the owner's responsibility to establish the date and place of purchase by acceptable evidence, at the time service is sought.
- B. For warranty service you must obtain a Return Authorization number (RA#) before sending back the product—please contact ADJ Products, LLC Service Department at 800-322-6337. Send the product only to the ADJ Products, LLC factory. All shipping charges must be pre-paid. If the requested repairs or service (including parts replacement) are within the terms of this warranty, ADJ Products, LLC will pay return shipping charges only to a designated point within the United States. If the entire instrument is sent, it must be shipped in its original package. No accessories should be shipped with the product. If any accessories are shipped with the product, ADJ Products, LLC shall have no liability whatsoever for loss of or damage to any such accessories, nor for the safe return thereof.
- C. This warranty is void if the serial number has been altered or removed; if the product is modified in any manner which ADJ Products, LLC concludes, after inspection, affects the reliability of the product; if the product has been repaired or serviced by anyone other than the ADJ Products, LLC factory unless prior written authorization was issued to purchaser by ADJ Products, LLC; if the product is damaged because not properly maintained as set forth in the instruction manual.
- D. This is not a service contract, and this warranty does not include maintenance, cleaning or periodic check up. During the period specified above, ADJ Products, LLC will replace defective parts at its expense with new or refurbished parts, and will absorb all expenses for warranty service and repair labor by reason of defects in material or workmanship. The sole responsibility of ADJ Products, LLC under this warranty shall be limited to the repair of the product, or replacement thereof, including parts, at the sole discretion of ADJ Products, LLC. All products covered by this warranty were manufactured after August 15, 2012, and bear identifying marks to that effect.
- E. ADJ Products, LLC reserves the right to make changes in design and/or improvements upon its products without any obligation to include these changes in any products theretofore manufactured.

No warranty, whether expressed or implied, is given or made with respect to any accessory supplied with products described above. Except to the extent prohibited by applicable law, all implied warranties made by ADJ Products, LLC in connection with this product, including warranties of merchantability or fitness, are limited in duration to the warranty period set forth above. And no warranties, whether expressed or implied, including warranties of merchantability or fitness, shall apply to this product after said period has expired. The consumer's and/or Dealer's sole remedy shall be such repair or replacement as is expressly provided above; and under no circumstances shall ADJ Products, LLC be liable for any loss or damage, direct or consequential, arising out of the use of, or inability to use, this product.

This warranty is the only written warranty applicable to ADJ Products, LLC Products and supersedes all prior warranties and written descriptions of warranty terms and conditions heretofore published.

**MANUFACTURER'S LIMITED WARRANTY PERIODS:**

- **Non L.E.D. Lighting Products = 1-year (365 days) Limited Warranty** (Such as: Special Effect Lighting, Intelligent Lighting, UV lighting, Strobos, Fog Machines, Bubble Machines, Mirror Balls, Par Cans, Trussing, Lighting Stands etc. excluding LED and lamps)
- **Laser Products = 1 Year (365 Days) Limited Warranty** (excluding laser diodes which have a 6 month limited warranty)
- **L.E.D. Products = 2-year (730 days) Limited Warranty** (excluding batteries which have a 180 day limited warranty). **Note: 2 Year Warranty only applies to purchases within the United States.**
- **StarTec Series = 1 Year Limited Warranty** (excluding batteries which have a 180 day limited warranty).
- **ADJ DMX Controllers = 2 Year (730 Days) Limited Warranty**

**Model: UV 72IP**

Voltage:	100V ~ 240V/50~60Hz
LEDs:	24 x 3W UV LEDs
IP Rating:	65
Wavelength:	390-410nm
Beam Angle:	33 Degrees
Working Position:	Any safe working position
Power Draw:	84W
Multiple Unit Power Link:	7 Fixtures Max. (120V) 13 Fixtures Max. (240V)
Weight:	12lbs./ 5.5 Kgs.
Dimensions:	10.5" (L) x 13.75" (W) x 15" (H) 270 x 350 x 380mm
Colors:	UV
DMX Channels:	3 DMX Modes: 1/2/3
Warranty:	2 Year (730 days)

**Please Note:** Specifications and improvements in the design of this unit and this manual are subject to change without any prior written notice.

ADJ Products, LLC  
6122 S. Eastern Ave. Los Angeles, CA 90040 USA  
Tel: 323-582-2650 / Fax: 323-725-6100  
Web: [www.adj.com](http://www.adj.com) / E-mail: [info@americandj.com](mailto:info@americandj.com)

A.D.J. Supply Europe B.V.  
Junostraat 2  
6468 EW Kerkrade  
The Netherlands

Follow Us On:



[facebook.com/americandj](https://facebook.com/americandj)  
[twitter.com/americandj](https://twitter.com/americandj)  
[youtube.com/adjlighting](https://youtube.com/adjlighting)

[service@adjgroup.eu](mailto:service@adjgroup.eu) / [www.adj.eu](http://www.adj.eu)  
Tel: +31 45 546 85 00 / Fax: +31 45 546 85 99