

# **Pro Event IBeam**

Installation guide

©2018 ADJ PRODUCTS LLC all rights reserved. Information, specifications, diagrams, images, and instructions herein are subject to change without notice. ADJ logo and identifying product names and numbers herein are trademarks of ADJ PRODUCTS LLC. Copyright protection claimed includes all forms and matters of copyrightable materials and information now allowed by statutory or judicial law or hereinafter granted. Product names used in this document may be trademarks or registered trademarks of their respective companies and are hereby acknowledged. All non-ADJ brands and product names are trademarks or registered trademarks of their respective companies.

**ADJ PRODUCTS LLC** and all affiliated companies hereby disclaim any and all liabilities for property, equipment, building, and electrical damages, injuries to any persons, and direct or indirect economic loss associated with the use or reliance of any information contained within this document, and/or as a result of the improper, unsafe, insufficient and negligent assembly, installation, rigging, and operation of this product.

### **ADJ PRODUCTS LLC World Headquarters**

6122 S. Eastern Ave. | Los Angeles, CA 90040 USA

Tel: 800-322-6337 | Fax: 323-582-2941 | [www.adj.com](http://www.adj.com) | [support@americandj.com](mailto:support@americandj.com)

### **ADJ Supply Europe B.V.**

Junostraat 2 | 6468 EW Kerkrade | Netherlands

Tel: +31 45 546 85 00 | Fax: +31 45 546 85 99 | [www.americandj.eu](http://www.americandj.eu) | [service@adjgroup.eu](mailto:service@adjgroup.eu)

### **Follow Us On:**



[facebook.com/americandj](https://facebook.com/americandj)

[twitter.com/americandj](https://twitter.com/americandj)

[youtube.com/adjlighting](https://youtube.com/adjlighting)

## **D O C U M E N T   V E R S I O N**

Please check [www.adj.com](http://www.adj.com) for the latest revision/update of this guide.

| <b>Date</b> | <b>Document Version</b> | <b>Notes</b>     |
|-------------|-------------------------|------------------|
| 04/27/18    | 2                       | Updated version. |

# CONTENTS

|                                    |    |
|------------------------------------|----|
| General Information                | 4  |
| Limited Warranty                   | 6  |
| Safety Instructions and Guidelines | 7  |
| Overview                           | 9  |
| Installation                       | 10 |
| Specifications                     | 12 |
| Optional Accessories               | 13 |

# **GENERAL INFORMATION**

## **INTRODUCTION**

Please read and understand the instructions in this manual carefully and thoroughly before attempting to operate this product. These instructions contain important safety and use information.

## **UNPACKING**

Carefully check the shipping carton for damage that may have occurred during shipping. If the carton appears to be damaged, carefully inspect all included hardware pieces for damage and be sure all accessories necessary to install the unit have arrived intact. In the event damage has been found or parts are missing, please contact our customer support team for further instructions. Please do not return this product to your dealer without first contacting customer support at the number listed below. Please do not discard the shipping carton in the trash. Please recycle whenever possible.

## **BOX CONTENTS**

CROSS BAR LEFT (x1)

CROSS BAR RIGHT (x1)

UPPER TUBE (x2)

LOWER TUBE (x2)

TUBE CLAMP LEFT (x4)

TUBE CLAMP RIGHT (x4)

TUBE CLAMP THUMBSCREWS (x4)

SMALL THUMBSCREWS (x4)

CARRYING BAG

## **CUSTOMER SUPPORT**

ADJ® provides a customer support line, to provide set up help and to answer any question should you encounter problems during your set up or initial operation. You may also visit us on the web at [www.adj.com](http://www.adj.com) for any comments or suggestions. For service related issue please contact ADJ.

### **ADJ SERVICE USA - Monday - Friday 8:00am to 4:30pm PST**

**Voice: 800-322-6337**

**Fax: 323-532-2941**

E-mail: [support@americandj.com](mailto:support@americandj.com)

### **ADJ GROUP SERVICE EUROPE - Monday - Friday 08:30 to 17:00 CET**

**Voice: +31 45 546 85 30**

**Fax: +31 45 546 85 96**

E-mail: [support@adjgroup.eu](mailto:support@adjgroup.eu)

## **WARRANTY REGISTRATION**

Please complete and mail in the enclosed warranty card to validate your purchase. All returned service items whether under warranty or not, must be freight pre-paid and accompany a return authorization (R.A.) number. The R.A. number must be clearly written on the outside of the return package. A brief description of the problem as well as the R.A. number must also be written down on a piece of paper and included in the shipping container. If the unit is under warranty, you must provide a copy of your proof of purchase invoice. Items returned without a R.A. number clearly marked on the outside of the package will be refused and returned at customer's expense. You may obtain a R.A. number by contacting customer support.

## **IMPORTANT NOTICE!**

**THERE ARE NO USER SERVICEABLE PARTS INSIDE THIS PRODUCT. DO NOT ATTEMPT ANY REPAIRS YOURSELF; DOING SO WILL VOID THE WARRANTY. DAMAGES RESULTING FROM MODIFICATIONS TO THIS PRODUCT AND/OR THE DISREGARD OF SAFETY AND OPERATION INSTRUCTIONS IN THIS DOCUMENT VOIDS THE MANUFACTURES WARRANTY AND ARE NOT SUBJECT TO ANY WARRANTY CLAIMS AND/OR REPAIRS.**

# LIMITED WARRANTY

A. ADJ Products, LLC hereby warrants, to the original purchaser, ADJ Products, LLC products to be free of manufacturing defects in material and workmanship for a prescribed period from the date of purchase (see specific warranty periods below). This warranty shall be valid only if the product is purchased within the United States of America, including possessions and territories. It is the owner's responsibility to establish the date and place of purchase by acceptable evidence, at the time service is sought.

B. For warranty service you must obtain a Return Authorization number (RA#) before sending back the product—please contact ADJ Products, LLC Service Department at 800-322-6337. Send the product only to the ADJ Products, LLC factory. All shipping charges must be pre-paid. If the requested repairs or service (including parts replacement) are within the terms of this warranty, ADJ Products, LLC will pay return shipping charges only to a designated point within the United States. If the entire instrument is sent, it must be shipped in its original package. No accessories should be shipped with the product. If any accessories are shipped with the product, ADJ Products, LLC shall have no liability whatsoever for loss of or damage to any such accessories, or for the safe return thereof.

C. This warranty is void if the serial number has been altered or removed; if the product is modified in any manner which ADJ Products, LLC concludes, after inspection, affects the reliability of the product; if the product has been repaired or serviced by anyone other than the ADJ Products, LLC factory unless prior written authorization was issued to purchaser by ADJ Products, LLC; if the product is damaged because not properly maintained as set forth in the instruction manual.

D. This is not a service contract, and this warranty does not include maintenance, cleaning or periodic check up. During the period specified above, ADJ Products, LLC will replace defective parts at its expense with new or refurbished parts, and will absorb all expenses for warranty service and repair labor by reason of defects in material or workmanship. The sole responsibility of ADJ Products, LLC under this warranty shall be limited to the repair of the product, or replacement thereof, including parts, at the sole discretion of ADJ Products, LLC. All products covered by this warranty were manufactured after August 15, 2012, and bear identifying marks to that effect.

E. ADJ Products, LLC reserves the right to make changes in design and/or improvements upon its products without any obligation to include these changes in any products theretofore manufactured. No warranty, whether expressed or implied, is given or made with respect to any accessory supplied with products described above. Except to the extent prohibited by applicable law, all implied warranties made by ADJ Products, LLC in connection with this product, including warranties of merchantability or fitness, are limited in duration to the warranty period set forth above. And no warranties, whether expressed or implied, including warranties of merchantability or fitness, shall apply to this product after said period has expired. The consumer's and/or Dealer's sole remedy shall be such repair or replacement as is expressly provided above; and under no circumstances shall ADJ Products, LLC be liable for any loss or damage, direct or consequential, arising out of the use of, or inability to use, this product. This warranty is the only written warranty applicable to ADJ Products, LLC Products and supersedes all prior warranties and written descriptions of warranty terms and conditions heretofore published.

## LIMITED WARRANTY PERIODS

**Non LED Lighting Products = 1-Year (365 Days)** (Including Special Effect Lighting, Intelligent Lighting, UV lighting, Strobes, Fog Machines, Bubble Machines, Mirror Balls, Par Cans, Trussing, Lighting Stands, Power/Data Distribution, etc. excluding LED and lamps)

**Laser Products = 1-Year (365 Days)** (excluding laser diodes which have a 6-Month Limited Warranty)

**LED Products = 2-Years (730 Days)** (excluding batteries which have a 180 Day Limited Warranty)

**NOTE: 2-Year (730 Days) Limited Warranty ONLY applies to product purchased within the United States.**

**StarTec Series = 1-Year (365 Days)** (excluding batteries which have a 180 Day Limited Warranty)

**ADJ DMX Controllers = 2 Years (730 Days) | American Audio Products = 1 Year (365 Days)**

**Color Strand LED - 2 Years (730 Days)** (Strands and Bulbs damaged due to improper handling and/or use are not covered)

# SAFETY INSTRUCTIONS AND GUIDELINES

For proper operation, follow the installation guidelines described in this document. Only qualified and certified personnel should perform installation of this product. Any modifications to any part or parts of this product will void the original manufacturer's warranty and increase the risk of damage and/or personal injury. To guarantee a smooth operation, it is important to follow the guidelines in this document. The manufacturer of this product will not accept responsibility for damages resulting from the misuse and/or disregard of the information printed in this document.

**DO NOT** ATTEMPT INSTALLATION AND/OR OPERATION WITHOUT KNOWLEDGE HOW TO DO SO.

**DO NOT** ALLOW INSTALLATION BY PERSONS WHO ARE NOT QUALIFIED TO DO SO.

**DO NOT** POSITION PRODUCT CLOSE TO ANY **FLAMMABLE MATERIALS**.

**AVOID** BRUTE FORCE DURING INSTALLATION.

**DO NOT** MODIFY ANY PART OF THE PRODUCT INCLUDING ANY INCLUDED HARDWARE ACCESSORIES.

**DO NOT** DISASSEMBLE PRODUCT WHEN LIGHTING FIXTURES ARE ATTACHED.

**ALWAYS** REMOVE ALL LIGHTING FIXTURES FROM PRODUCT BEFORE DISASSEMBLING PRODUCT.

**DO NOT** ATTACH ANY LIGHTING FIXTURES TO THE **CROSS BARS** UNTIL ALL (4) INCLUDED TUBE CLAMPS ARE SECURELY FASTENED TO THE **PRO EVENT TABLE/PRO EVENT TABLE II**.

**DO NOT** USE THE **PRO EVENT IBEAM** IF ANY OF THE (4) TUBE CLAMPS ARE DAMAGED OR MISSING!

**DO NOT** LOAD MORE THAN **80 lbs (36kg)** COMBINED WEIGHT OF FIXTURES ONTO THE **CROSS BARS**!

ALL LIGHTING FIXTURES MUST BE ATTACHED TO THE **CROSS BARS** WITH A **SAFETY CABLE**!

MAKE SURE TO LOAD BALANCE THE LIGHTING FIXTURES ATTACHED TO THE **CROSS BARS**!

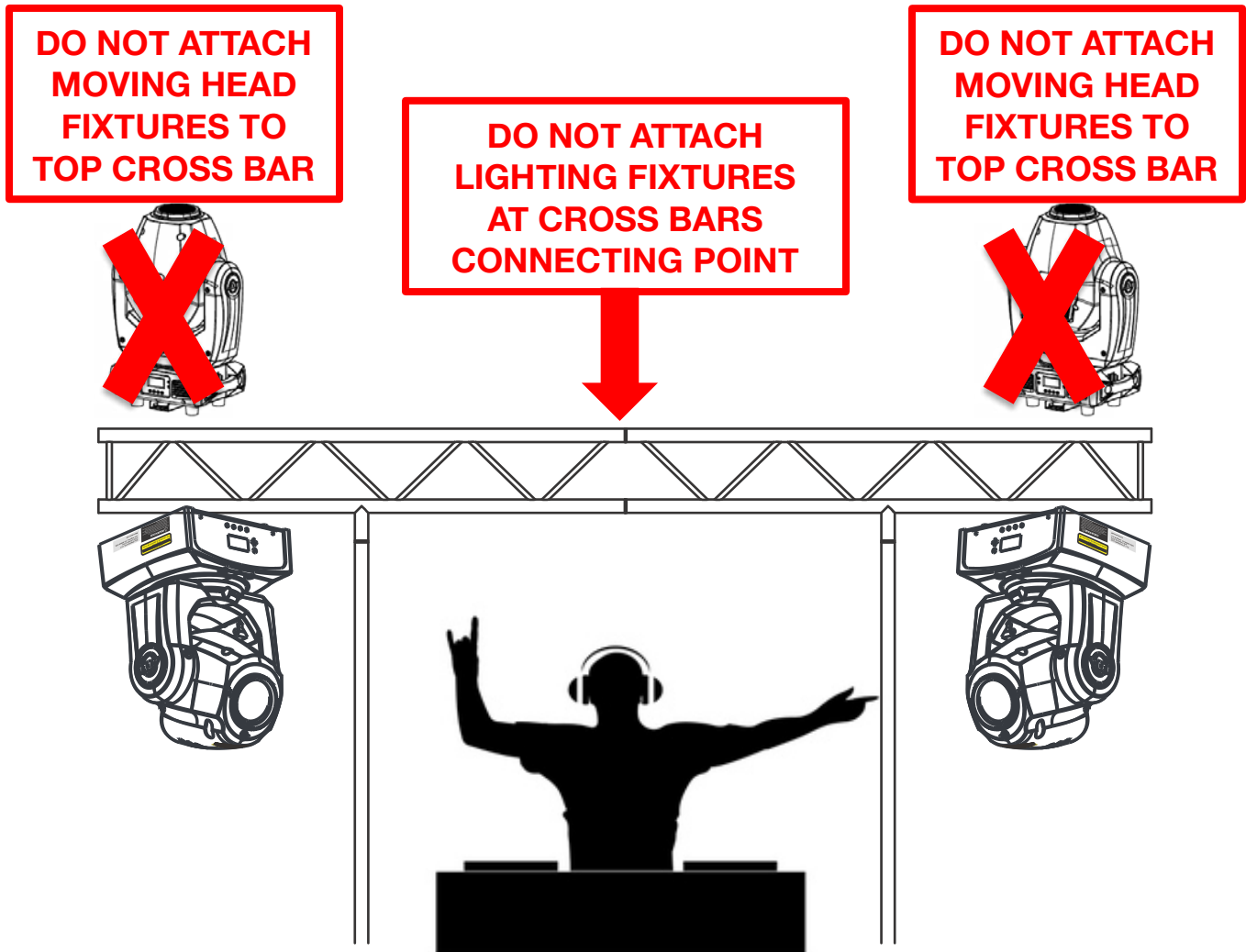
SPACE THE LIGHTING FIXTURES EVENLY ON THE **CROSS BARS** FROM LEFT TO RIGHT!

**DO NOT** ATTACH A SINGLE HEAVY WEIGHTED LIGHTING FIXTURE ON ONE SIDE OF THE **CROSS BARS**, WITHOUT HAVING AN EQUAL AMOUNT OF WEIGHT ATTACHED TO THE OTHER SIDE! FOR EXAMPLE, DO NOT ATTACH A HEAVY MOVING HEAD ON ONE SIDE AND A LIGHTER PAR FIXTURE ON THE OTHER SIDE!

# SAFETY INSTRUCTIONS AND GUIDELINES

**DO NOT** ATTACH LIGHTING FIXTURES WHERE CROSS BARS CONNECT TOGETHER. (See below)

**DO NOT** ATTACH MOVING HEAD FIXTURES TO THE TOP CROSS BARS. ALL MOVING HEAD FIXTURES MUST BE ATTACHED INVERTED FROM THE BOTTOM CROSS BARS ONLY. (See below)



**DO NOT POSITION LIGHT OUTPUT BEAMS IN DIRECT LINE OF SIGHT OF THE DJ.**



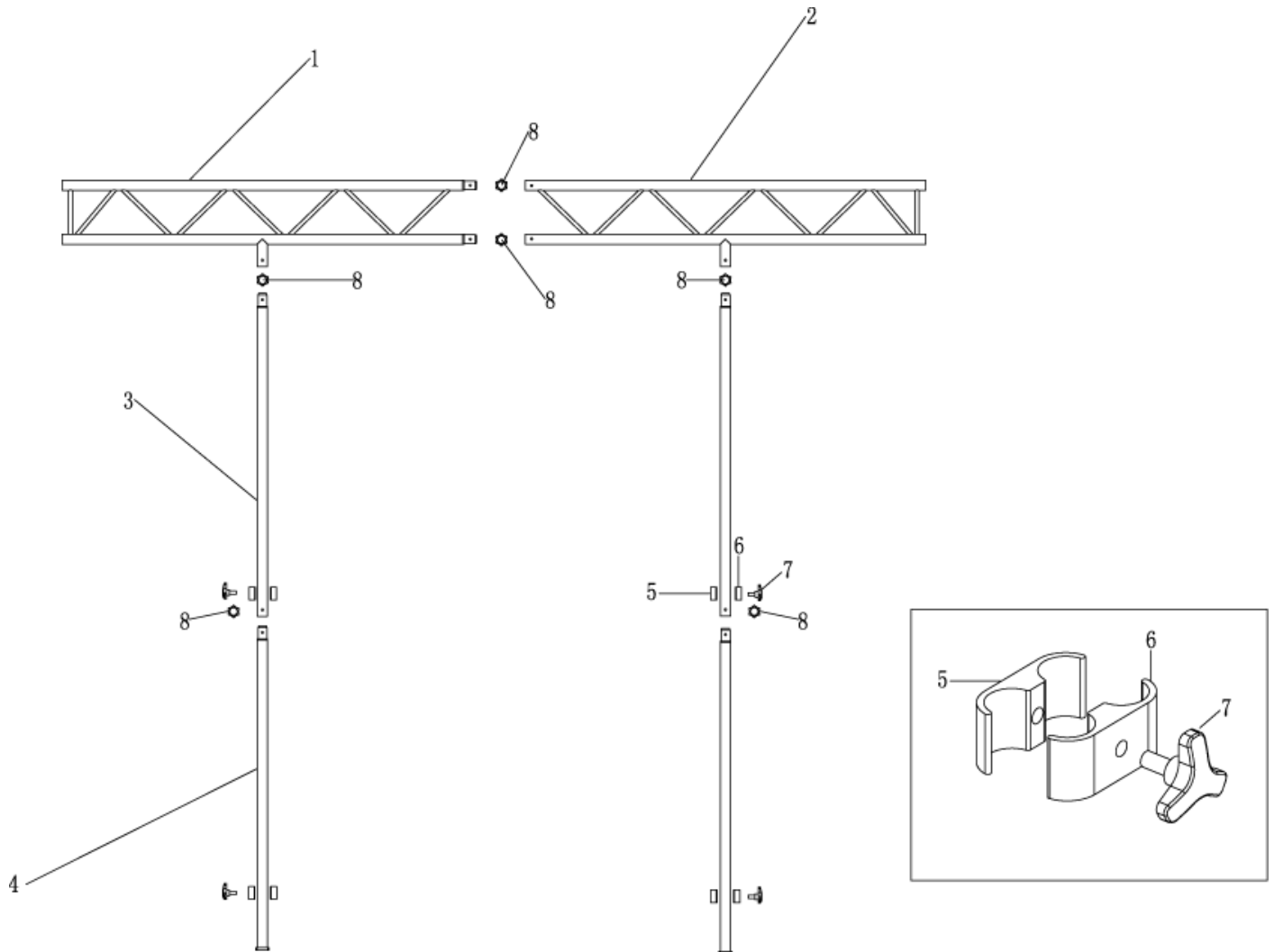
**NEVER LOOK DIRECTLY INTO THE LIGHT SOURCE!**

**RETINA INJURY RISK - MAY INDUCE BLINDNESS!**

**SENSITIVE PERSONS MAY SUFFER AN EPILEPTIC SHOCK!**



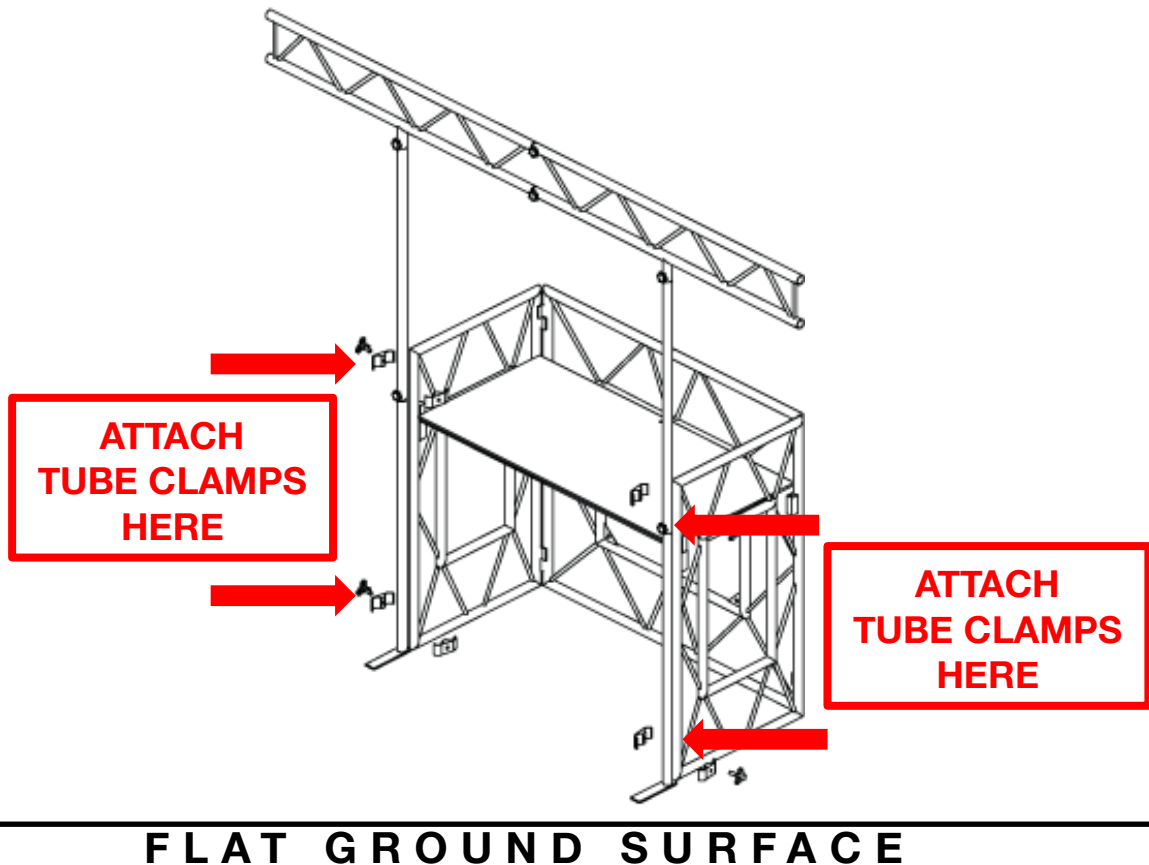
# OVERVIEW

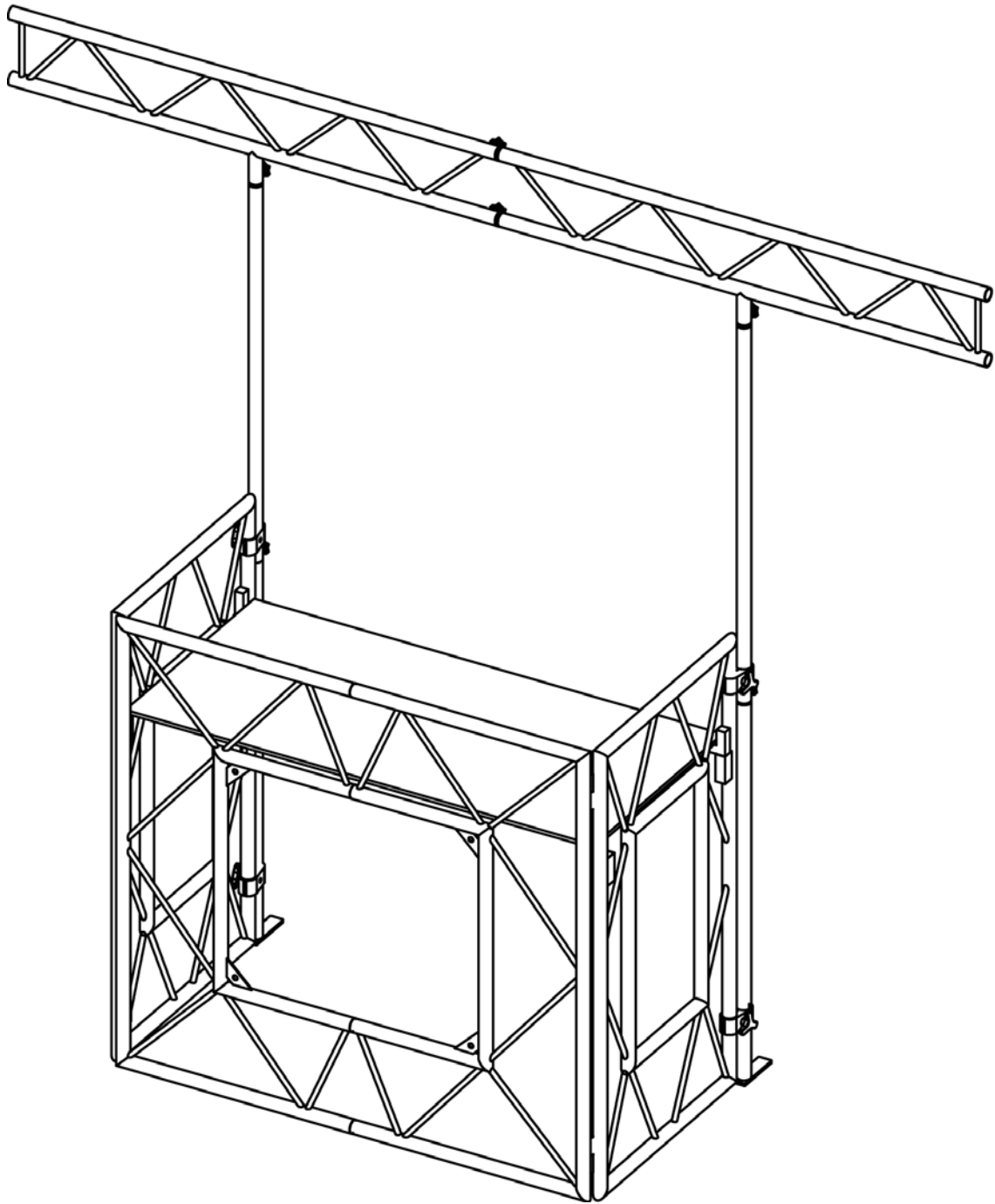


- 1. CROSS BAR LEFT (x1)
- 2. CROSS BAR RIGHT (x1)
- 3. UPPER TUBR (x2)
- 4. LOWER TUBE (x2)
- 5. TUBE CLAMP LEFT (x4)
- 6. TUBE CLAMP RIGHT (x4)
- 7. TUBE CLAMP THUMBSCREWS (x4)
- 8. SMALL THUMBSCREWS (x6)

# INSTALLATION

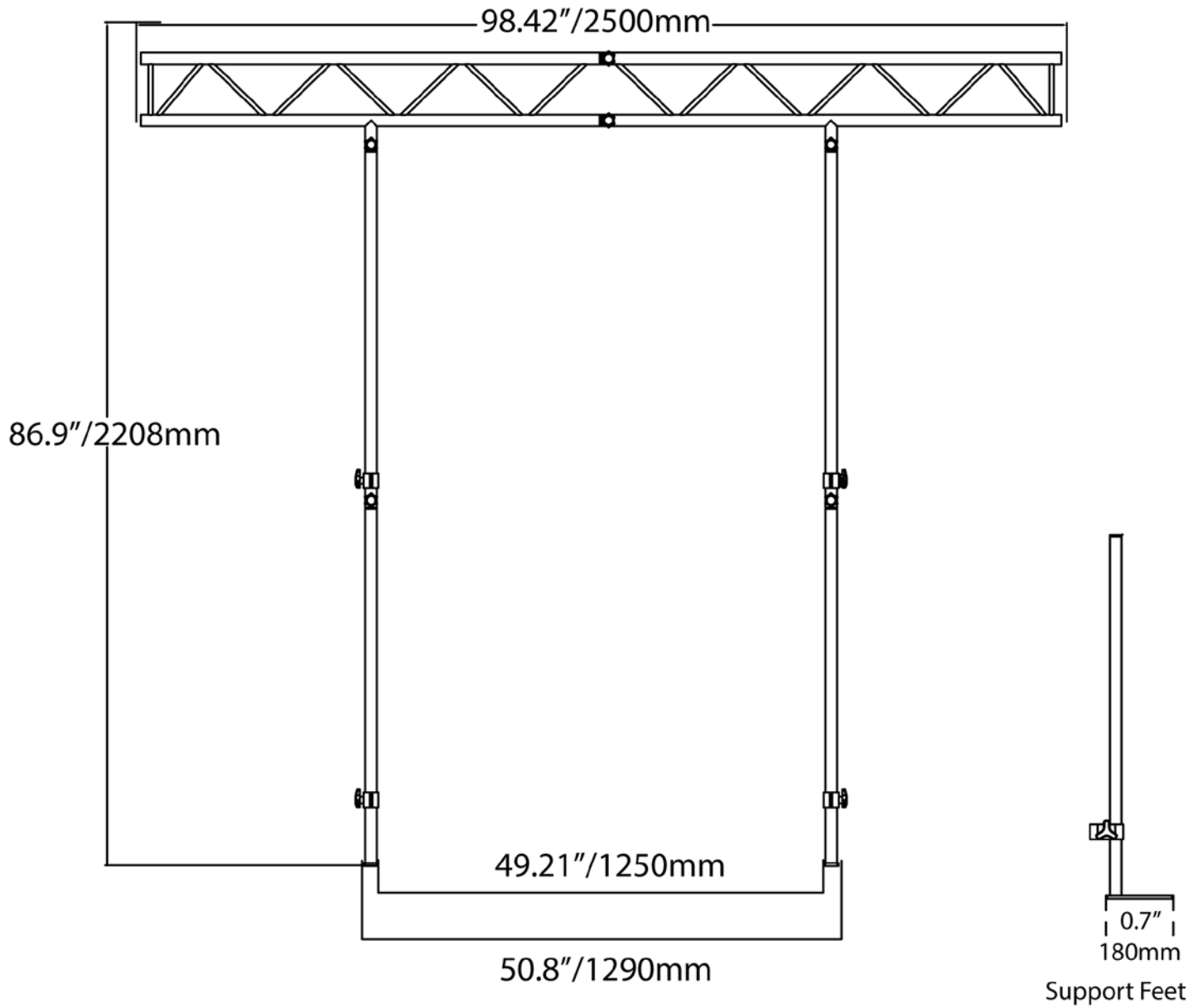
1. Make sure the **PRO EVENT TABLE/PRO EVENT TABLE II** is completely and securely installed as per the included instructions and make sure it is installed on a flat ground surface. (See image below)
2. Place all hardware pieces on the ground, checking all included parts are available. (See list on page 10)
3. Connect **LEFT** and **RIGHT CROSS BARS** together, securing with (2) Small Thumbscrews.
4. Connect both pairs of **UPPER** and **LOWER TUBES** together, securing with (2) Small Thumbscrews.
5. Connect both pairs of **UPPER/LOWER TUBE** sections to the **LEFT/RIGHT CROSS BARS**, securing with (2) Thumbscrews, facing the tube support feet away from the **PRO EVENT TABLE**.
6. Raise **IBEAM** up and position against backside of the **PRO EVENT TABLE**.
7. Connect **IBEAM** to **PRO EVENT TABLE** securing with (4) Tube Clamp sets. Connect 1 Clamp to the upper and 1 Clamp to the lower section on each side of the **PRO EVENT TABLE**. (See image below)  
**ONLY USE INCLUDED HARDWARE TO CONNECT PRO EVENT IBEAM TO PRO EVENT TABLE.**
8. Confirm all (4) Tube Clamps are securely attached to the **PRO EVENT TABLE** and both **PRO EVENT IBEAM SUPPORT FEET** are flat and touching the floor before attaching any lighting fixtures.
9. Carefully attach lighting fixtures to **CROSS BARS** following guidelines on pages 8 and 9.





# SPECIFICATIONS

## DIMENSIONAL DRAWING



# OPTIONAL ACCESSORIES

| ORDER CODE | ITEM                              |
|------------|-----------------------------------|
| PRO718     | PRO EVENT TABLE                   |
| PRO100     | PRO EVENT TABLE II                |
| JR-CLAMP   | Medium Duty Clamp for 35mm Tubing |

